



Chipsmall Limited consists of a professional team with an average of over 10 year of expertise in the distribution of electronic components. Based in Hongkong, we have already established firm and mutual-benefit business relationships with customers from,Europe,America and south Asia,supplying obsolete and hard-to-find components to meet their specific needs.

With the principle of “Quality Parts,Customers Priority,Honest Operation,and Considerate Service”,our business mainly focus on the distribution of electronic components. Line cards we deal with include Microchip,ALPS,ROHM,Xilinx,Pulse,ON,Everlight and Freescale. Main products comprise IC,Modules,Potentiometer,IC Socket,Relay,Connector.Our parts cover such applications as commercial,industrial, and automotives areas.

We are looking forward to setting up business relationship with you and hope to provide you with the best service and solution. Let us make a better world for our industry!



Contact us

Tel: +86-755-8981 8866 Fax: +86-755-8427 6832

Email & Skype: info@chipsmall.com Web: www.chipsmall.com

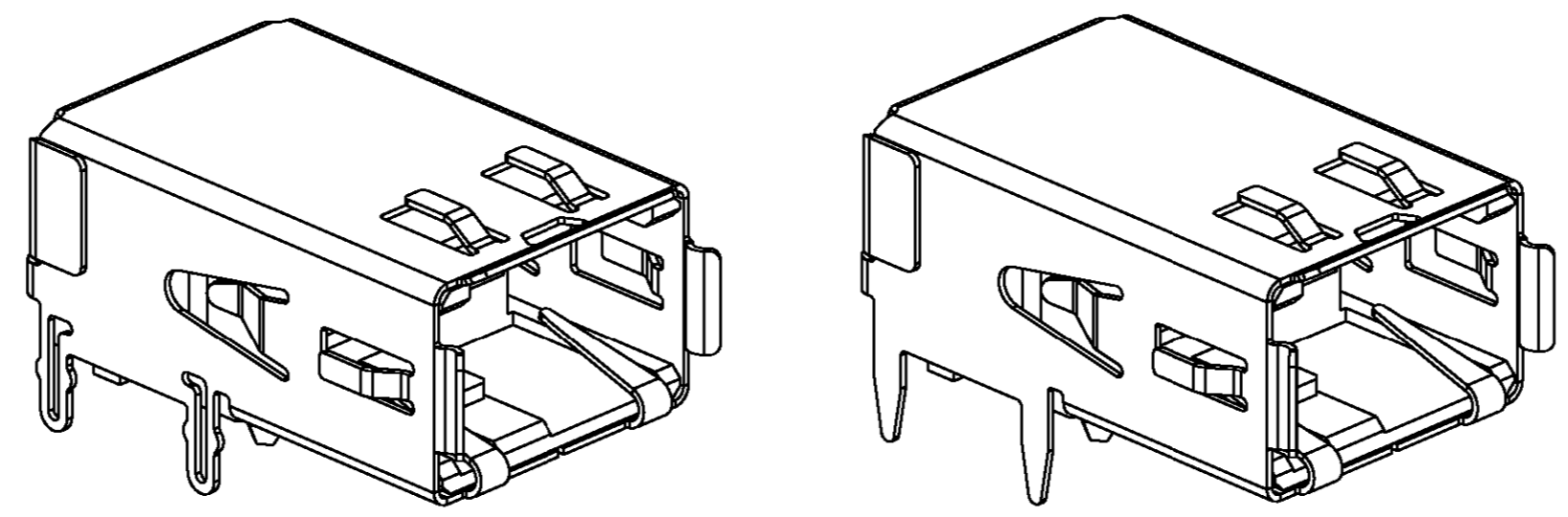
Address: A1208, Overseas Decoration Building, #122 Zhenhua RD., Futian, Shenzhen, China



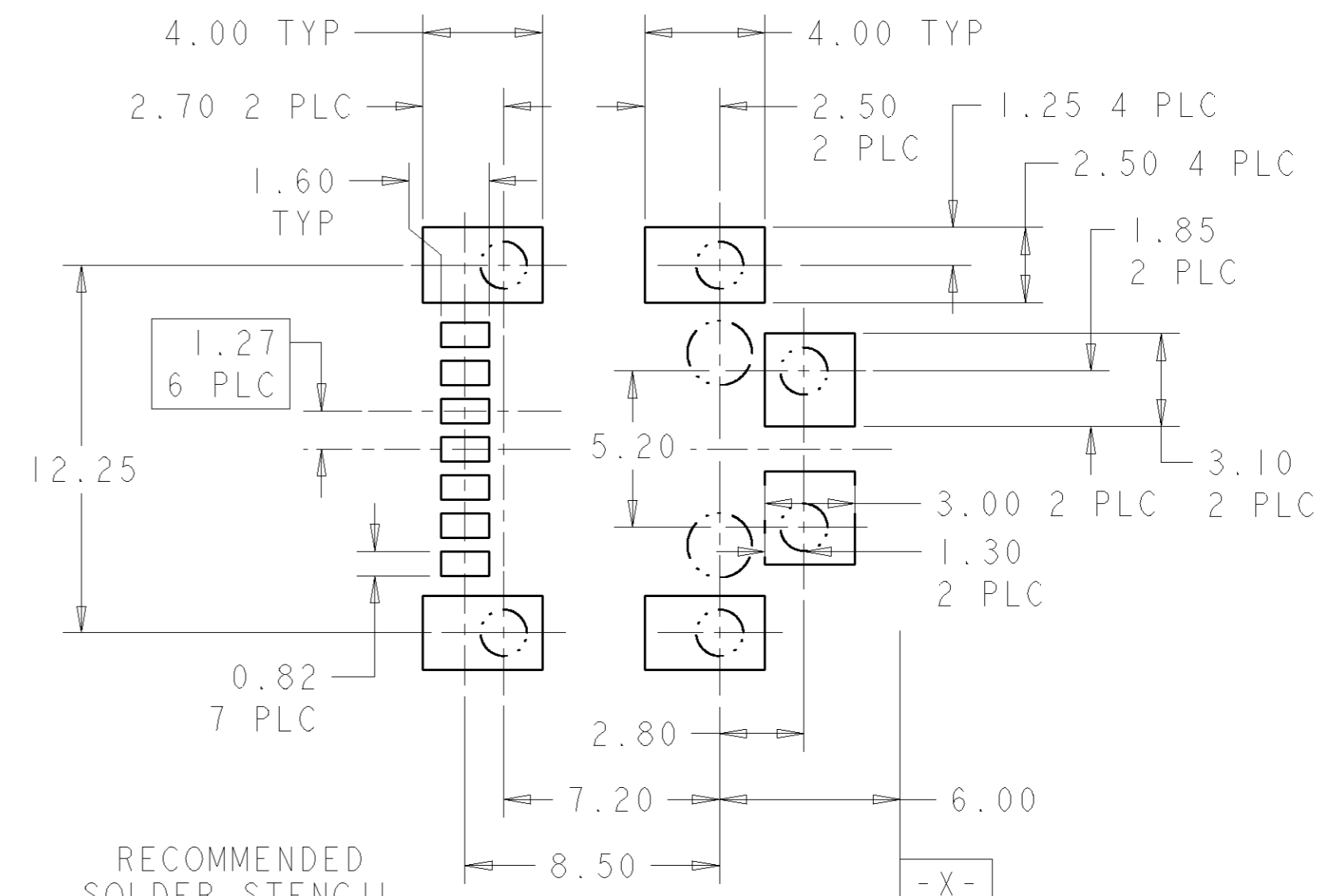
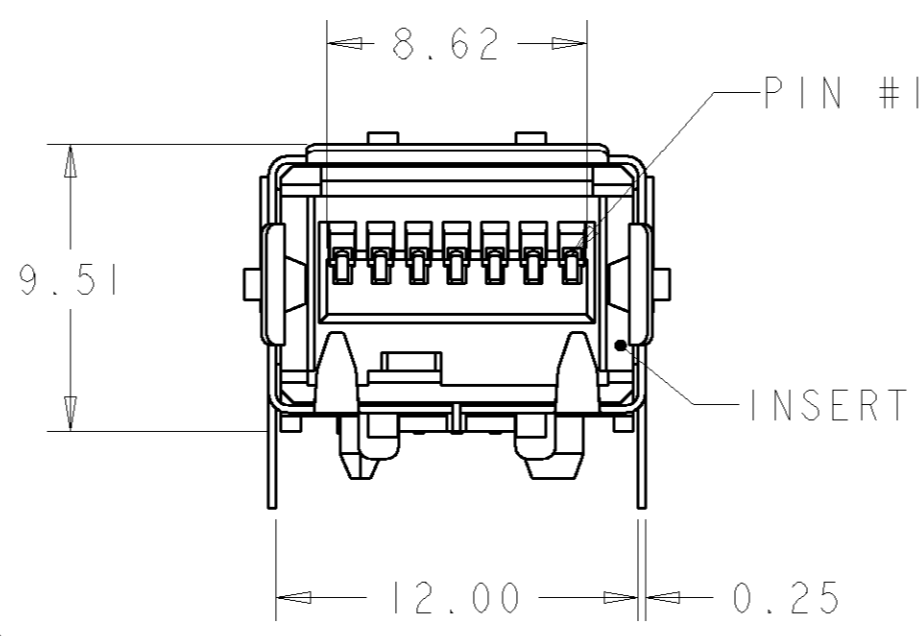
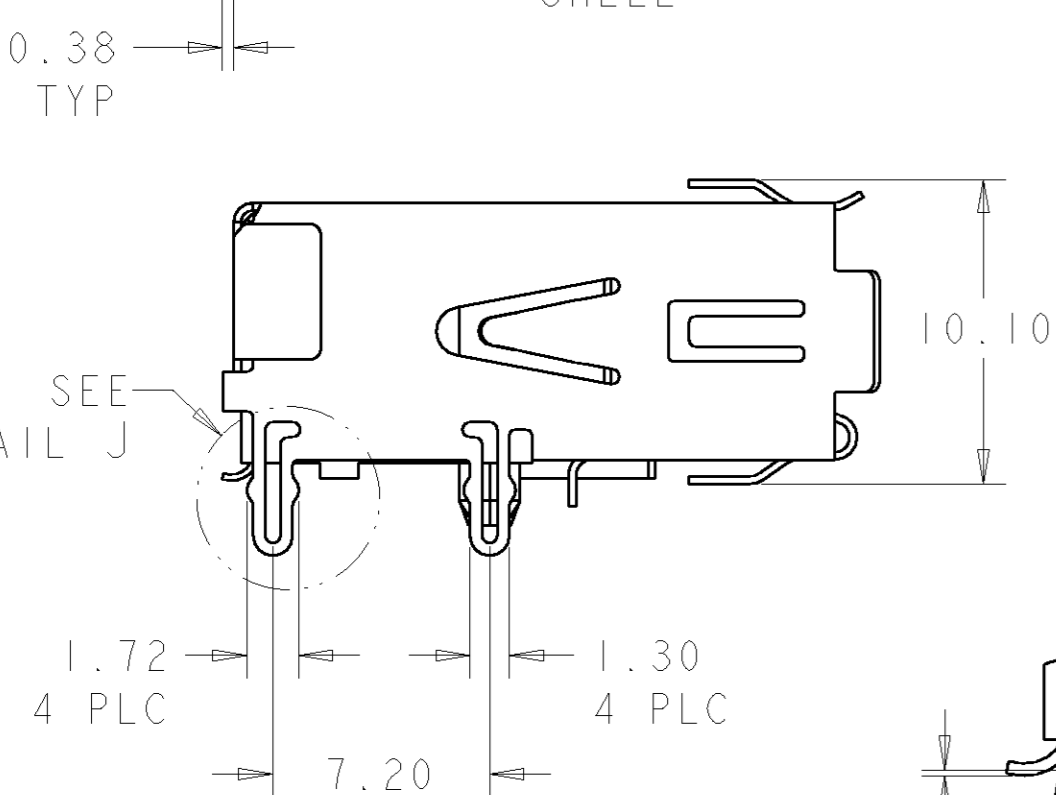
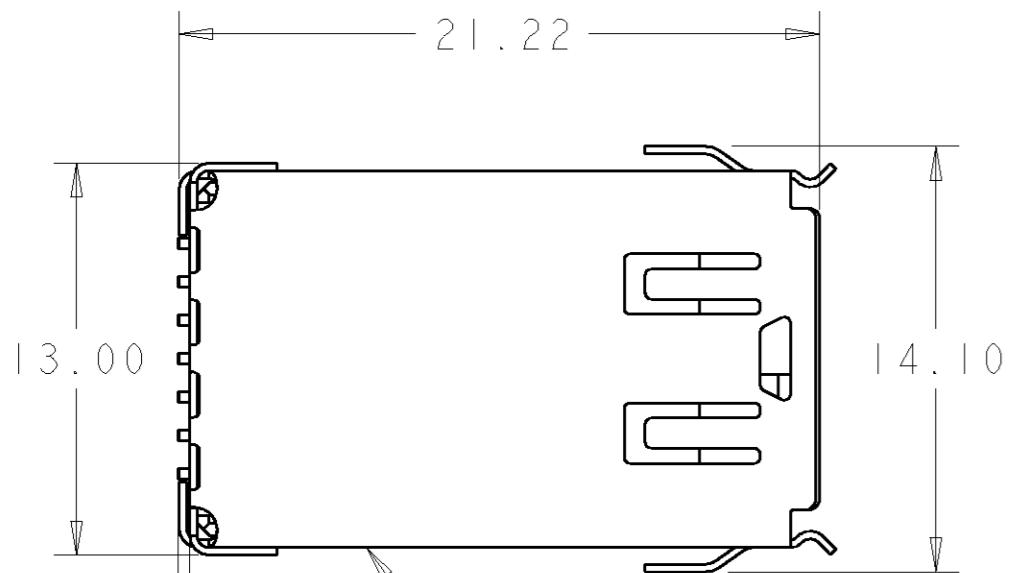
THIS DRAWING IS UNPUBLISHED. RELEASED FOR PUBLICATION 20
 © COPYRIGHT 20 BY TYCO ELECTRONICS CORPORATION. ALL RIGHTS RESERVED.

LOC	DIST	REVISIONS					
GP	00	P	LTR	DESCRIPTION	DATE	DWN	APVD
		0		RELEASED PER EC 0S13-0130-04	23APR04	JG	CR
		A		REVISED PER ECO-06-007876	12DEC06	JDP	SAS
		AI		REVISED PER ECO-06-029973	22DEC2006	CJV	SAS

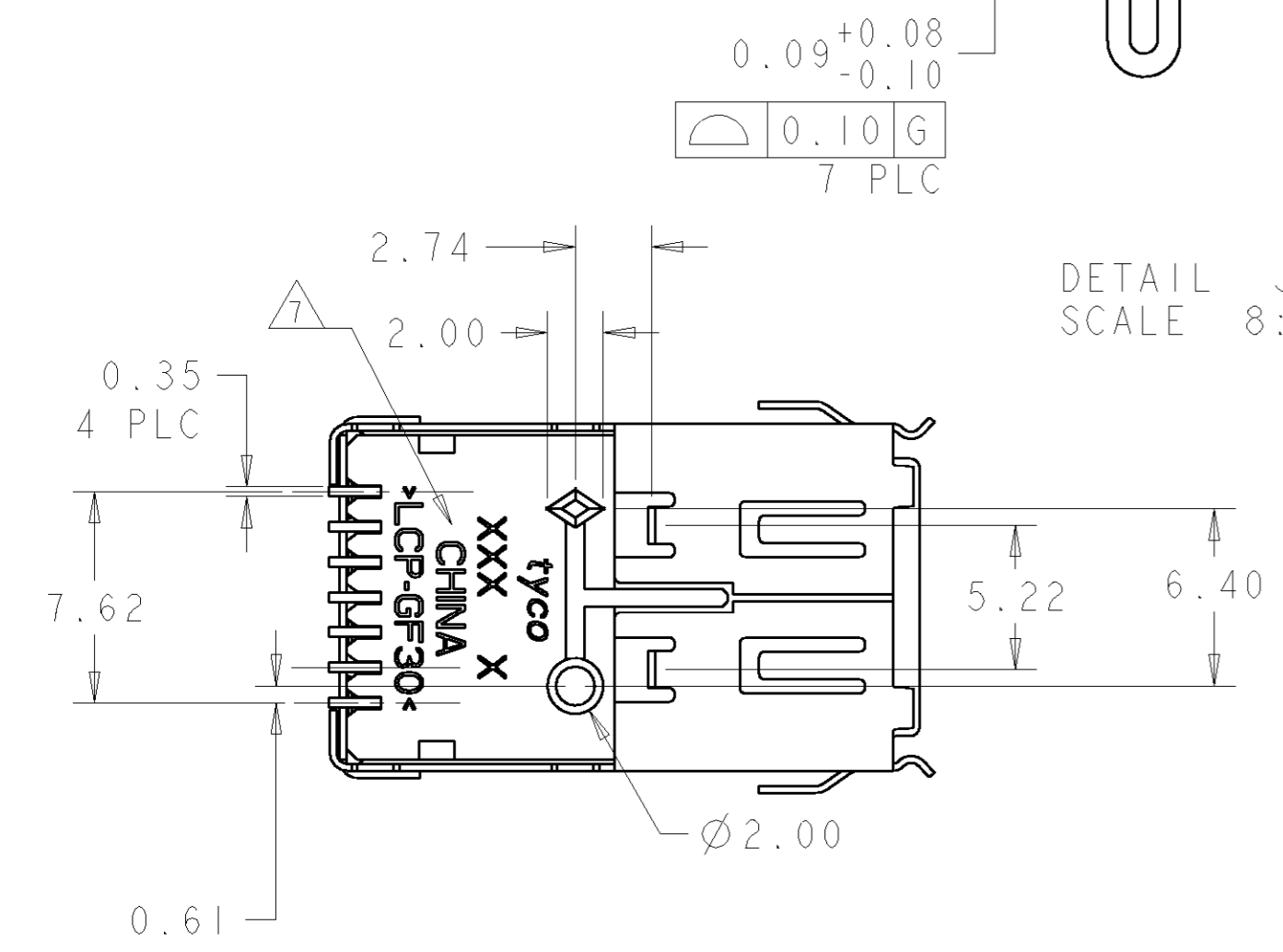
- 1 INSERT: LCP, UL 94V-0 RATED.
CONTACTS: COPPER ALLOY
SHELL: PHOSPHOR BRONZE.
- 2 CONTACTS: 1.27µm MINIMUM GOLD OVER
3.81µm MINIMUM NICKEL ON MATING END.
3.81µm MINIMUM MATTE TIN OVER
1.27µm MINIMUM NICKEL ON SOLDER TAILS.
SHELL: 3µm MINIMUM TIN OVER
1.27µm MINIMUM NICKEL.
- 3 DATUM AND BASIC DIMENSION ESTABLISHED BY CUSTOMER.
- 4 LOCATION OF STANDOFF CONTACTING THE BOARD.
- 5 PACKAGED IN TRAY.
- 6 PACKAGED TAPE AND REEL.
- 7 TYCO LOGO, COUNTRY OF ORIGIN, MATERIAL CODE, BUILDING NUMBER AND MOLD CAVITY ID ARE FROSTED ON THIS SURFACE.



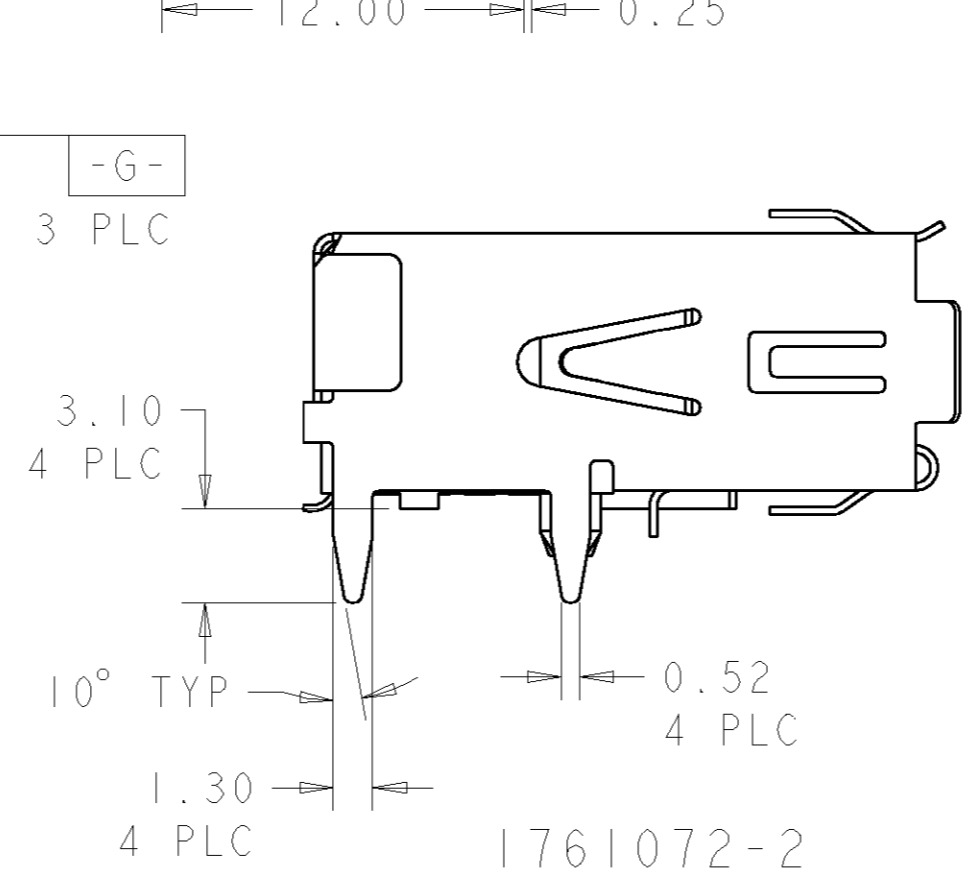
1761072-1 SOLDER TAIL WITH BOARDLOCK
 1761072-2 SOLDER TAIL



RECOMMENDED SOLDER STENCIL LAYOUT SCALE 5:1



DETAIL J SCALE 8:1



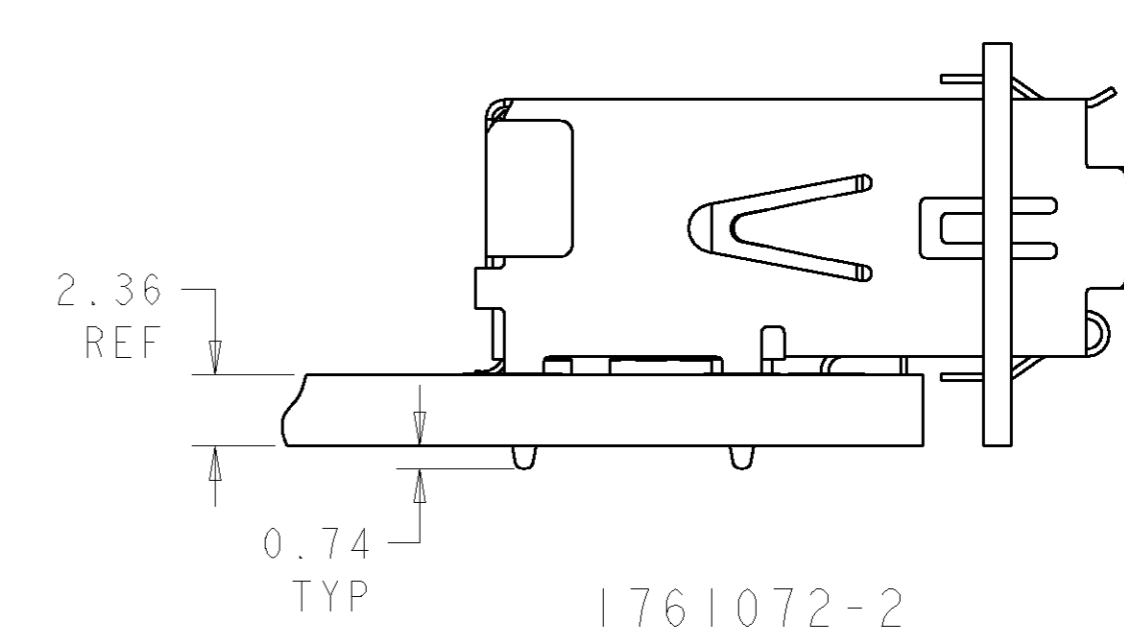
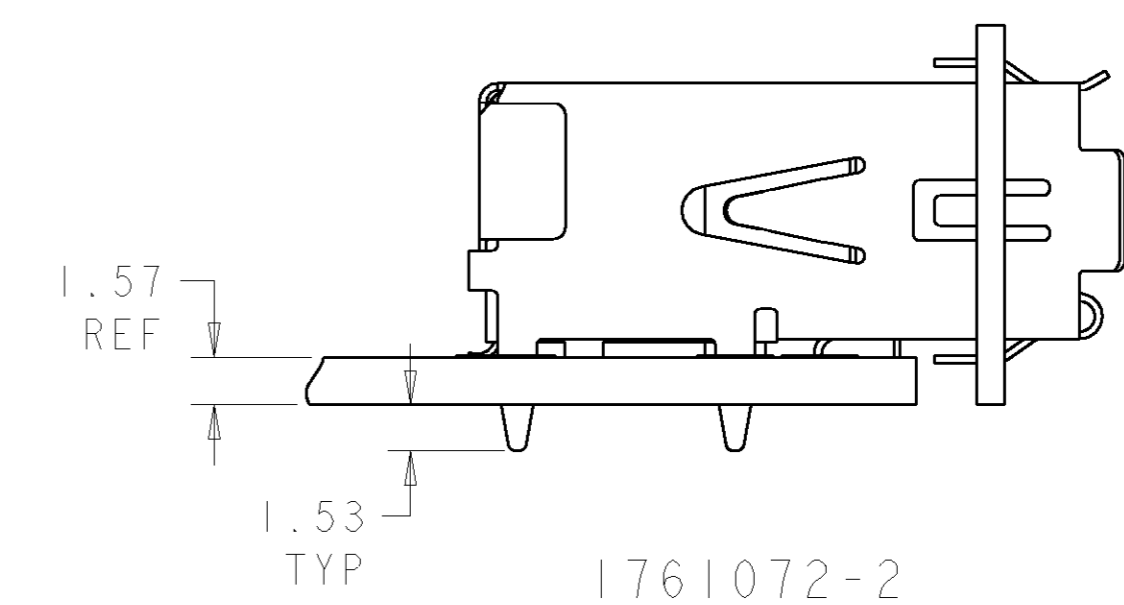
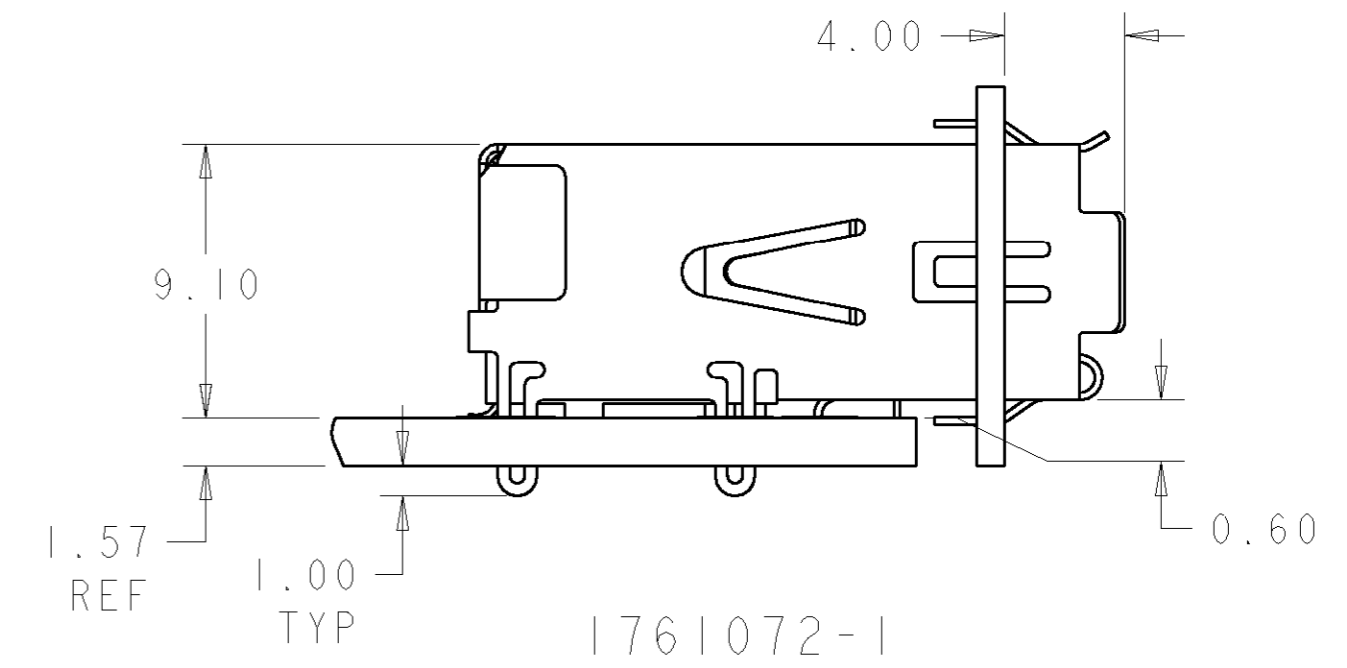
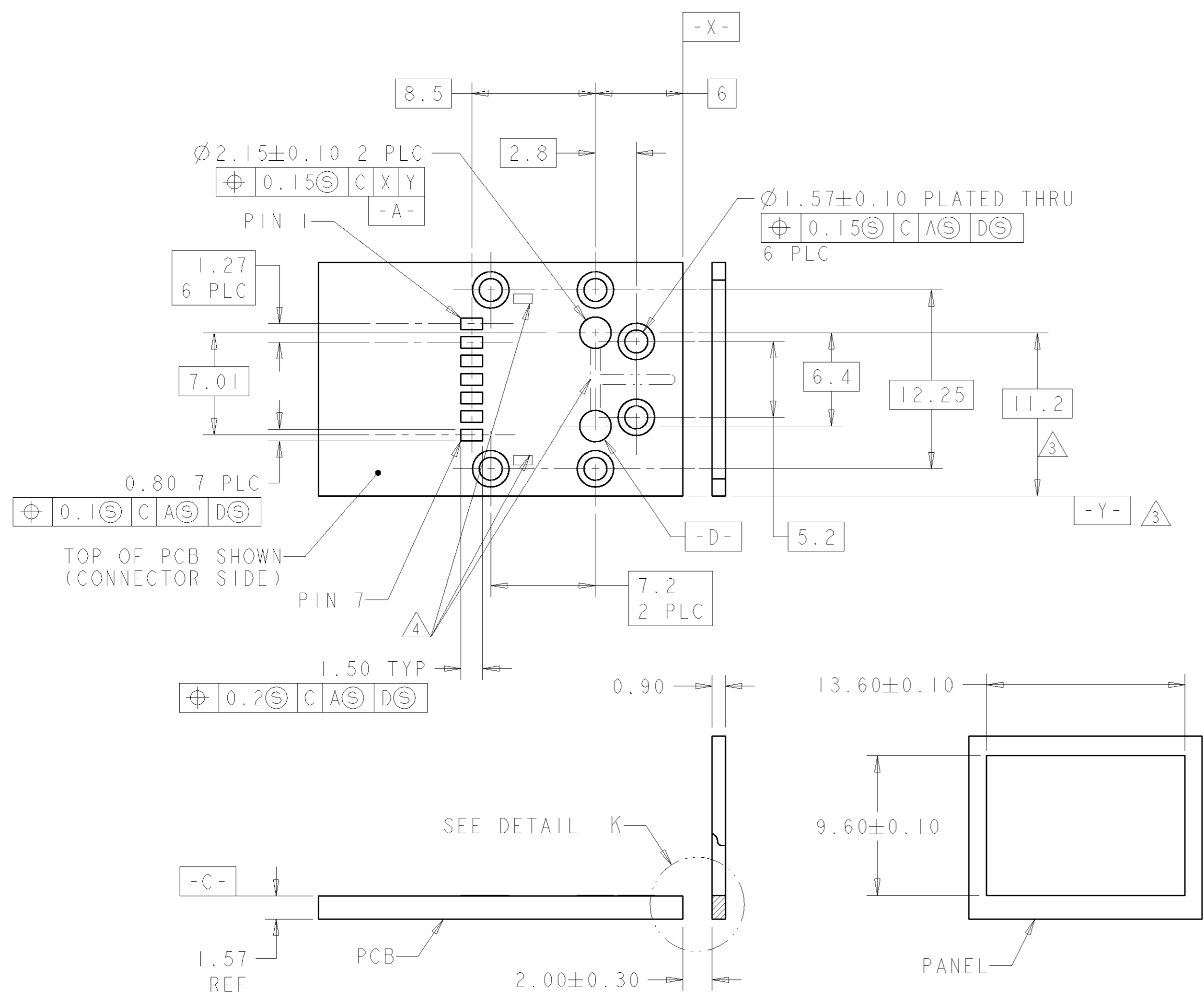
**COPYRIGHT 2004
 ALL RIGHTS RESERVED
 TYCO ELECTRONICS CORP**

PACKAGING	DESCRIPTION	PART NUMBER
6	SAME AS 1761072-1	1761072-4
5	SAME AS 1761072-2	1761072-3
6	SOLDER TAIL	1761072-2
5	SOLDER TAIL WITH BOARDLOCK	1761072-1

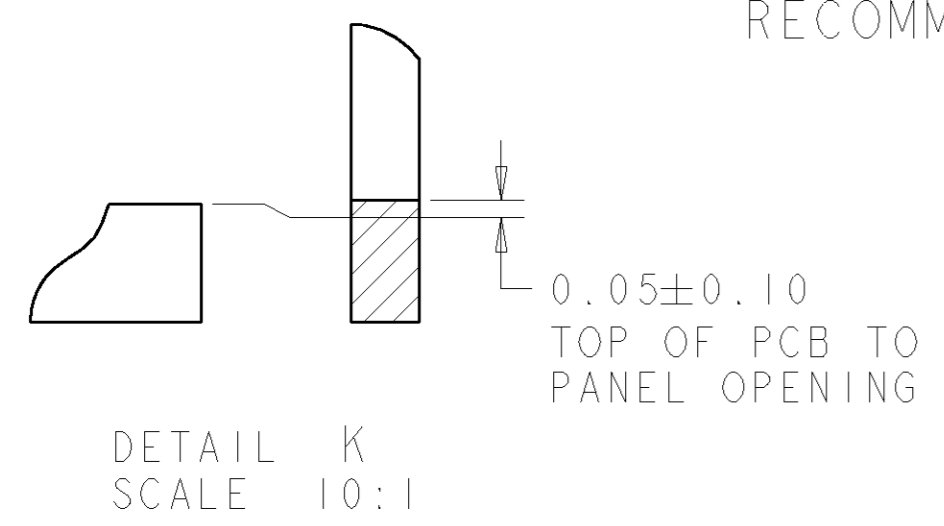
THIS DRAWING IS A CONTROLLED DOCUMENT FOR TYCO ELECTRONICS CORPORATION IT IS SUBJECT TO CHANGE AND THE CONTROLLING ENGINEERING ORGANIZATION SHOULD BE CONTACTED FOR THE LATEST REVISION.		DWN J.GERACE 23APR04	Tyco Electronics Harrisburg, PA 17105-3608	
DIMENSIONS: mm		CHK C.ROHDE 23APR04		
TOLERANCES UNLESS OTHERWISE SPECIFIED:		APVD M.WALMSLEY 23APR04	NAME RECEPTACLE ASSEMBLY, FIBRE CHANNEL, SURFACE MOUNT, SINGLE ROW, HSSDC2	
0 PLC ±		PRODUCT SPEC 108-1965	SIZE CAGE CODE DRAWING NO RESTRICTED TO	
1 PLC ±		APPLICATION SPEC 114-13028	A2 00779 C-1761072	
2 PLC ±0.13		WEIGHT 2.71	SCALE 4:1 SHEET 1 OF 3 REV AI	
3 PLC ±		CUSTOMER DRAWING		
4 PLC ±				
ANGLES ±3°				
FINISH				

THIS DRAWING IS UNPUBLISHED. RELEASED FOR PUBLICATION 20
 © COPYRIGHT 20 BY TYCO ELECTRONICS CORPORATION. ALL RIGHTS RESERVED.

LOC	DIST	REVISIONS			
P	LTR	DESCRIPTION	DATE	DWN	APVD
GP	00	-	SEE SHEET 1	-	-



RECOMMENDED PCB AND PANEL LAYOUT
 CONNECTOR SIDE SHOWN

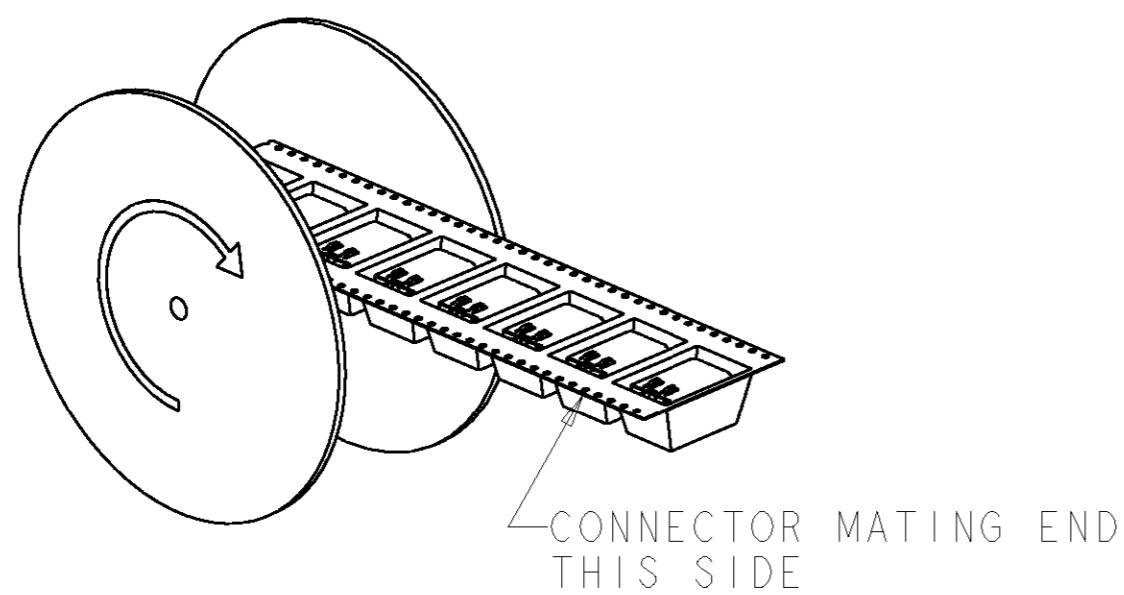
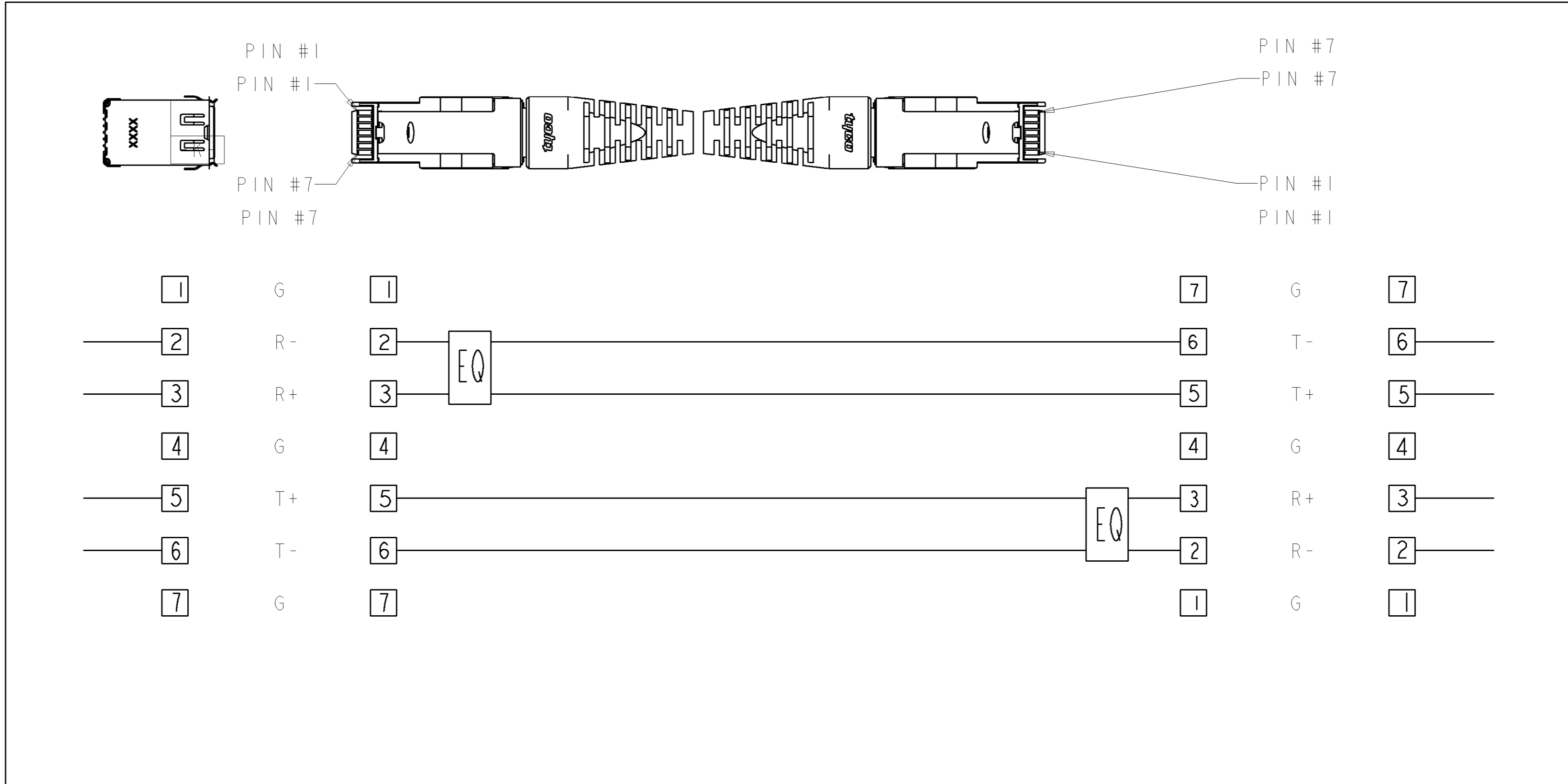


**COPYRIGHT 2004
 ALL RIGHTS RESERVED
 TYCO ELECTRONICS CORP**

THIS DRAWING IS A CONTROLLED DOCUMENT FOR TYCO ELECTRONICS CORPORATION. IT IS SUBJECT TO CHANGE AND THE CONTROLLING ENGINEERING ORGANIZATION SHOULD BE CONTACTED FOR THE LATEST REVISION.		DWN J. GERACE 23APR04	Tyco Electronics Harrisburg, PA 17105-3608	
DIMENSIONS: mm		CHK C. ROHDE 23APR04	NAME RECEPTACLE ASSEMBLY, FIBRE CHANNEL, SURFACE MOUNT, SINGLE ROW, HSSDC2	
TOLERANCES UNLESS OTHERWISE SPECIFIED:		APVD M. WALMSLEY 23APR04	SIZE A2	
0 PLC ±	1 PLC ±	PRODUCT SPEC	CAGE CODE 00779	DRAWING NO 1761072
2 PLC ±0.13	3 PLC ±	APPLICATION SPEC	RESTRICTED TO	
4 PLC ±	ANGLES ±°	WEIGHT	SCALE 4:1	SHEET 2 OF 3
MATERIAL	FINISH	CUSTOMER DRAWING	REV A1	

THIS DRAWING IS UNPUBLISHED. RELEASED FOR PUBLICATION 20
 © COPYRIGHT 20 BY TYCO ELECTRONICS CORPORATION. ALL RIGHTS RESERVED.

LOC	DIST	REVISIONS			
P	LTR	DESCRIPTION	DATE	DWN	APVD
GP	00	-	SEE SHEET 1	-	-



TAPE AND REEL
 PACKAGING ORIENTATION
 SCALE: NTS

PIN ASSIGNMENTS
 REFERENCE ONLY
 SCALE: NTS

**COPYRIGHT 2004
 ALL RIGHTS RESERVED
 TYCO ELECTRONICS CORP**

<small>THIS DRAWING IS A CONTROLLED DOCUMENT FOR TYCO ELECTRONICS CORPORATION. IT IS SUBJECT TO CHANGE AND THE CONTROLLING ENGINEERING ORGANIZATION SHOULD BE CONTACTED FOR THE LATEST REVISION.</small>		DWN J.GERACE 23APR04 CHK C.ROHDE 23APR04 APVD M.WALMSLEY 23APR04	AMP Tyco Electronics Harrisburg, PA 17105-3608
DIMENSIONS: mm 	TOLERANCES UNLESS OTHERWISE SPECIFIED: 0 PLC ± 1 PLC ± 2 PLC ±0.13 3 PLC ± 4 PLC ± ANGLES ±3° FINISH	NAME RECEPTACLE ASSEMBLY, FIBRE CHANNEL, SURFACE MOUNT, SINGLE ROW, HSSDC2 PRODUCT SPEC - APPLICATION SPEC - WEIGHT - CUSTOMER DRAWING	SIZE A2 CAGE CODE 00779 DRAWING NO. 1761072 RESTRICTED TO - SCALE 4:1 SHEET 3 OF 3 REV A1