



Chipsmall Limited consists of a professional team with an average of over 10 year of expertise in the distribution of electronic components. Based in Hongkong, we have already established firm and mutual-benefit business relationships with customers from,Europe,America and south Asia,supplying obsolete and hard-to-find components to meet their specific needs.

With the principle of “Quality Parts,Customers Priority,Honest Operation,and Considerate Service”,our business mainly focus on the distribution of electronic components. Line cards we deal with include Microchip,ALPS,ROHM,Xilinx,Pulse,ON,Everlight and Freescale. Main products comprise IC,Modules,Potentiometer,IC Socket,Relay,Connector.Our parts cover such applications as commercial,industrial, and automotives areas.

We are looking forward to setting up business relationship with you and hope to provide you with the best service and solution. Let us make a better world for our industry!



Contact us

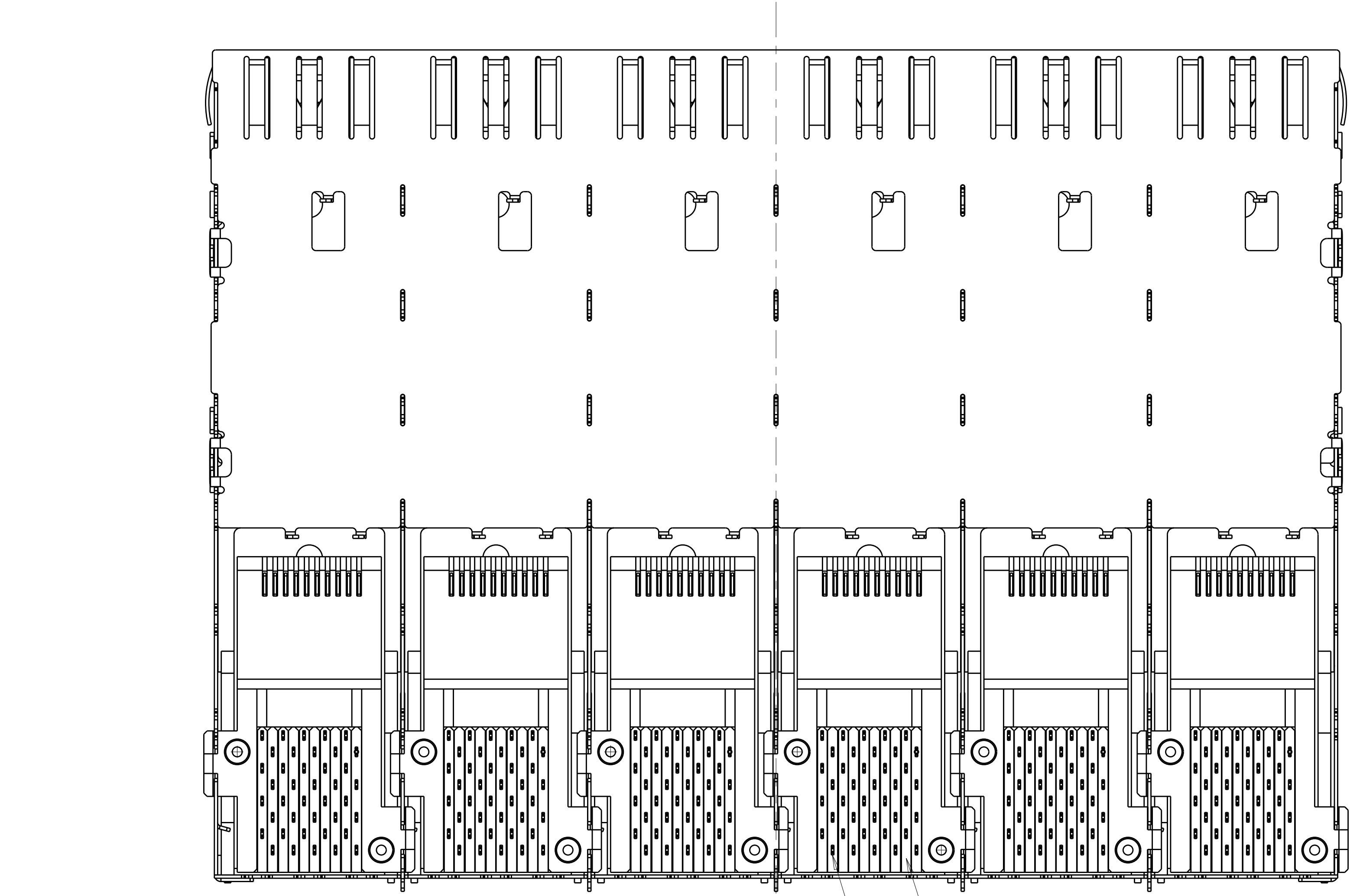
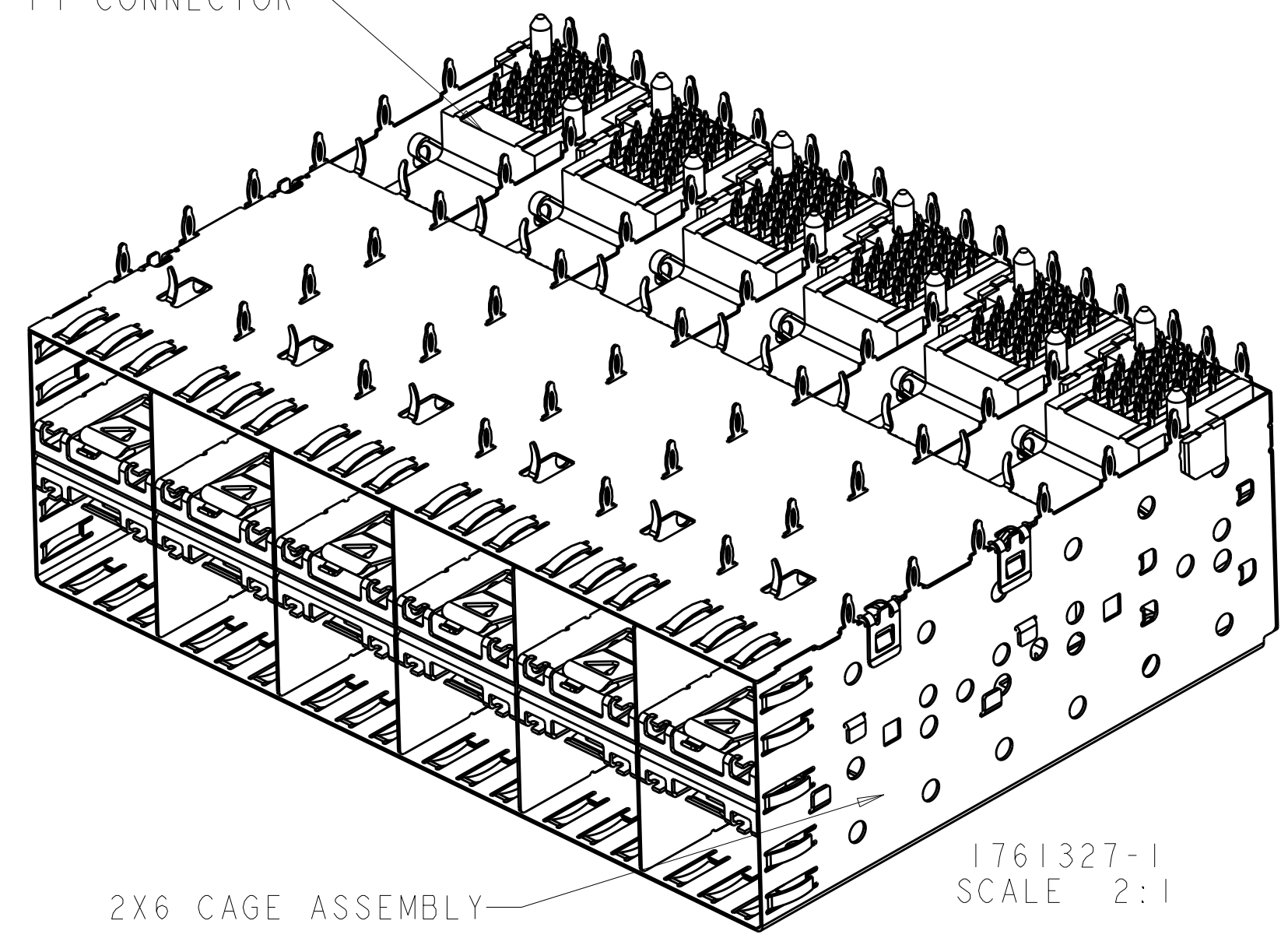
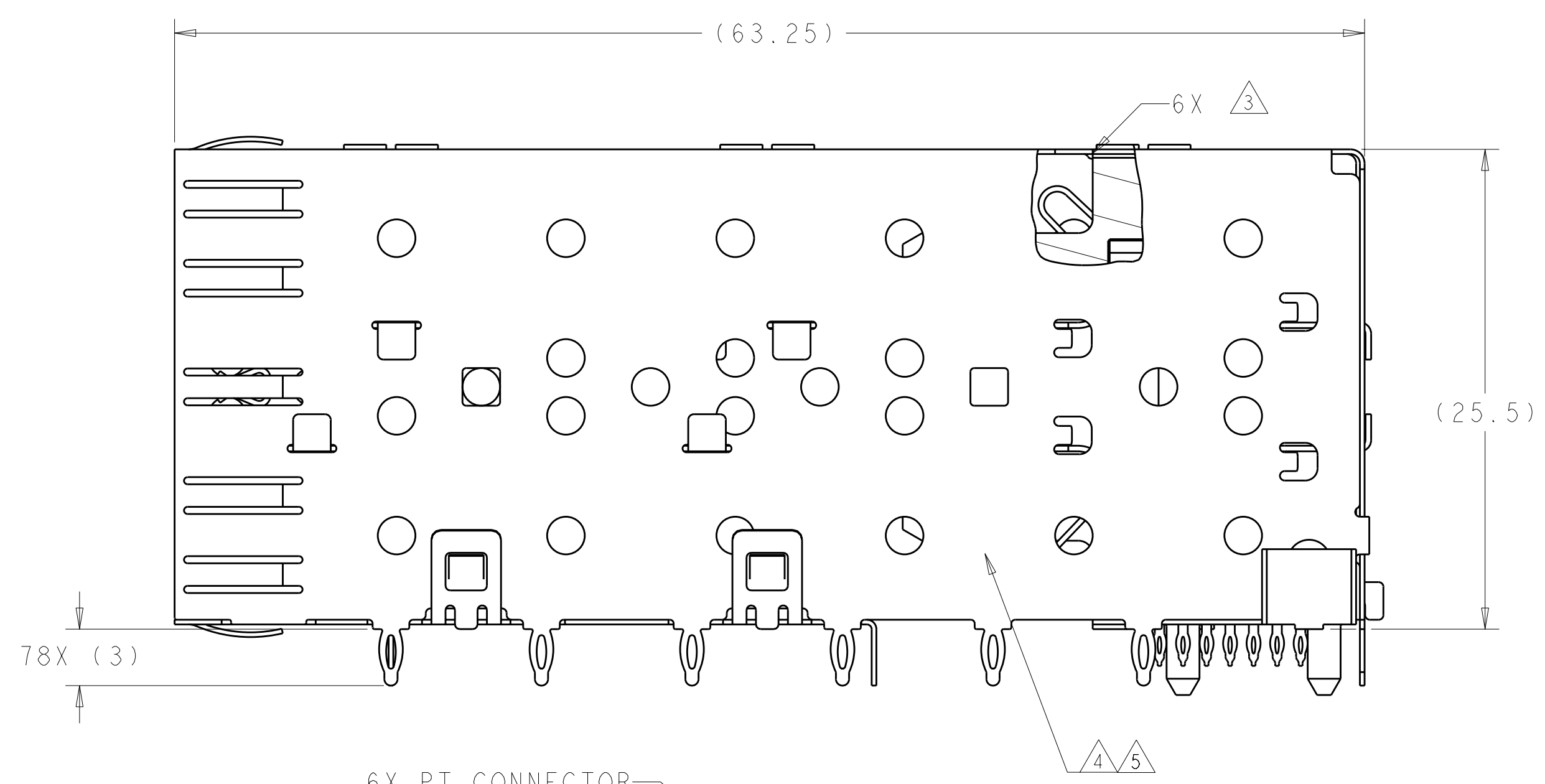
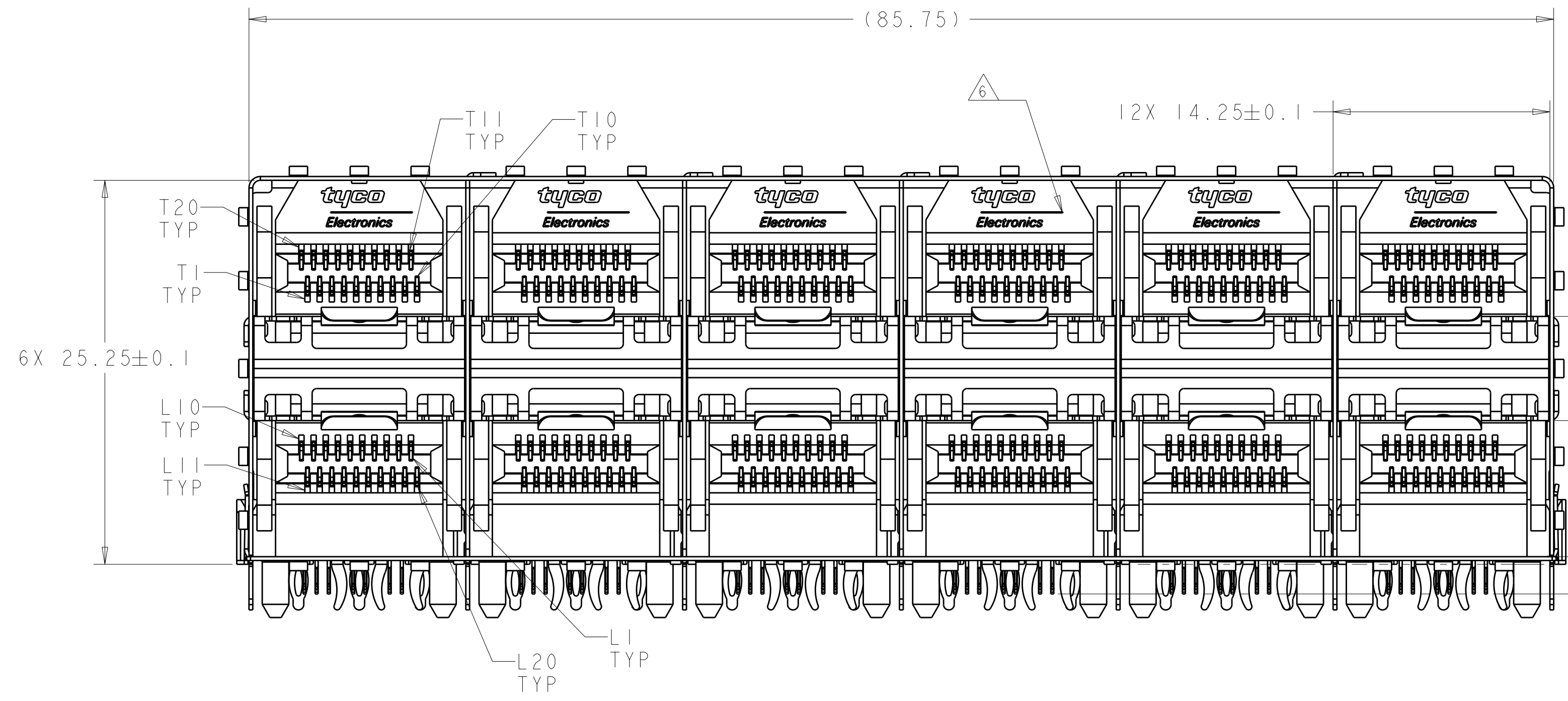
Tel: +86-755-8981 8866 Fax: +86-755-8427 6832

Email & Skype: info@chipsmall.com Web: www.chipsmall.com

Address: A1208, Overseas Decoration Building, #122 Zhenhua RD., Futian, Shenzhen, China



| LOC | DIST | REVISIONS | | | | |
|-----|------|-----------|-----------------------|-----------|-----|------|
| ES | 00 | REV | DESCRIPTION | DATE | DWN | APVD |
| | | B1 | REVISED ECR-08-013764 | 02JUN08 | AZ | SY |
| | | C | ECR-08-028454 | 11NOV2008 | AL | SY |

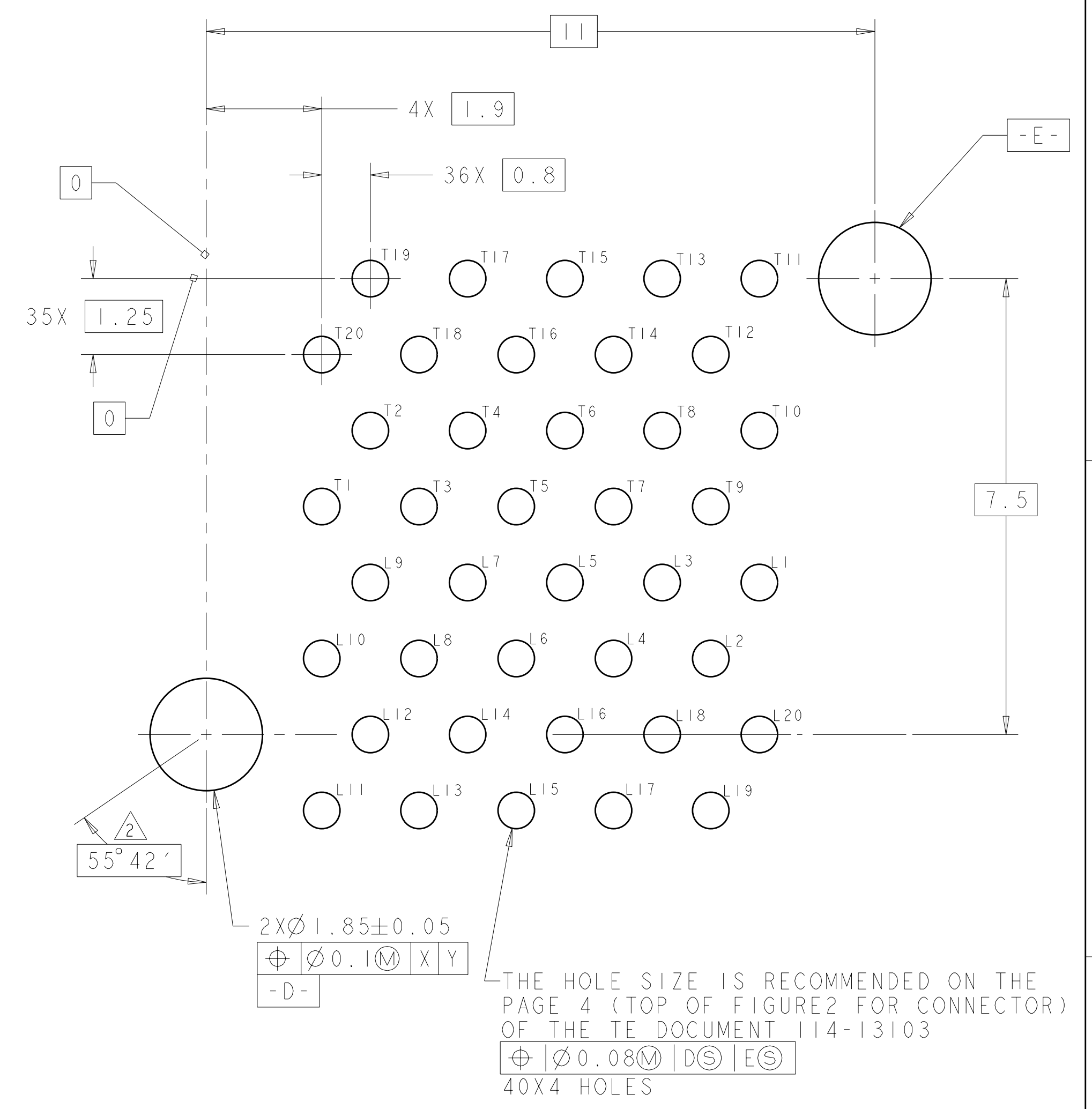
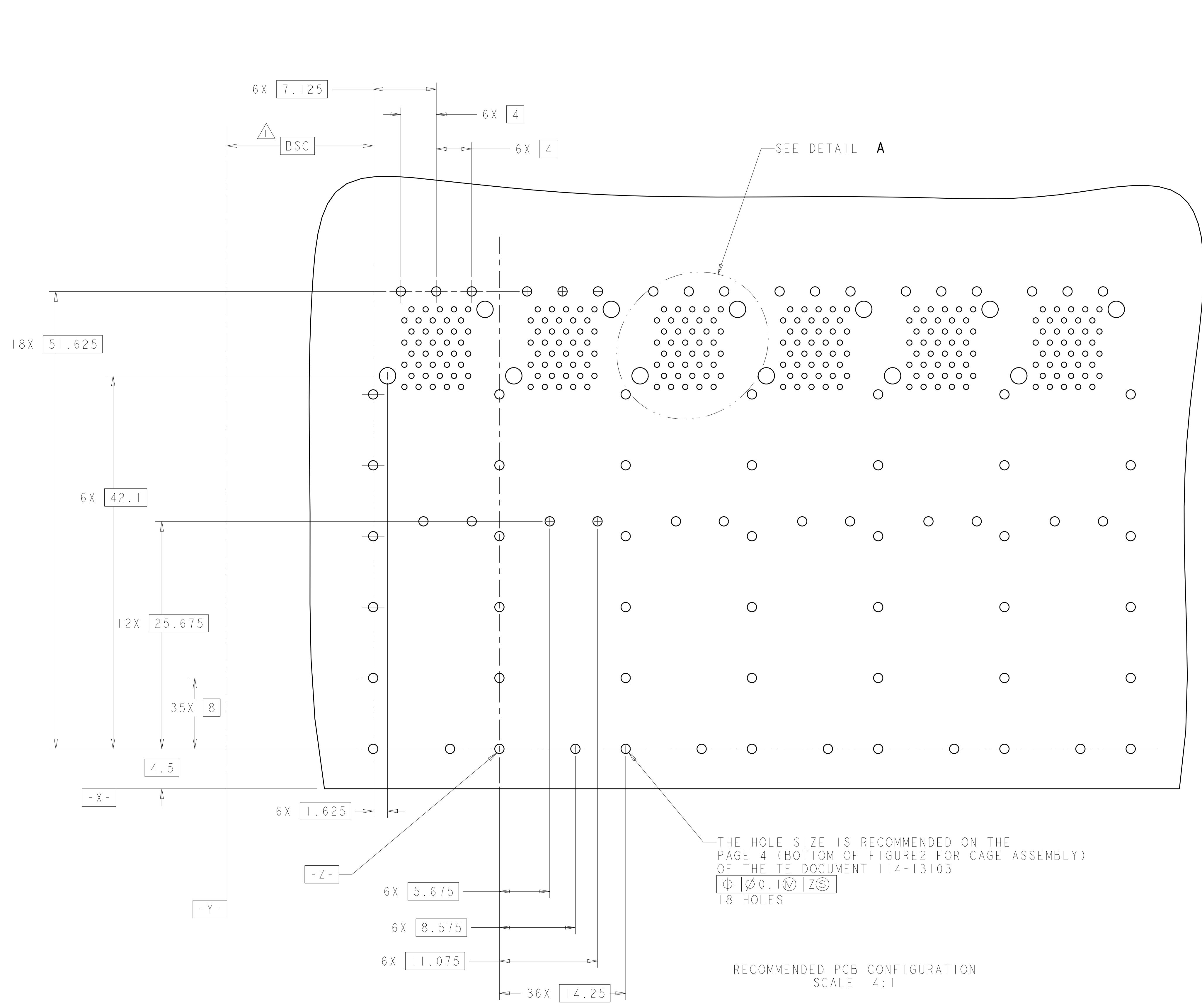


- ① DATUM AND BASIC DIMENSION TO BE DETERMINED BY CUSTOMER.
- ② INTERPRETATION OF DATUM REFERENCE FRAME IN ACCORDANCE WITH SECT 4.4.1.1 OF ASME Y14.5M-1994.
- ③ TOP OF PT CONNECTOR TO BE 0-0.15 FROM INSIDE SURFACE OF CAGE.
- ④ COPPER ALLOY.
- ⑤ 1.25µm MIN TIN PER ASTM B 545 OVER NICKEL FLASH PER QQ-N-290. NON-PLATED EDGES PERMISSIBLE.
- ⑥ LCP, HIGH TEMPERATURE, UL 94V-0 RATED, BLACK.
- ⑦ POLYESTER, UL 94V-0 RATED, BLACK.
- ⑧ CONTACT MATING AREA: SURFACE TREATMENT OVER 0.76µm MIN GOLD PER ASTM B 488 OVER 1.27µm MIN NICKEL PER QQ-N-290. NEEDLE EYE: 1.25µm MIN TIN PER ASTM B 545 OVER 1.27µm MIN NICKEL PER QQ-N-290. REMAINDER OF CONTACT: 0.76µm MIN NICKEL PER QQ-N-290.

1761327-1
PART NUMBER

| | | | |
|--|---|--|---|
| <small>THIS DRAWING IS UNPUBLISHED. RELEASED FOR PUBLICATION BY TYCO ELECTRONICS CORPORATION. ALL RIGHTS RESERVED.</small> | | DWN: B. CRISAMORE 28JUN04 CHK: J. KOPPENHEFFER 30JUN04 APVD: M. WALMSLEY 30JUN04 | Tyco Electronics Shanghai, China |
| DIMENSIONS: mm | TOLERANCES UNLESS OTHERWISE SPECIFIED: 9 PLC ± 1 PLC ±0.1 5 PLC ± 4 PLC ± ANGLES ± | NAME: CAGE AND PT CONNECTOR ASSEMBLY PRESS FIT, 2X6, STANDARD PROFILE SFP PRODUCT SPEC: 108-2161 APPLICATION SPEC: 114-13103 | SIZE: A1 CAGE CODE: 00779 DRAWING NO: 1761327 RESTRICTED TO: C |
| MATERIAL: | FINISH: | WEIGHT: | CUSTOMER DRAWING |
| SCALE: 1:1 | | SHEET 1 OF 3 REV C | |

| LOC | | DIST | | REVISIONS | | | |
|-----|----|------|-----|-------------|------|-----|------|
| ES | 00 | P | LTR | DESCRIPTION | DATE | DWN | APVD |
| | | | | SEE SHEET 1 | | | |

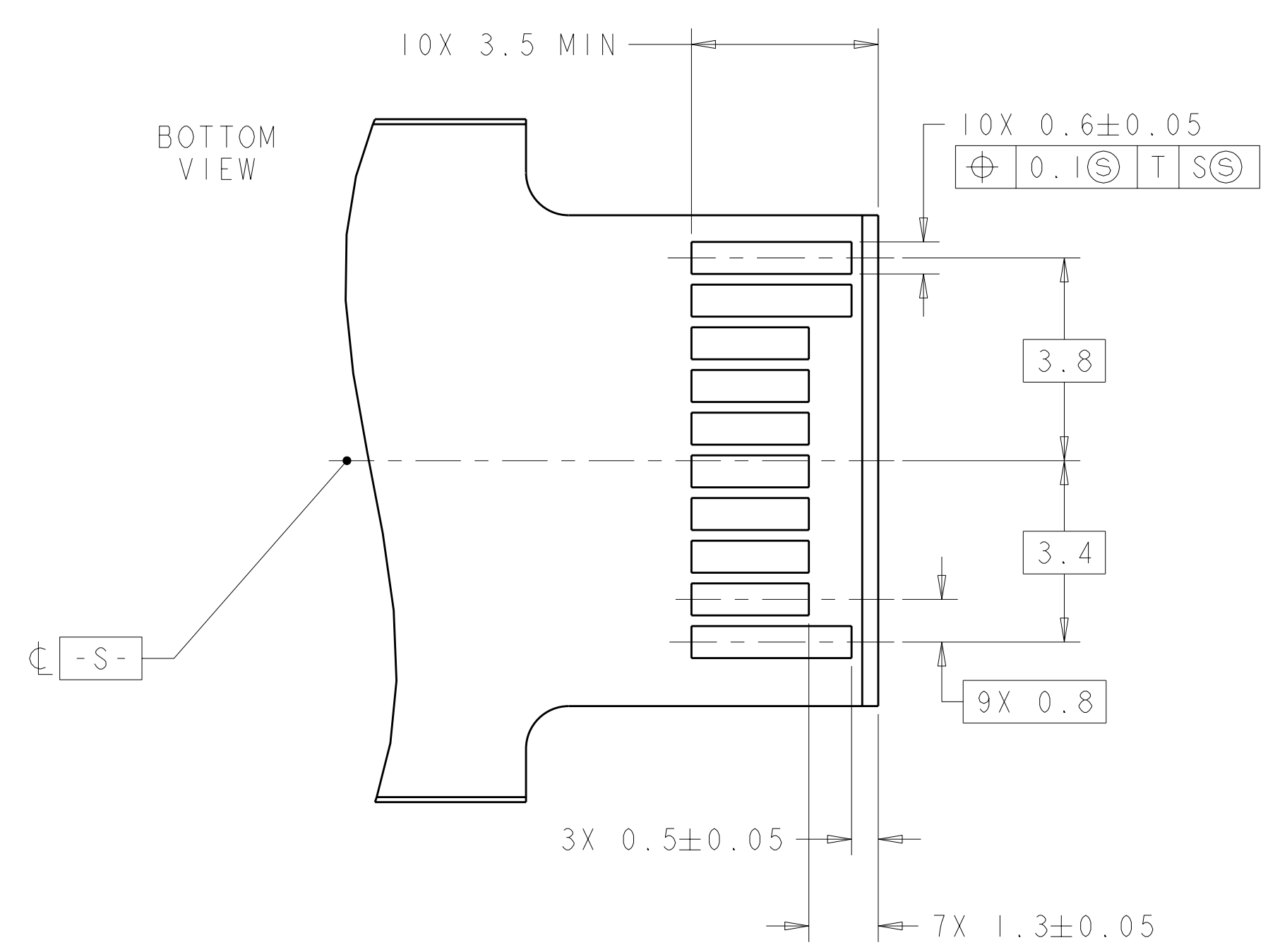
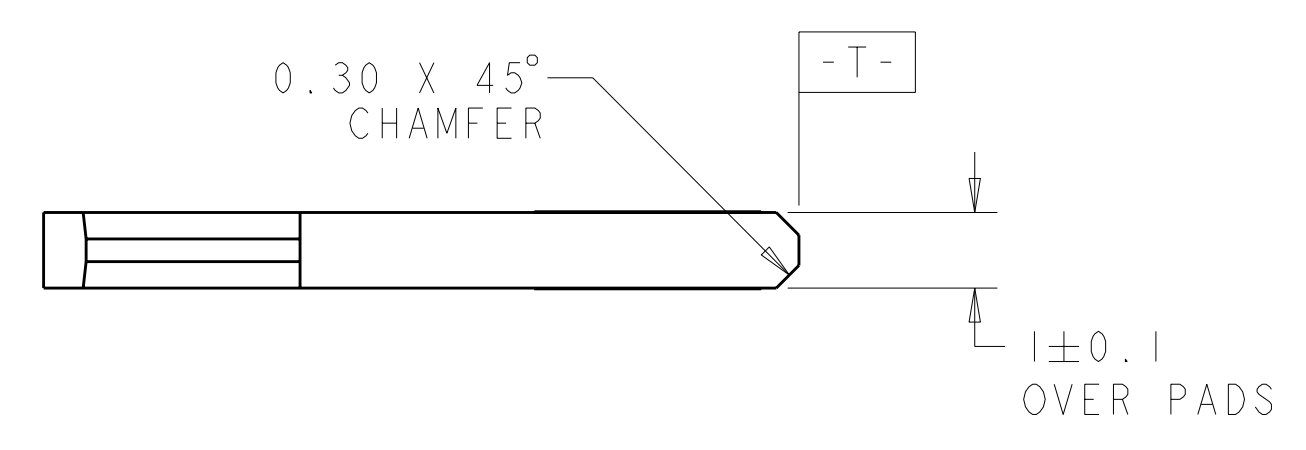
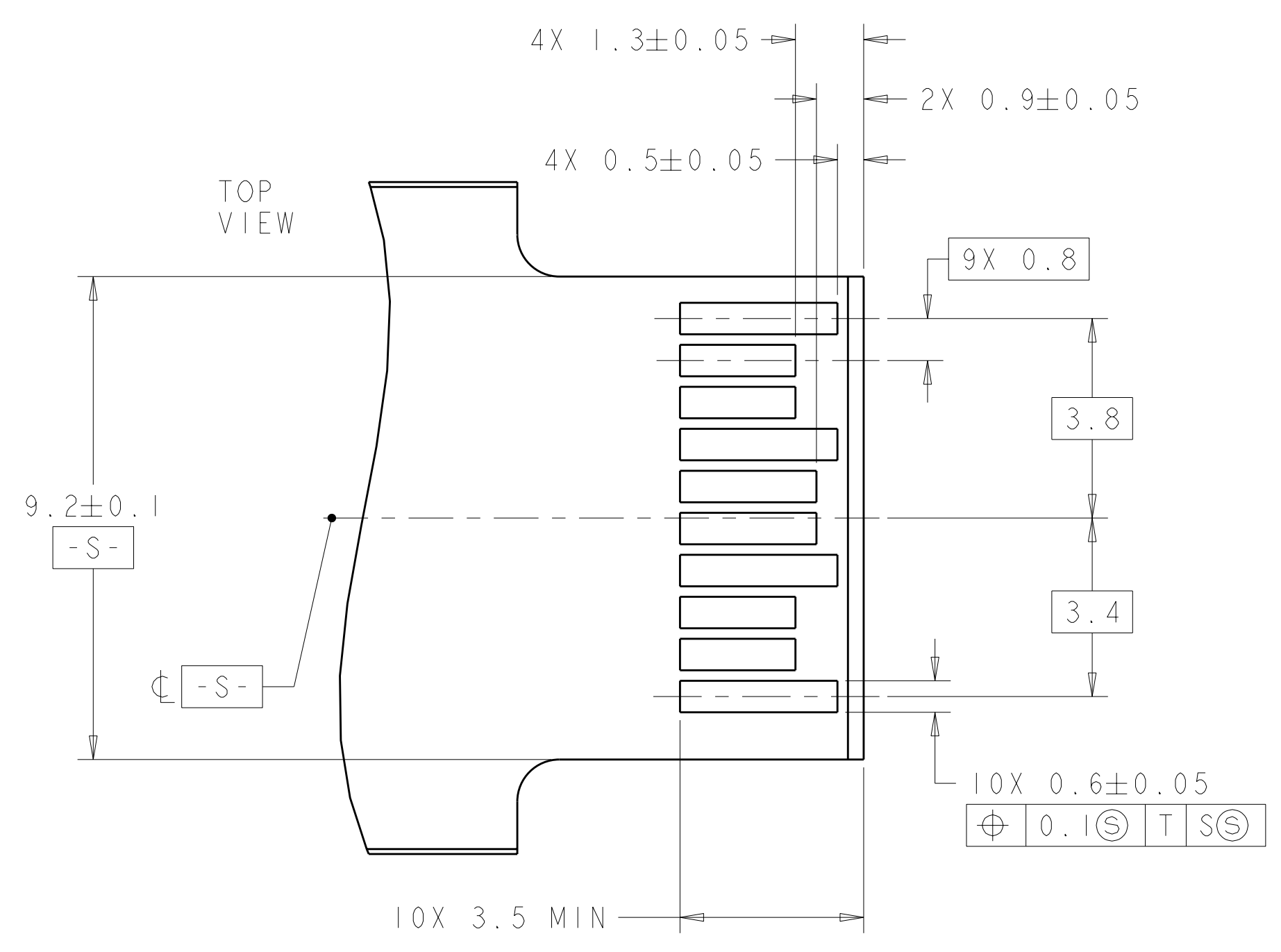


DETAIL A
SCALE 15:1

RECOMMENDED PCB CONFIGURATION
SCALE 4:1

| | | | | | | | |
|--------------------------|--|---|--|--|--|---|--|
| DIMENSIONS: mm | | TOLERANCES UNLESS OTHERWISE SPECIFIED: 9 PLC ± 1 PLC ±0.1 5 PLC ± 4 PLC ± ANGLES ± FINISH ± | | DWN: B. CRISAMORE 28 JUN04 CHK: J. KOPPENHEFFER 30 JUN04 APVD: M. WALMSLEY 30 JUN04 | | Tyco Electronics Shanghai, China | |
| MATERIAL: - FINISH: - | | PRODUCT SPEC: 108-2161 APPLICATION SPEC: 114-13103 WEIGHT: - | | NAME: CAGE AND PT CONNECTOR ASSEMBLY PRESS FIT, 2X6, STANDARD PROFILE SFP SIZE: A1 CAGE CODE: 00779 DRAWING NO: C=1761327 | | RESTRICTED TO: - SCALE: 1:1 SHEET 2 OF 3 REV C | |
| CUSTOMER DRAWING | | | | | | | |

| LOC | DIST | REVISIONS | | | | | |
|-----|------|-----------|-----|-------------|------|-----|------|
| ES | 00 | P | LTR | DESCRIPTION | DATE | DWN | APVD |
| | | - | - | SEE SHEET 1 | - | - | - |



RECOMMENDED LAYOUT FOR
 MATING TRANSCEIVER PCB
 SCALE 10:1

| | | | |
|--|--|--|---|
| <small>THIS DRAWING IS UNPUBLISHED. RELEASED FOR PUBLICATION BY TYCO ELECTRONICS CORPORATION. ALL RIGHTS RESERVED. THIS IS SUBJECT TO CHANGE WITHOUT NOTICE AND WITHOUT OBLIGATION. SHOULD BE CONTACTED FOR THE LATEST REVISION.</small> | | DWN: B. CRISAMORE 28 JUN 04 CHK: J. KOPPENHEFFER 30 JUN 04 APVD: M. WALMSLEY 30 JUN 04 | Tyco Electronics Shanghai, China |
| DIMENSIONS: mm TOLERANCES UNLESS OTHERWISE SPECIFIED: 9 PLC ± 1 PLC ±0.1 2 PLC ± 3 PLC ± 4 PLC ± ANGLES ± | | NAME: M. WALMSLEY 30 JUN 04 PRODUCT SPEC: 108-2161 APPLICATION SPEC: 114-13103 WEIGHT: - FINISH: - | CAGE AND PT CONNECTOR ASSEMBLY PRESS FIT, 2X6, STANDARD PROFILE SFP |
| MATERIAL: - FINISH: - | | SIZE: A 00779 C=1761327 CUSTOMER DRAWING | RESTRICTED TO: - SCALE: 8:1 SHEET: 3 OF 3 REV: C |