



Chipsmall Limited consists of a professional team with an average of over 10 year of expertise in the distribution of electronic components. Based in Hongkong, we have already established firm and mutual-benefit business relationships with customers from,Europe,America and south Asia,supplying obsolete and hard-to-find components to meet their specific needs.

With the principle of “Quality Parts,Customers Priority,Honest Operation,and Considerate Service”,our business mainly focus on the distribution of electronic components. Line cards we deal with include Microchip,ALPS,ROHM,Xilinx,Pulse,ON,Everlight and Freescale. Main products comprise IC,Modules,Potentiometer,IC Socket,Relay,Connector.Our parts cover such applications as commercial,industrial, and automotives areas.

We are looking forward to setting up business relationship with you and hope to provide you with the best service and solution. Let us make a better world for our industry!



Contact us

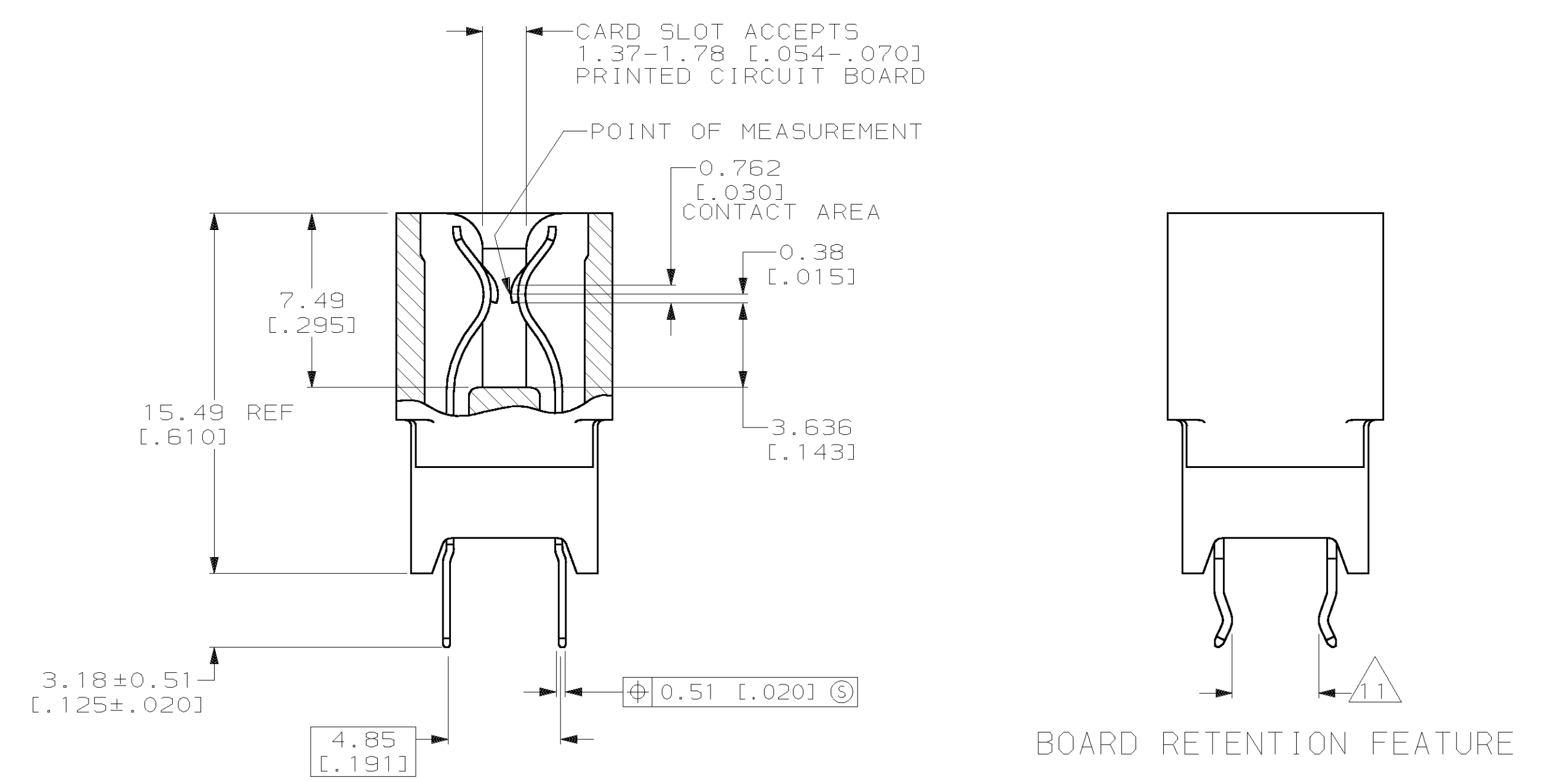
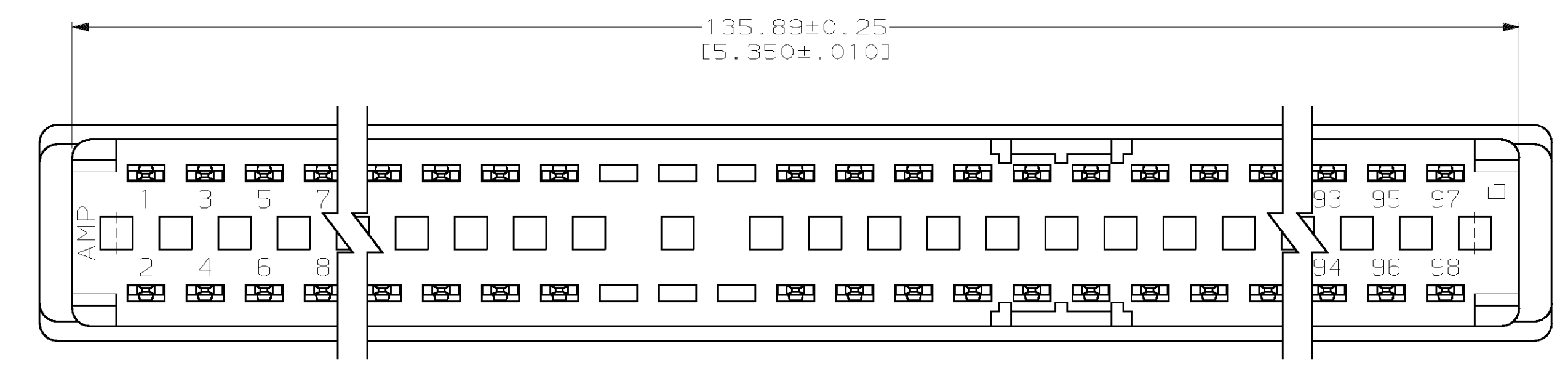
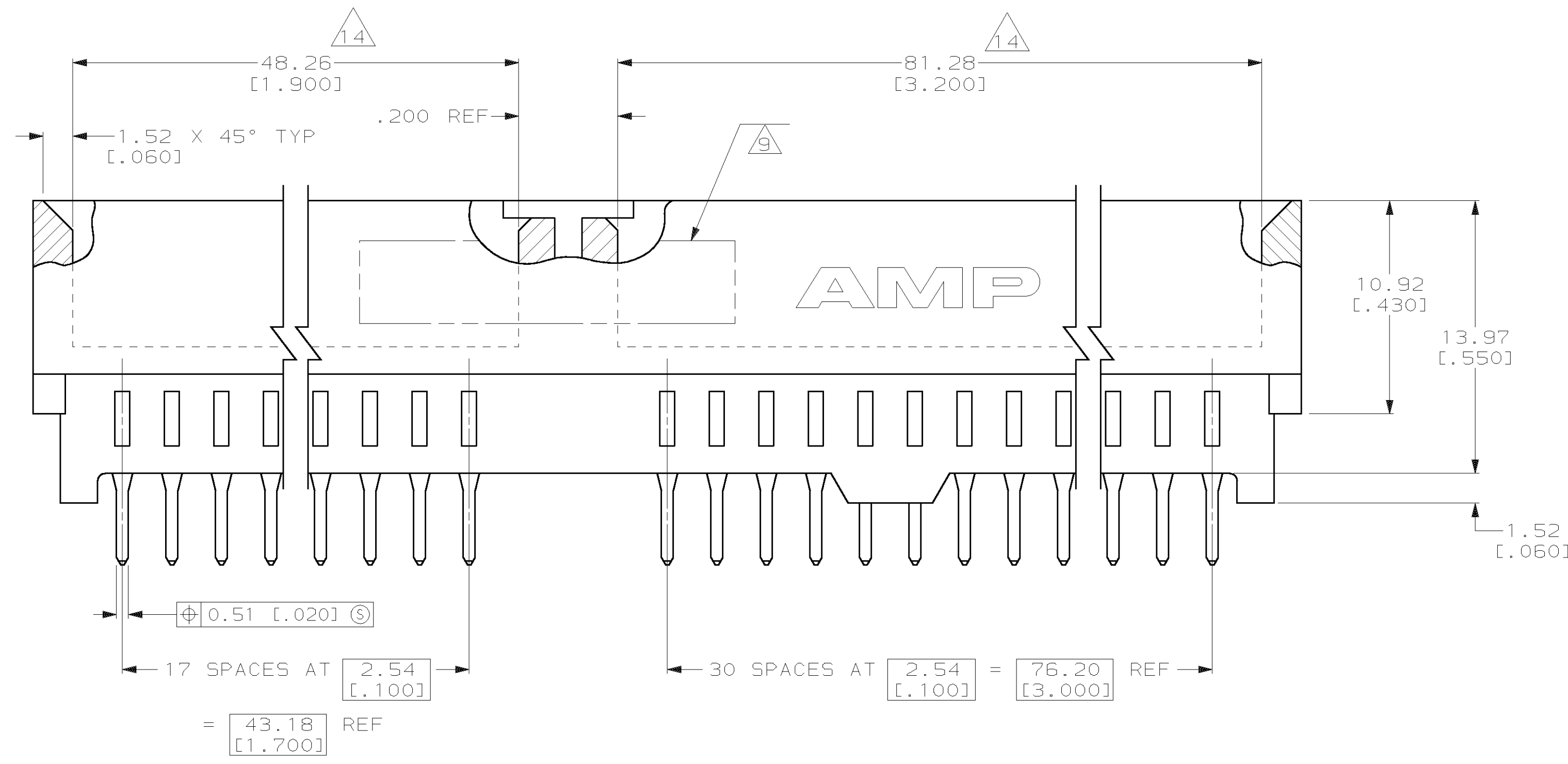
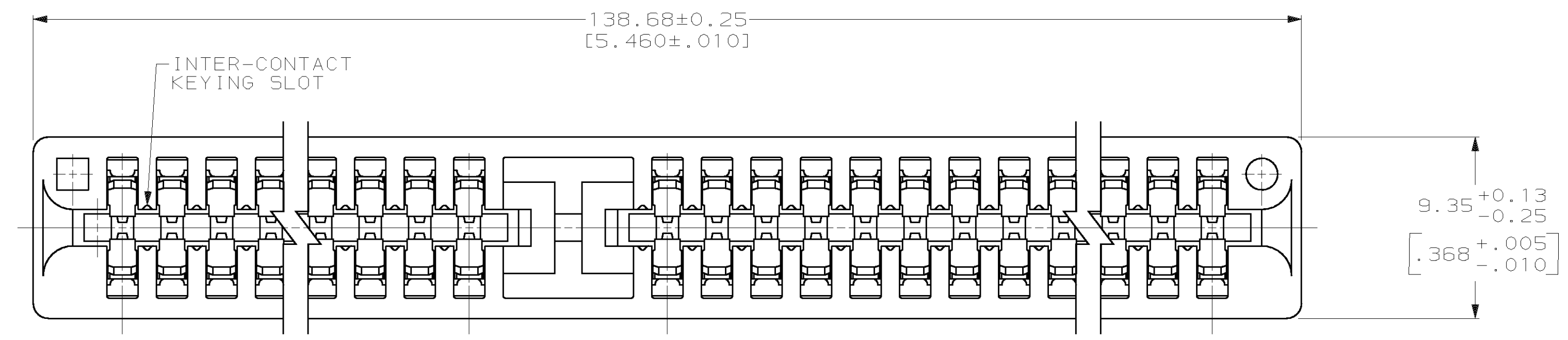
Tel: +86-755-8981 8866 Fax: +86-755-8427 6832

Email & Skype: info@chipsmall.com Web: www.chipsmall.com

Address: A1208, Overseas Decoration Building, #122 Zhenhua RD., Futian, Shenzhen, China



LOC	DIST	P	F	ZONE	LTR	DESCRIPTION	DATE	APPD
AD	14				S	REVISED PER 0651-0024-98	6/10/98	RB AV
					T	REVISED PER 0651-0019-99	04MAR99	RB JP
					U	REV PER EC 0652-0059-99	04/10/99	MM JP



OBSOLETE	5, 6, 31, 32, 41, 42, 93, 94	49	176139-8
OBSOLETE	5, 6, 31, 32, 41, 42, 93, 94	49	176139-8
OBSOLETE			
OBSOLETE		49	176139-6
		49	176139-5
		49	176139-4
	5, 6, 31, 32, 41, 42, 93, 94	49	176139-3
	5, 6, 31, 32, 41, 42, 93, 94	49	176139-2
	5, 6, 31, 32, 41, 42, 93, 94	49	176139-1
	BOARD RETENTION LOCATION	FINISH (3/4/8)	NO OF POSN
			PART NUMBER

DO NOT SCALE PRINT. UNLESS SPECIFIED DIMENSIONS IN mm [INCHES] TOLERANCES ON: 2 PLC DEC ± 0.13 [0.005] 3 PLC DEC ± - ANGLES ± -	DR 7/30/97 R BROWN CHK 7/30/97 M PAVLOVICH APPD 7/30/97 M PAVLOVICH	AMP AMP Incorporated Harrisburg, PA 17105-3608 NAME CONNECTOR ASSY, EDGE CARD, 2.54 [0.100] ⌀	
MATERIAL HOUSING: (1) CONTACT: (2)	APPD 7/30/97 D SARVER PRODUCT SPEC 108-1248		
FINISH CONTACT: (3) (4) (5) (6) (7) (8)	APPLICATION SPEC - WEIGHT -	SIZE D CAGE CODE 00779 SCALE 5:1	DRAWING NO 176139 SHEET 1 OF 2

