



Chipsmall Limited consists of a professional team with an average of over 10 year of expertise in the distribution of electronic components. Based in Hongkong, we have already established firm and mutual-benefit business relationships with customers from,Europe,America and south Asia,supplying obsolete and hard-to-find components to meet their specific needs.

With the principle of “Quality Parts,Customers Priority,Honest Operation,and Considerate Service”,our business mainly focus on the distribution of electronic components. Line cards we deal with include Microchip,ALPS,ROHM,Xilinx,Pulse,ON,Everlight and Freescale. Main products comprise IC,Modules,Potentiometer,IC Socket,Relay,Connector.Our parts cover such applications as commercial,industrial, and automotives areas.

We are looking forward to setting up business relationship with you and hope to provide you with the best service and solution. Let us make a better world for our industry!



## Contact us

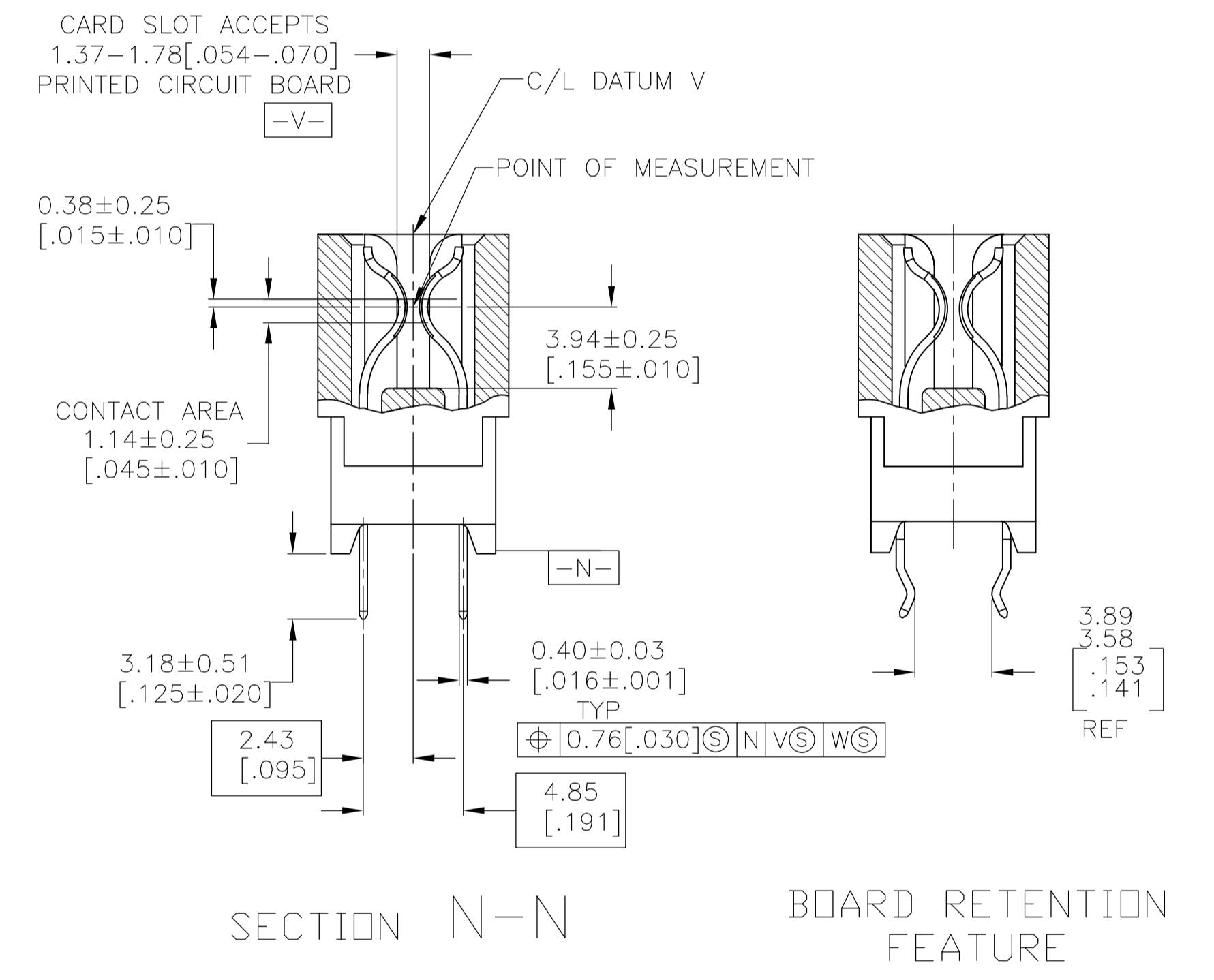
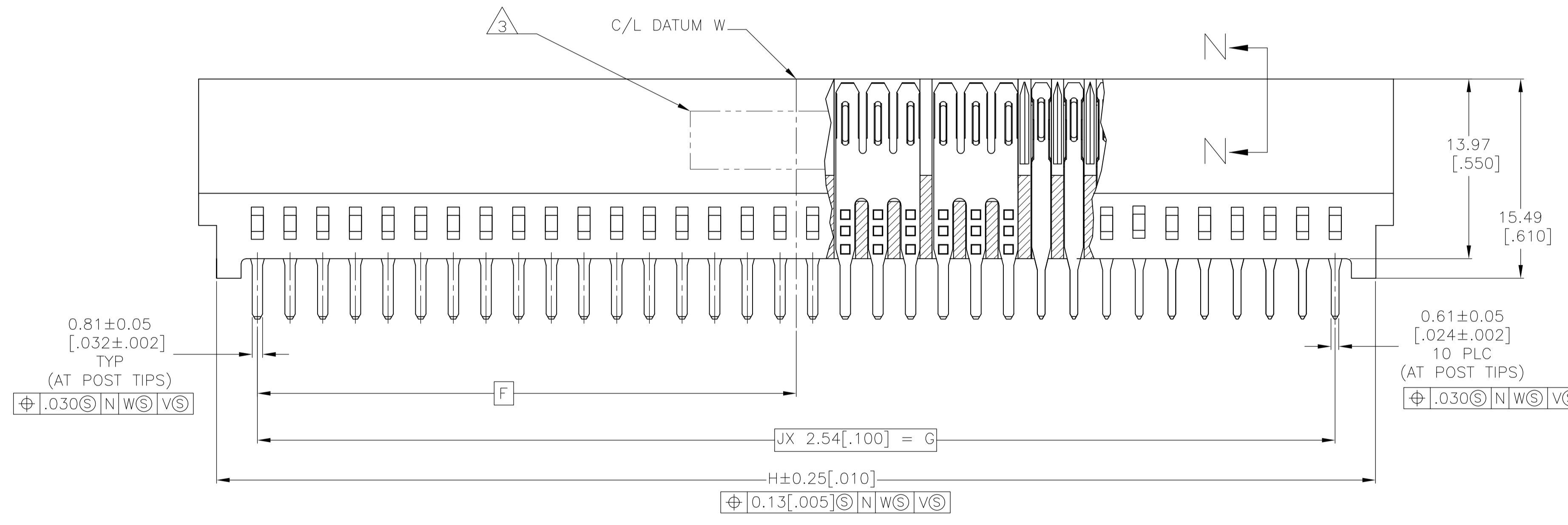
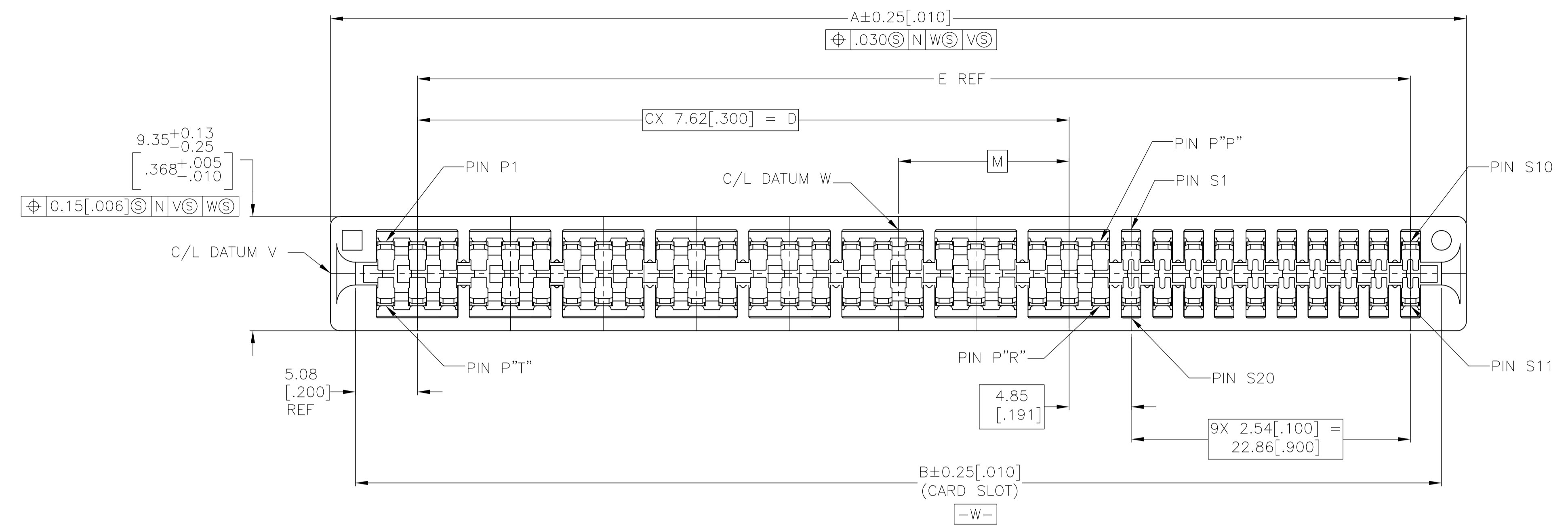
Tel: +86-755-8981 8866 Fax: +86-755-8427 6832

Email & Skype: info@chipsmall.com Web: www.chipsmall.com

Address: A1208, Overseas Decoration Building, #122 Zhenhua RD., Futian, Shenzhen, China



- HOUSING: GLASS FILLED POLYESTER, BLACK, IR REFLOW COMPATIBLE
- CONTACT: HIGH CONDUCTIVITY COPPER ALLOY.  
 NICKEL PLATE .00127 [.000050] MIN - ALL OVER.  
 TIN PLATE .00254 [.000100] MIN - SOLDER POSTS.  
 GOLD PLATE .00038 [.000015] MIN - IN MATING AREA.
- AMP PART NUMBER, DATE CODE AND CSA LOGO MARKED IN APPROXIMATE AREA SHOWN, EITHER SIDE.
- DATUMS X, Y & BASIC DIMENSIONS ARE TO BE ESTABLISHED BY THE CUSTOMER
- NO BURRS AND/OR SHARP EDGES ARE PERMISSIBLE
- QUALIFICATION TESTING HAS NOT BEEN COMPLETED.



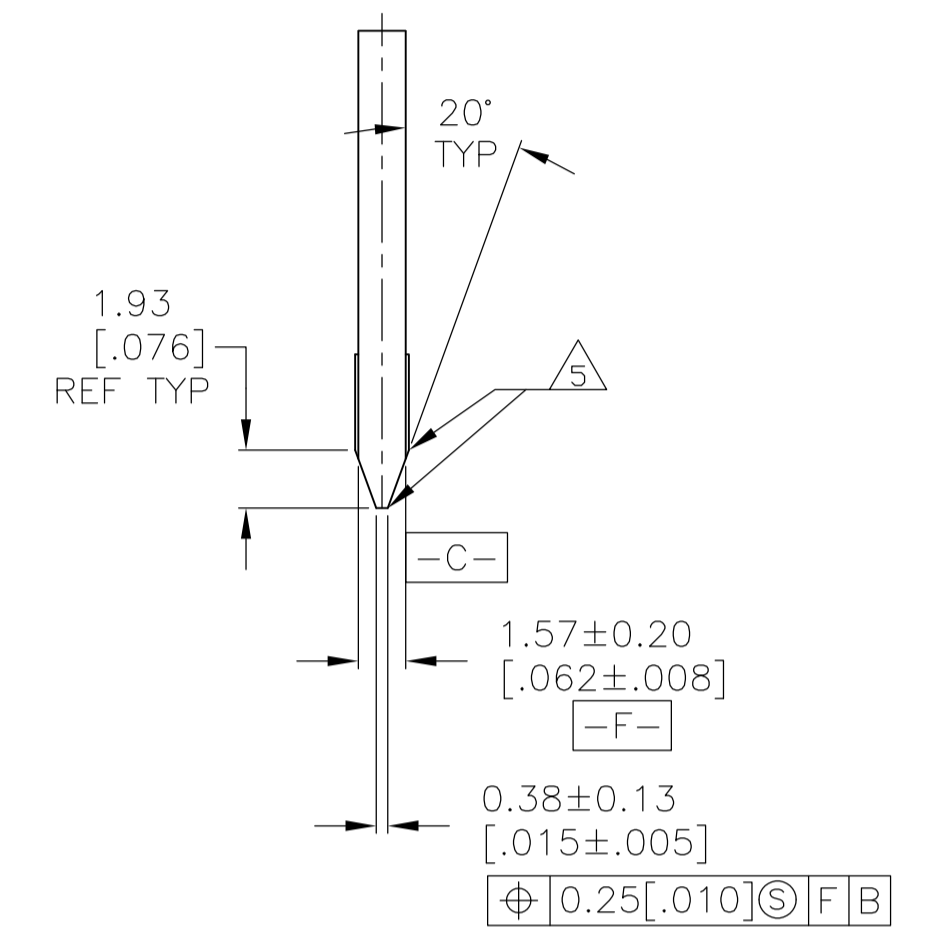
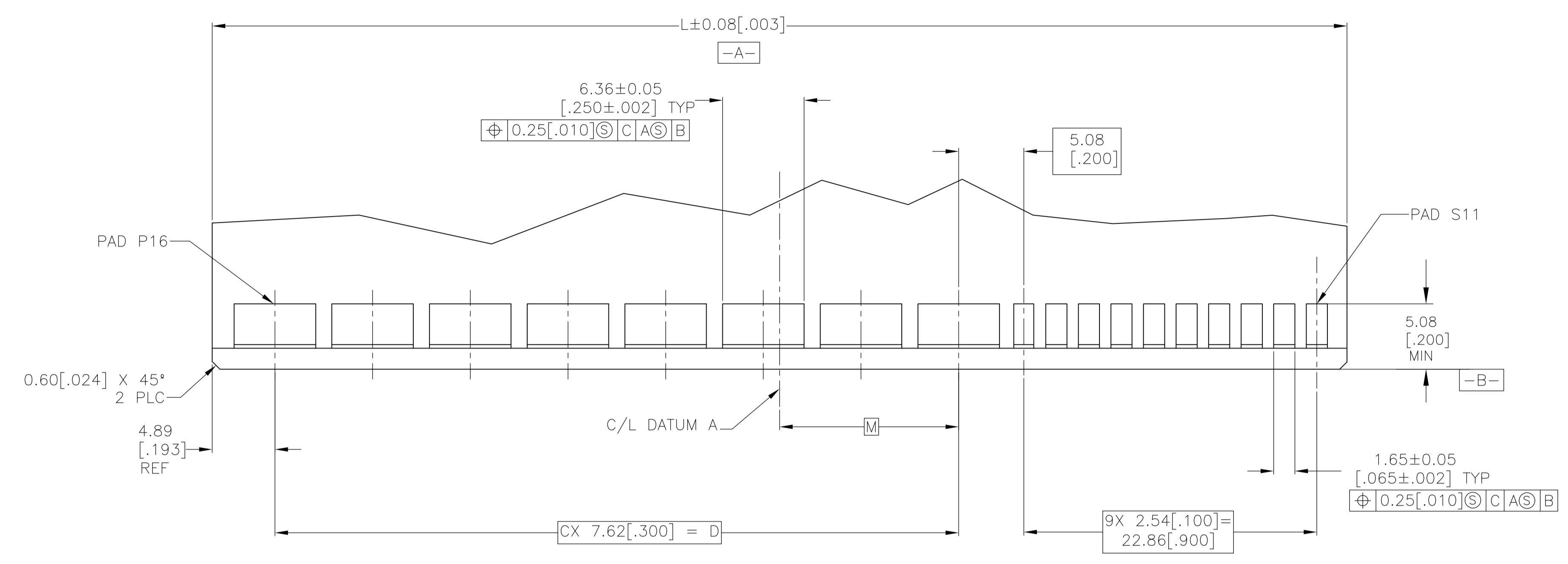
P2, P3, S8, S9, S12, S13, P16, P17	P18	P10	P9	-5.08 [-.200]	50.42 [1.985]	45.72 [1.800]	18	52.07 [2.050]	20.32 [.800]	22.86 [.900]	43.18 [1.700]	15.24 [.600]	2	50.80 [2.000]	54.86 [2.160]	NONE	NONE	10	3	1761426-3
P2, P3, S8, S9, S12, S13, P28, P29	P30	P16	P15	2.54 [.100]	65.66 [2.585]	60.96 [2.400]	24	67.31 [2.650]	35.56 [1.400]	30.48 [1.200]	58.42 [2.300]	30.48 [1.200]	4	66.04 [2.600]	70.10 [2.760]	NONE	NONE	10	5	1761426-2
P2, P3, S8, S9, S12, S13, P46, P47	P48	P25	P24	13.97 [.550]	88.52 [3.485]	83.82 [3.300]	33	90.17 [3.550]	58.42 [2.300]	41.91 [1.650]	81.28 [3.200]	53.34 [2.100]	7	88.90 [3.500]	92.96 [3.660]	NONE	NONE	10	8	1761426-1 (SHOWN)
BOARD RETENTION FEATURE LOCATION	T	R	P	M	L	K	J	H	G	F	E	D	C	B	A	MOLDED KEY LOCATION	OMITTED PIN	NO OF SINGLE POSITIONS	NO OF MULTIPLE POSITIONS	PART NUMBER

THIS DRAWING IS A CONTROLLED DOCUMENT.

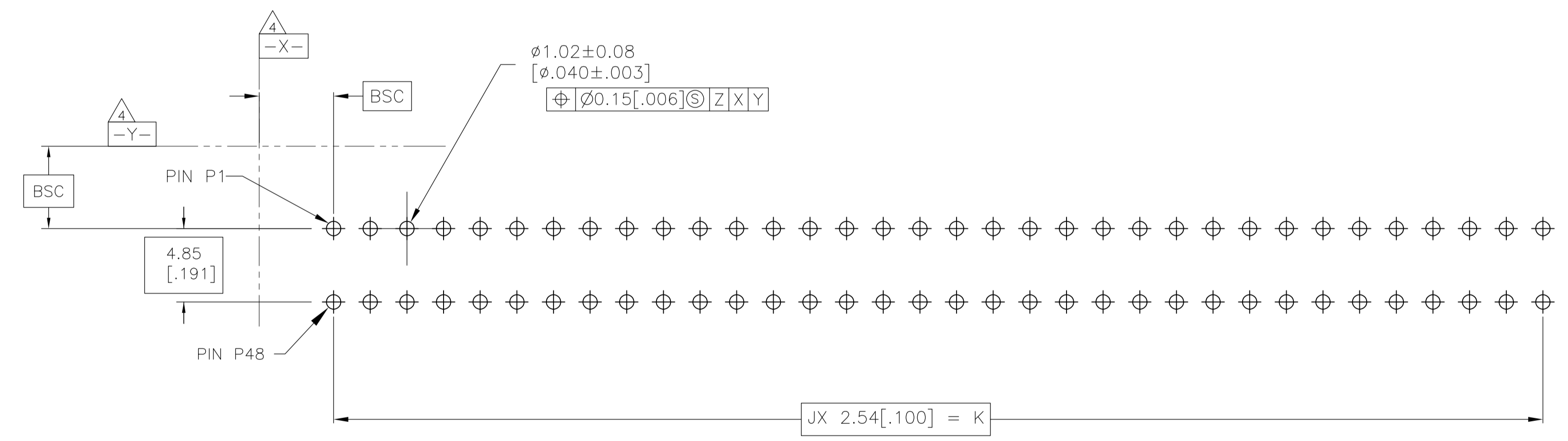
DIMENSIONS:	TOLERANCES UNLESS OTHERWISE SPECIFIED:	0 PLC ± -	1 PLC ± -	2 PLC ± -	3 PLC ± 0.13 [.005]	4 PLC ± -	ANGLES ± °
MATERIAL SEE NOTE 1 & 2	FINISH SEE NOTE 2	SIZE	CAGE CODE	DRAWING NO	RESTRICTED TO		
		A1	00779	1761426			

Customer Drawing SCALE 4:1 SHEET 1 OF 2 REV B

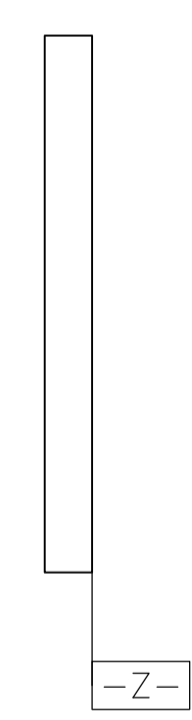
LOC		DIST		REVISIONS			
P	LTR	DESCRIPTION	DATE	DN	APVD		
AA	00	SEE SHEET 1					



RECOMMENDED MATING BOARD EDGE CONFIGURATION  
 -1 CONFIGURATION SHOWN  
 TYP BOTH SIDES



RECOMMENDED PC BOARD HOLE LAYOUT  
 -1 CONFIGURATION SHOWN



THIS DRAWING IS A CONTROLLED DOCUMENT.		DIN AL FRANTUM 09 JUL 04		Tyco Electronics Corporation Middletown, PA 17057	
DIMENSIONS: mm [INCHES]		TOLERANCES UNLESS OTHERWISE SPECIFIED:		Tyco Electronics Corporation Middletown, PA 17057	
0 PLC ± -		1 PLC ± -		NAME: CONNECTOR ASSEMBLY, SEC II POWER, DUAL POSITION, 2.54 [.100] CENTERLINE, CARD EDGE	
1 PLC ± -		2 PLC ± -		SIZE: A1	
2 PLC ± -		3 PLC ± 0.13 [.005]		CAGE CODE: 00779	
3 PLC ± 0.13 [.005]		4 PLC ± -		DRAWING NO: 1761426	
4 PLC ± -		ANGLES ± -		RESTRICTED TO: -	
MATERIAL: SEE PAGE 1		FINISH: SEE PAGE 1		SCALE: 5:1	
		WEIGHT: -		SHEET 2 OF 2	
		CUSTOMER DRAWING		REV B	