



Chipsmall Limited consists of a professional team with an average of over 10 year of expertise in the distribution of electronic components. Based in Hongkong, we have already established firm and mutual-benefit business relationships with customers from,Europe,America and south Asia,supplying obsolete and hard-to-find components to meet their specific needs.

With the principle of “Quality Parts,Customers Priority,Honest Operation,and Considerate Service”,our business mainly focus on the distribution of electronic components. Line cards we deal with include Microchip,ALPS,ROHM,Xilinx,Pulse,ON,Everlight and Freescale. Main products comprise IC,Modules,Potentiometer,IC Socket,Relay,Connector.Our parts cover such applications as commercial,industrial, and automotives areas.

We are looking forward to setting up business relationship with you and hope to provide you with the best service and solution. Let us make a better world for our industry!



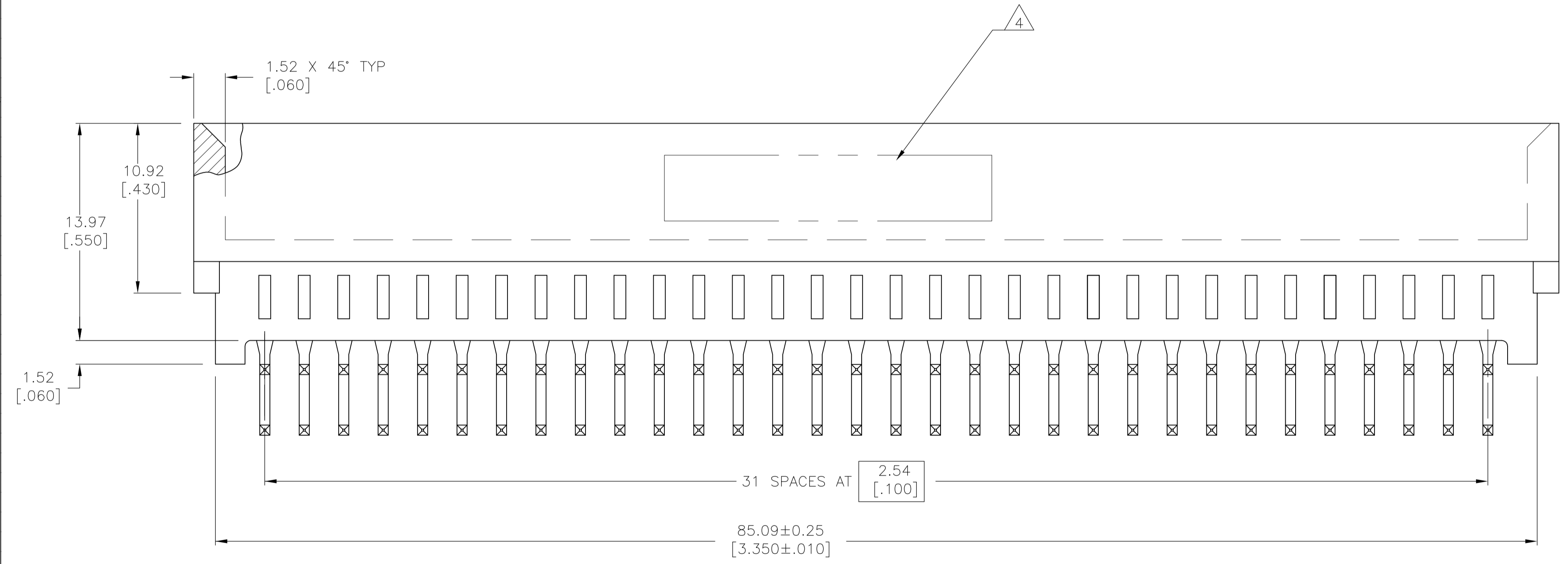
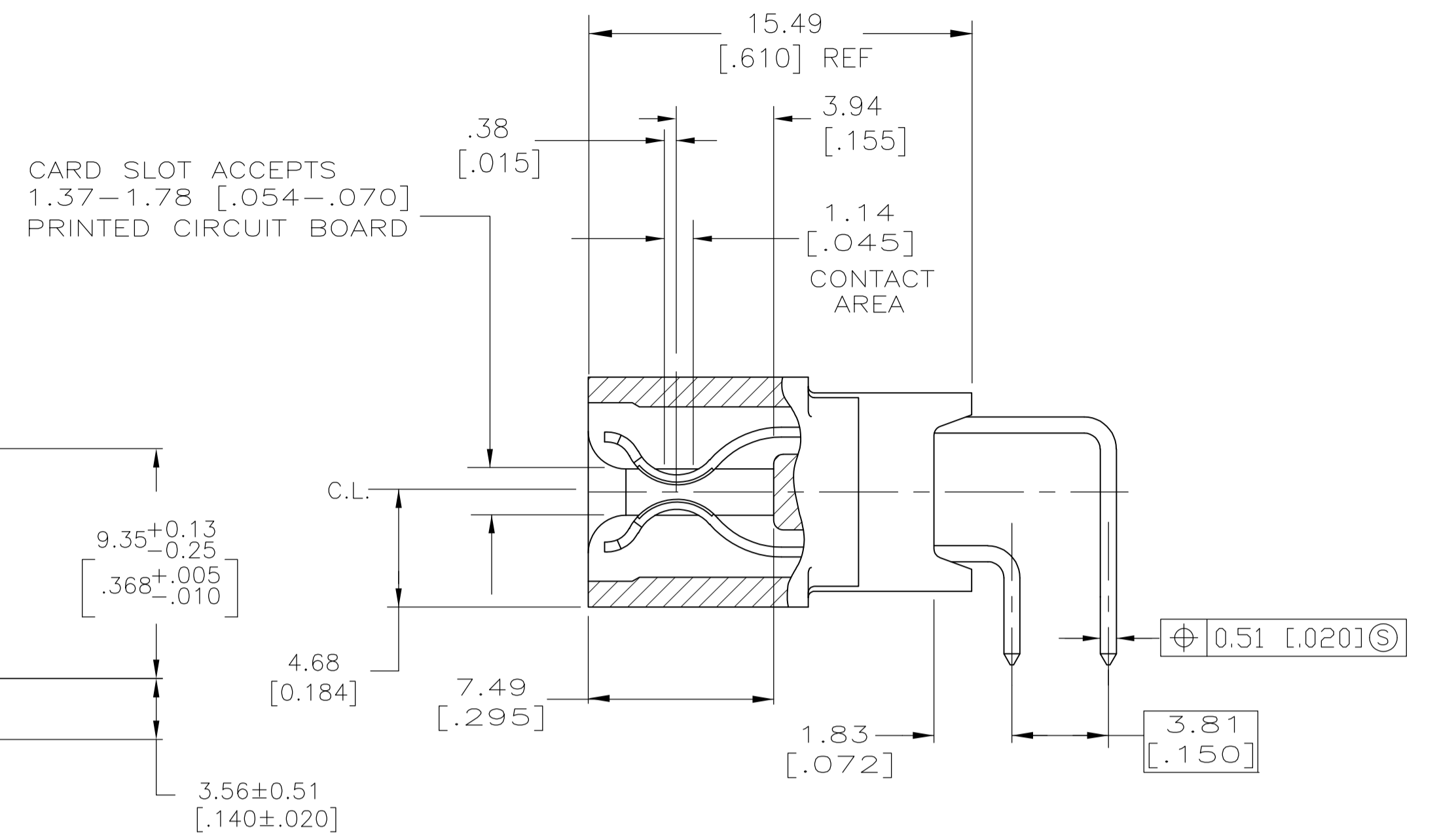
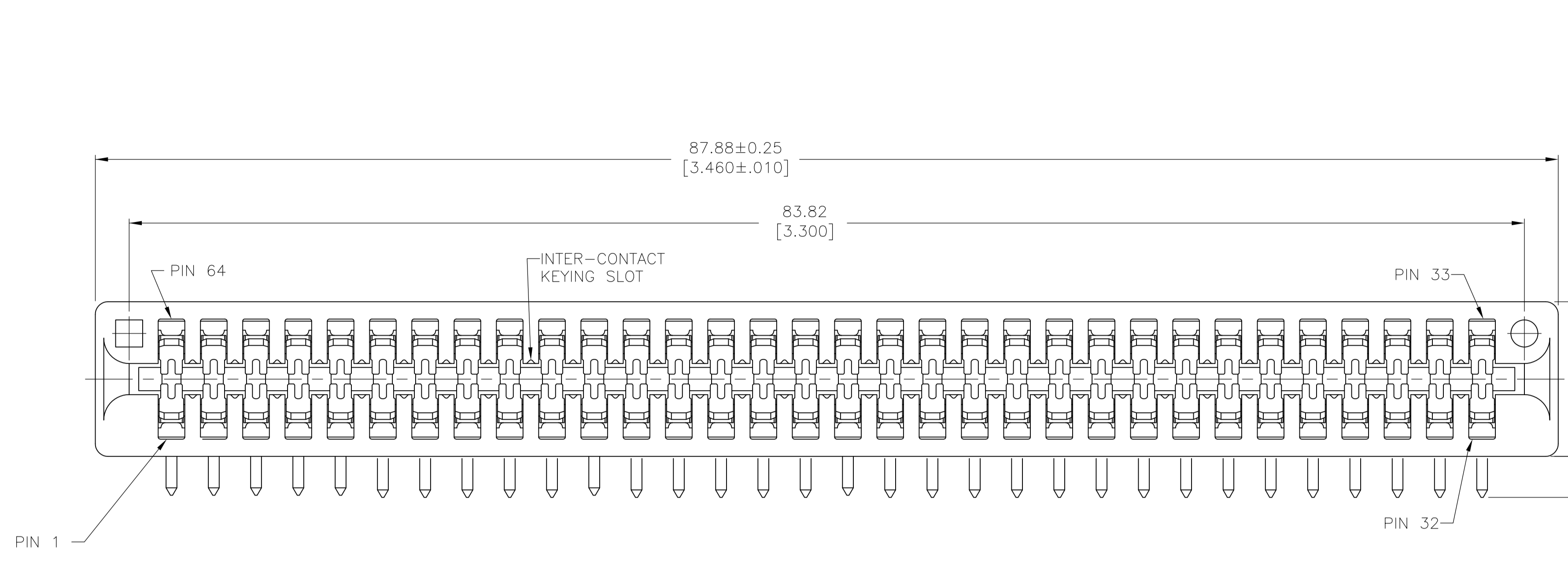
Contact us

Tel: +86-755-8981 8866 Fax: +86-755-8427 6832

Email & Skype: info@chipsmall.com Web: www.chipsmall.com

Address: A1208, Overseas Decoration Building, #122 Zhenhua RD., Futian, Shenzhen, China

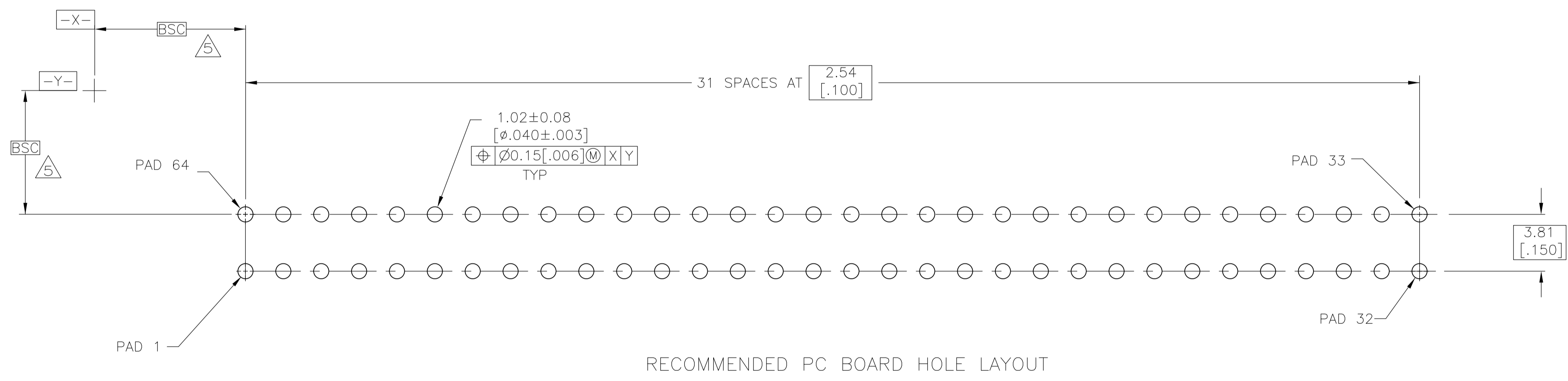
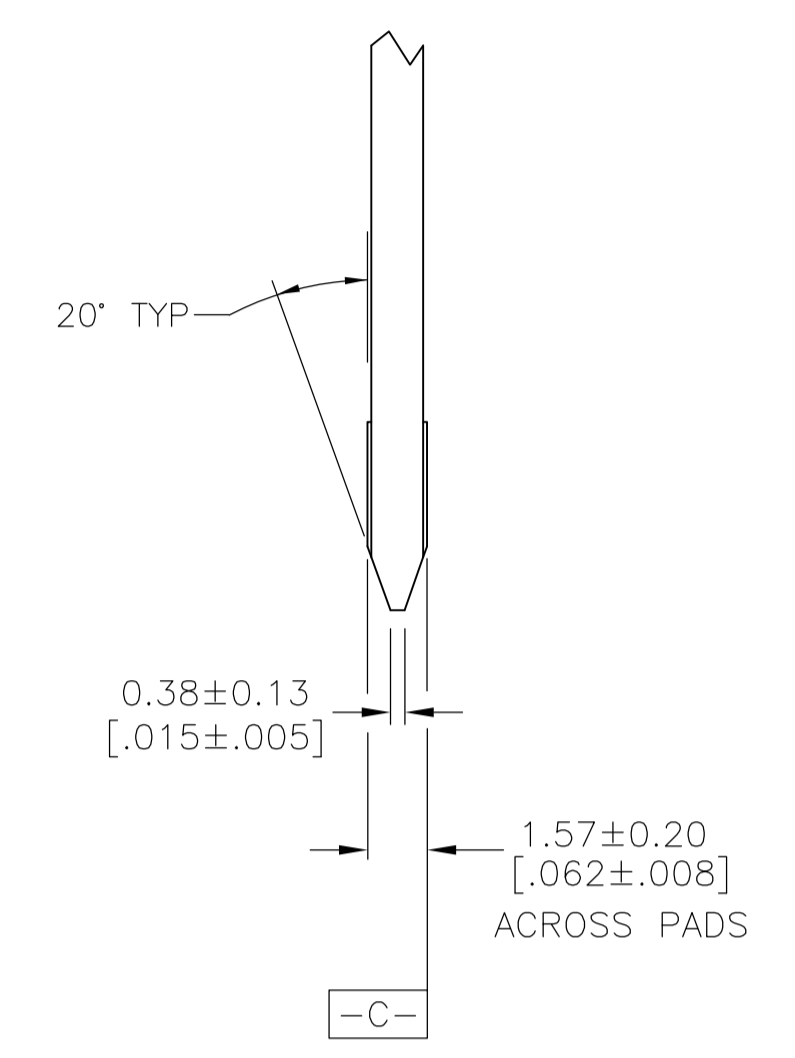
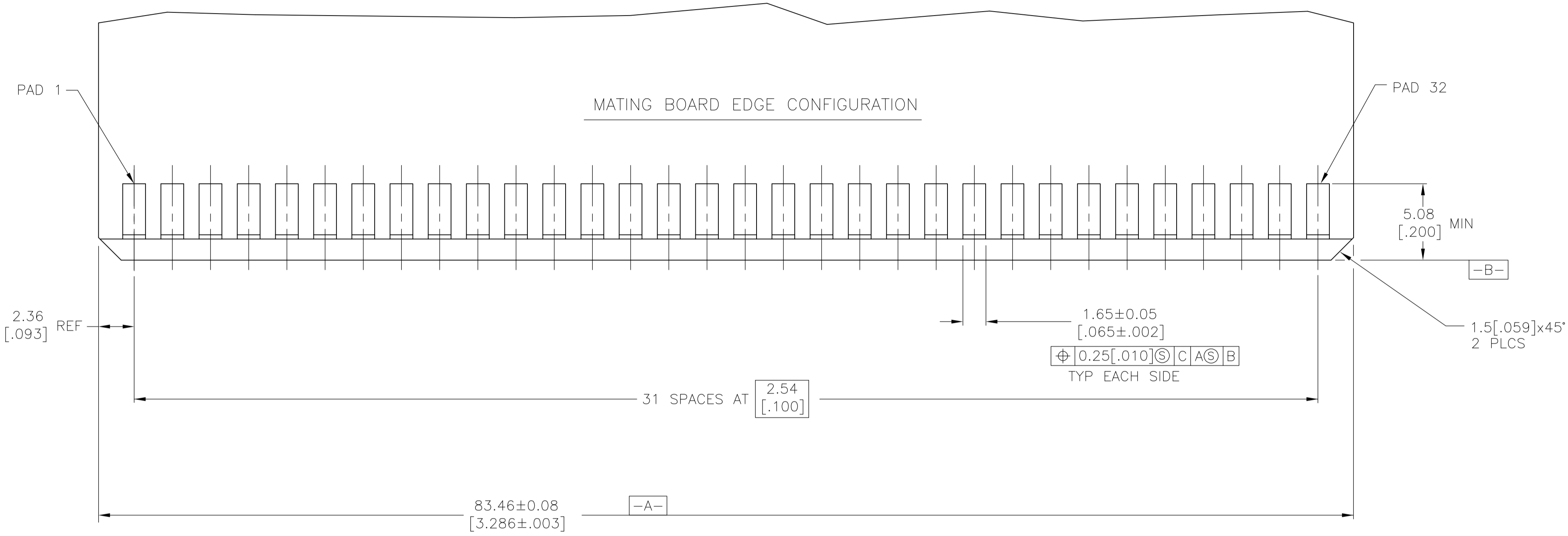




- HOUSING: GLASS FILLED POLYESTER, BLACK.
 - CONTACT: HIGH CONDUCTIVITY COPPER ALLOY.
 NICKEL PLATE .00127 [.000050] MIN - ALL OVER.
 MATTE TIN PLATE .00254 [.000100] MIN - SOLDER POSTS.
 GOLD PLATE .00038 [.000015] MIN - MATING AREA.
 - NICKEL PLATE PER MIL-G-45204
 GOLD PLATE PER QQ-N-290
- △ TYCO PART NUMBER AND DATE CODE MAY BE MARKED IN APPROXIMATE AREA SHOWN, EITHER SIDE.
 ▽ DATUMS PLUS BASIC DIMENSIONS ESTABLISHED BY CUSTOMER.

1761468-1
 PART NUMBER

THIS DRAWING IS A CONTROLLED DOCUMENT.		DIN R GRZYBOWSKI 21SEPT04	Tyco Electronics Corporation Harrisburg, PA, 17105-3608	
DIMENSIONS: mm [INCHES]		CHK A FRANTUM 21SEPT04	NAME	
TOLERANCES UNLESS OTHERWISE SPECIFIED:		APVD A FRANTUM 21SEPT04	PRODUCT SPEC	
0. PLC ± -	1. PLC ± -	108-9039		
2. PLC ± .13[.005]	3. PLC ± -	APPLICATION SPEC		
4. PLC ± -	ANGLES ± °	SIZE A1	CAGE CODE 00779	DRAWING NO. 1761468
MATERIAL SEE NOTE 1 & 2	FINISH SEE NOTE 2 & 3	WEIGHT	RESTRICTED TO	
		CUSTOMER DRAWING	SCALE 5:1	SHEET 1 OF 2 REV C2



THIS DRAWING IS A CONTROLLED DOCUMENT.		DIN R GRZYBOWSKI 21SEPT04	Tyco Electronics Corporation Harrisburg, PA, 17105-3608	
DIMENSIONS: mm [INCHES]		CHK A FRANTUM 21SEPT04	NAME	
TOLERANCES UNLESS OTHERWISE SPECIFIED:		APVD A FRANTUM 21SEPT04	PRODUCT SPEC	
0 PLC ± -	1 PLC ± -	108-9039		
2 PLC ± .13[.005]	3 PLC ± -	APPLICATION SPEC		
4 PLC ± -	ANGLES ± ± °	114-13018		
MATERIAL SEE SHEET 1	FINISH SEE SHEET 1	WEIGHT -	SIZE A1	SCALE 5:1
CUSTOMER DRAWING		DRAWING NO 00779	REV C2	SHEET 2 OF 2