



Chipsmall Limited consists of a professional team with an average of over 10 year of expertise in the distribution of electronic components. Based in Hongkong, we have already established firm and mutual-benefit business relationships with customers from,Europe,America and south Asia,supplying obsolete and hard-to-find components to meet their specific needs.

With the principle of “Quality Parts,Customers Priority,Honest Operation,and Considerate Service”,our business mainly focus on the distribution of electronic components. Line cards we deal with include Microchip,ALPS,ROHM,Xilinx,Pulse,ON,Everlight and Freescale. Main products comprise IC,Modules,Potentiometer,IC Socket,Relay,Connector.Our parts cover such applications as commercial,industrial, and automotives areas.

We are looking forward to setting up business relationship with you and hope to provide you with the best service and solution. Let us make a better world for our industry!



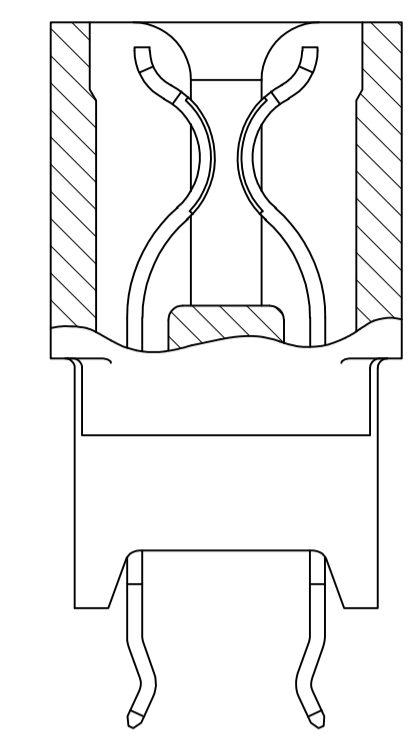
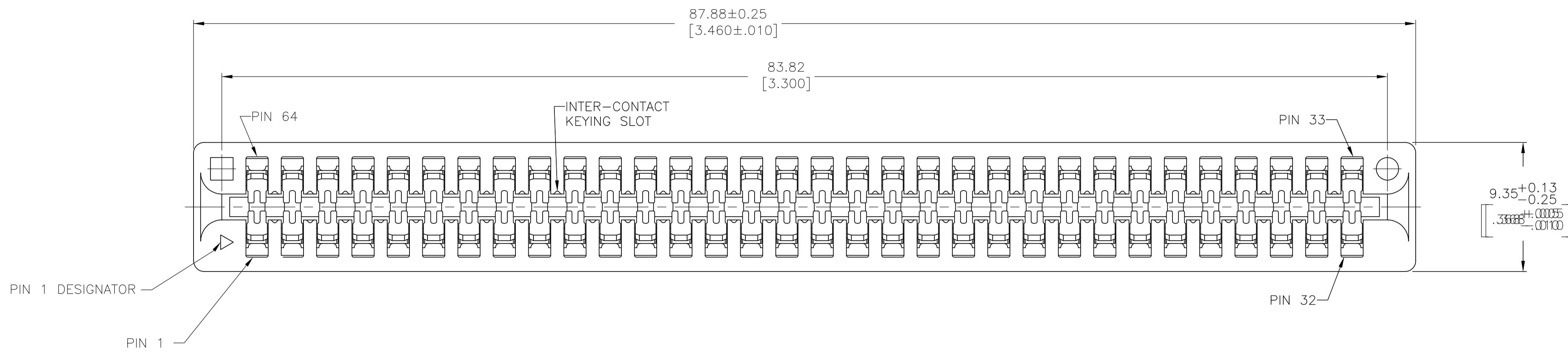
Contact us

Tel: +86-755-8981 8866 Fax: +86-755-8427 6832

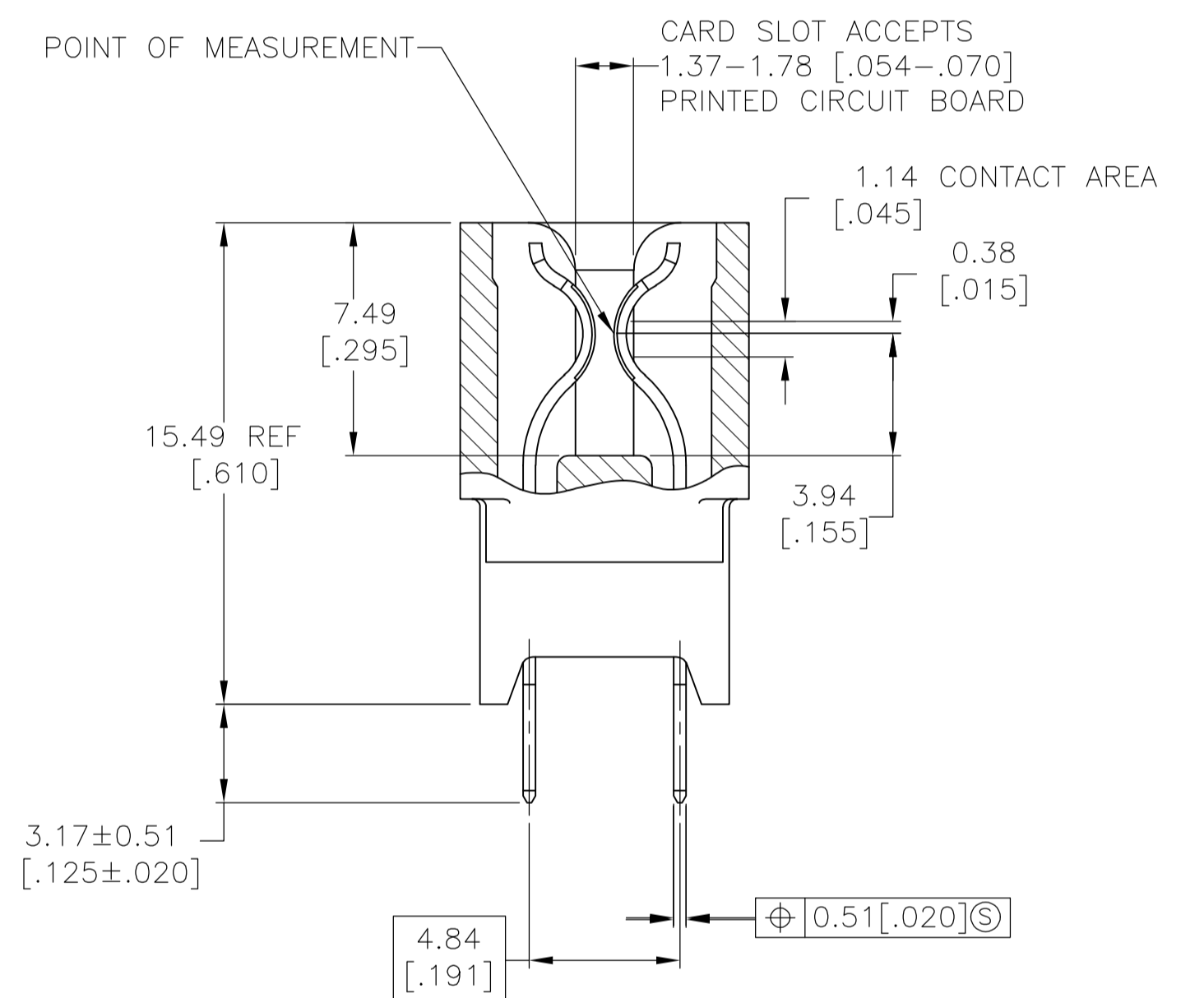
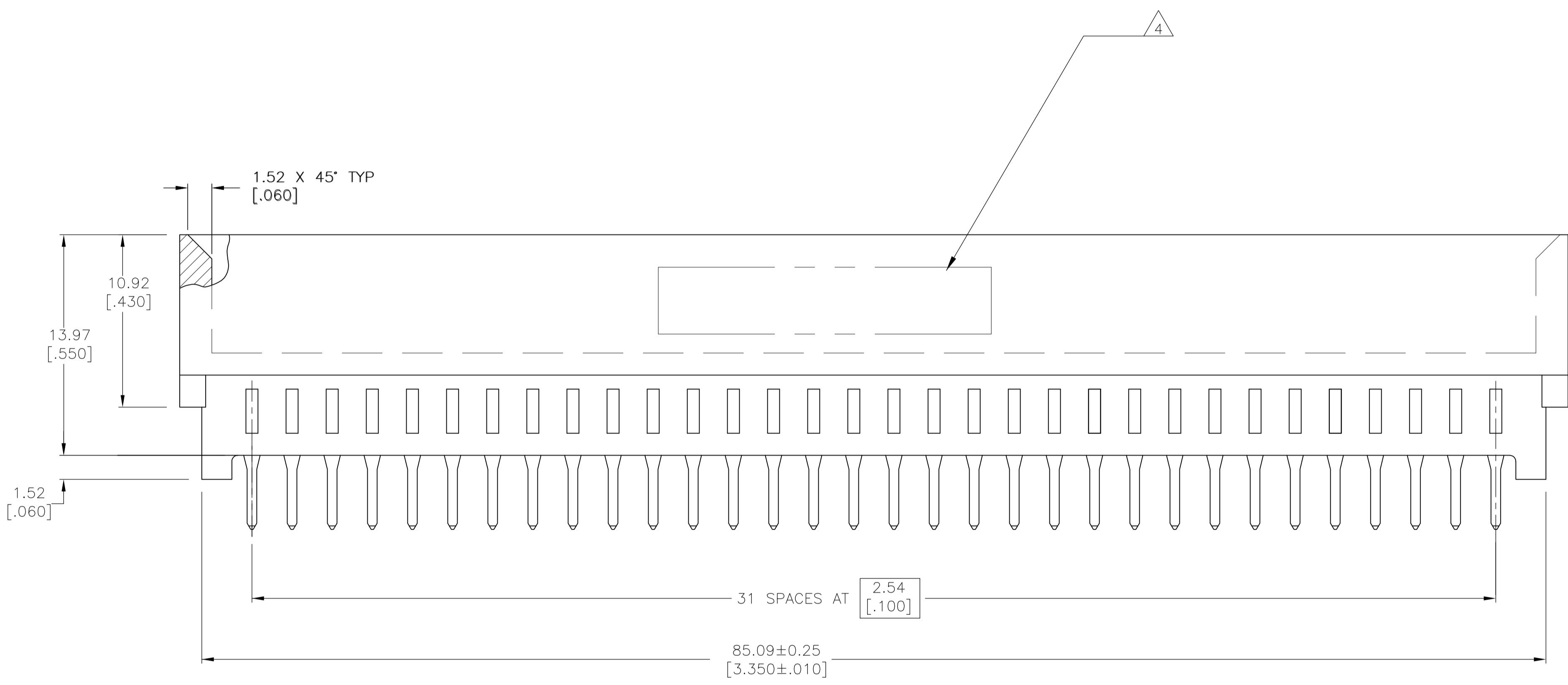
Email & Skype: info@chipsmall.com Web: www.chipsmall.com

Address: A1208, Overseas Decoration Building, #122 Zhenhua RD., Futian, Shenzhen, China





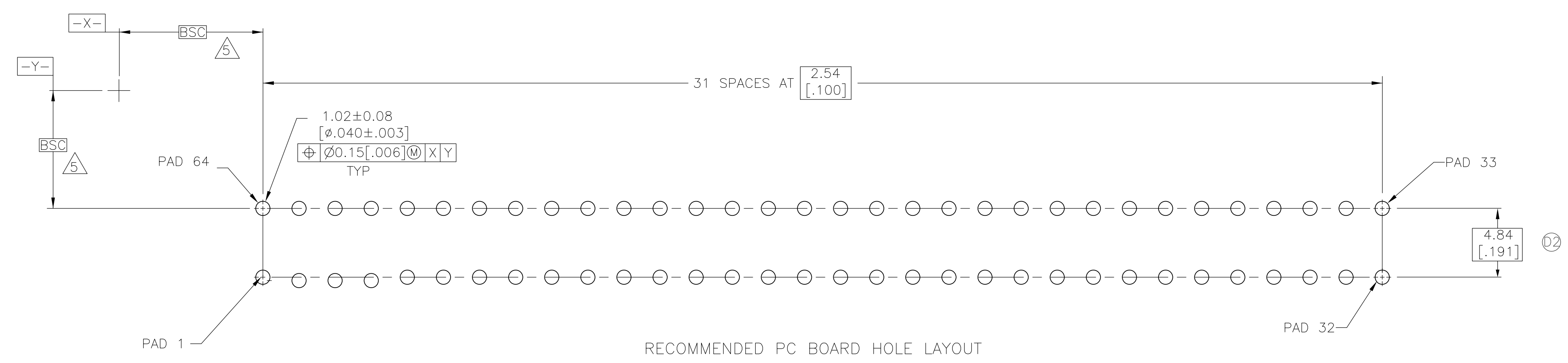
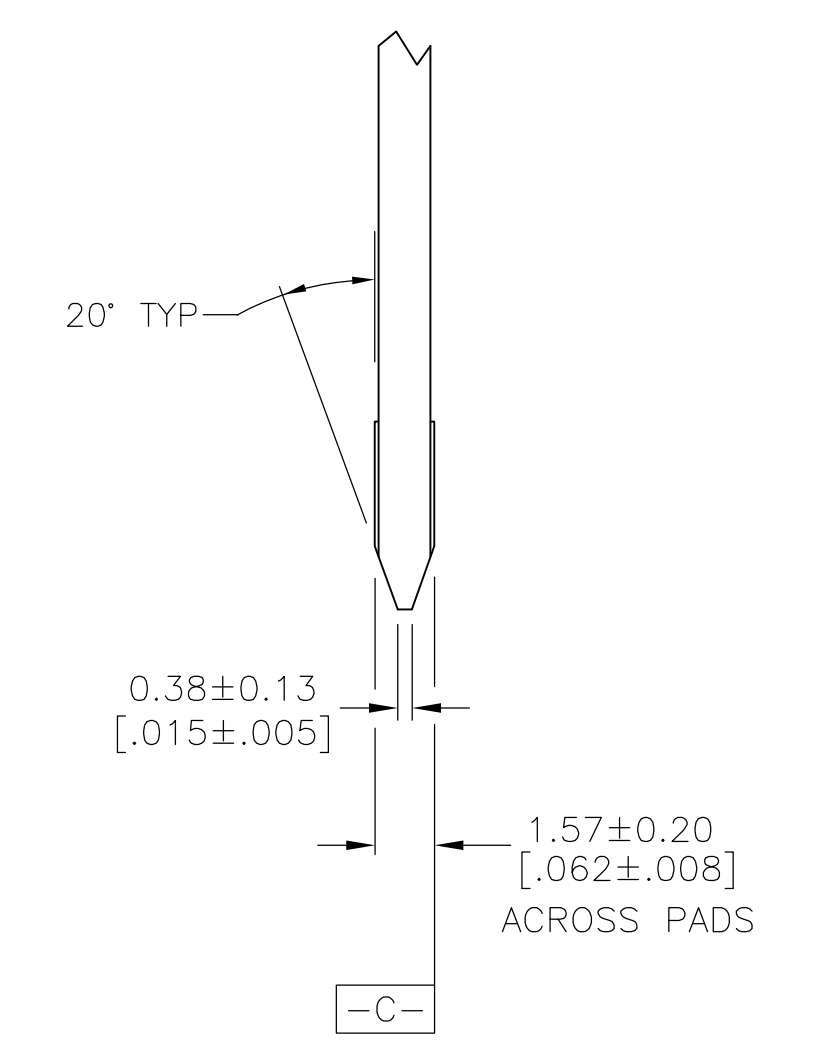
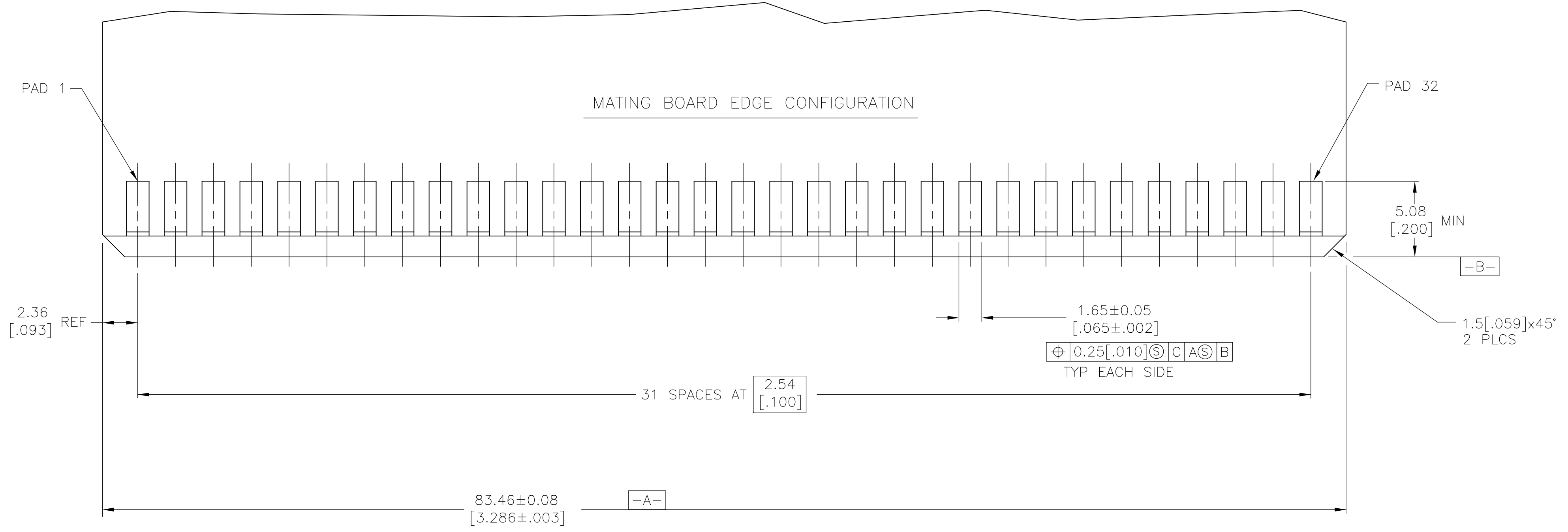
BOARD RETENTION FEATURE



- 1 HOUSING: GLASS FILLED POLYESTER, BLACK.
- 2 CONTACT: HIGH CONDUCTIVITY COPPER ALLOY.
NICKEL PLATE: 0.00127 [.000050] MIN - ALL OVER.
MATTE TIN PLATE: 0.00254 [.000100] MIN - SOLDER POSTS.
GOLD PLATE: 0.00076 [.000030] MIN - CONTACT AREA.
- 3. NICKEL PLATE PER MIL-G-45204.
GOLD PLATE PER QQ-N-290.
- 4 AMP PART NUMBER AND DATE CODE MAY BE MARKED IN APPROXIMATE AREA SHOWN, EITHER SIDE.
- 5 DATUMS PLUS BASIC DIMENSIONS ESTABLISHED BY CUSTOMER.

2,3,30,31, 34,35,62,63	1761469-1
RETENTION LOCATION	PART NUMBER

THIS DRAWING IS A CONTROLLED DOCUMENT.		DIN R. GRZYBOWSKI 21SEPT04	TE Connectivity
DIMENSIONS: mm [INCHES]		CHK A. FRANTUM 21SEPT04	
TOLERANCES UNLESS OTHERWISE SPECIFIED:		APVD A. FRANTUM 21SEPT04	NAME
0. PLC ± -	1. PLC ± -	PRODUCT SPEC	CONNECTOR ASSEMBLY,
2. PLC ± .13[.005]	3. PLC ± -	APPLICATION SPEC	STANDARD EDGE II, HIGH CURRENT
4. PLC ± -	ANGLES ± °	114-13018	DUAL POSITION, 2.54 [.100] CENTERLINE
MATERIAL	FINISH	SIZE	CAGE CODE DRAWING NO
1 2	2	A1	00779 C=1761469
CUSTOMER DRAWING		WEIGHT	RESTRICTED TO
		SCALE 5:1	SHEET 1 OF 2
			REV D2



THIS DRAWING IS A CONTROLLED DOCUMENT.		DRN: R. GRZYBOWSKI 21SEP104	
DIMENSIONS: mm [INCHES]		CHK: A. FRANTUM 21SEP104	
TOLERANCES UNLESS OTHERWISE SPECIFIED:		APPD: A. FRANTUM 21SEP104	NAME: CONNCTOR ASSEMBLY, STANDARD EDGE II, HIGH CURRENT DUAL POSITION, 2.54 [.100] CENTERLINE
0 PLC ± -	1 PLC ± -	PRODUCT SPEC: 108-2148	SIZE: A1
2 PLC ± .13 [.005]	3 PLC ± -	APPLICATION SPEC: 114-13018	CAGE CODE: 00779
4 PLC ± -	ANGLES ± 2°	FINISH: SEE SHEET 1	DRAWING NO: 1761469
MATERIAL: SEE SHEET 1	FINISH: SEE SHEET 1	WEIGHT: -	RESTRICTED TO: -
CUSTOMER DRAWING		SCALE: 5:1	SHEET 2 OF 2 REV D2