



Chipsmall Limited consists of a professional team with an average of over 10 year of expertise in the distribution of electronic components. Based in Hongkong, we have already established firm and mutual-benefit business relationships with customers from,Europe,America and south Asia,supplying obsolete and hard-to-find components to meet their specific needs.

With the principle of “Quality Parts,Customers Priority,Honest Operation,and Considerate Service”,our business mainly focus on the distribution of electronic components. Line cards we deal with include Microchip,ALPS,ROHM,Xilinx,Pulse,ON,Everlight and Freescale. Main products comprise IC,Modules,Potentiometer,IC Socket,Relay,Connector.Our parts cover such applications as commercial,industrial, and automotives areas.

We are looking forward to setting up business relationship with you and hope to provide you with the best service and solution. Let us make a better world for our industry!



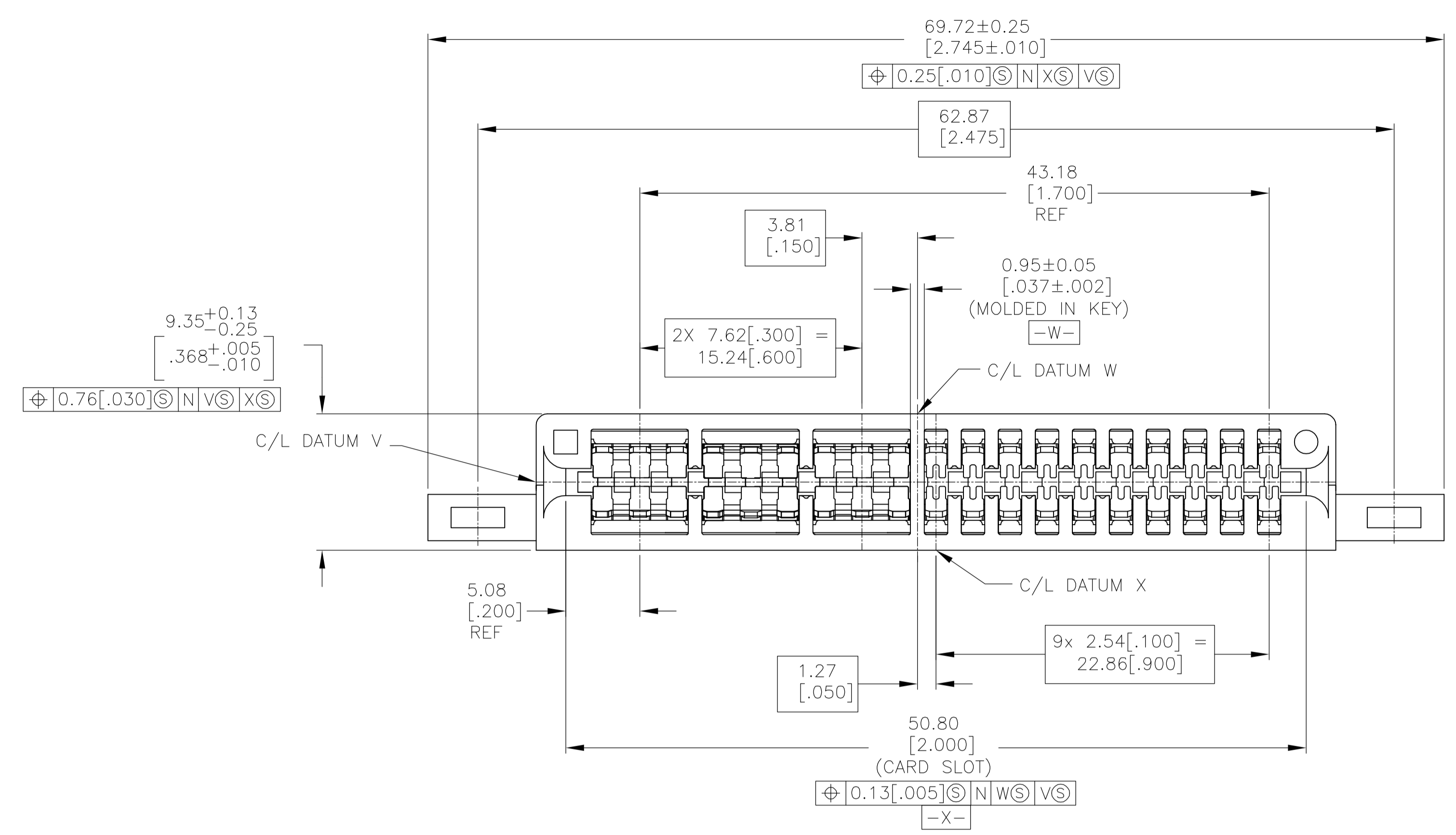
Contact us

Tel: +86-755-8981 8866 Fax: +86-755-8427 6832

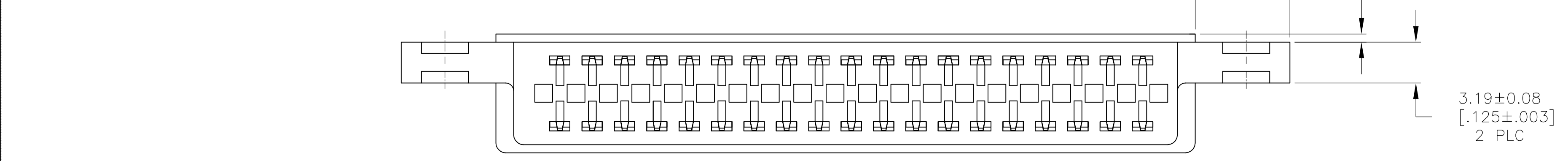
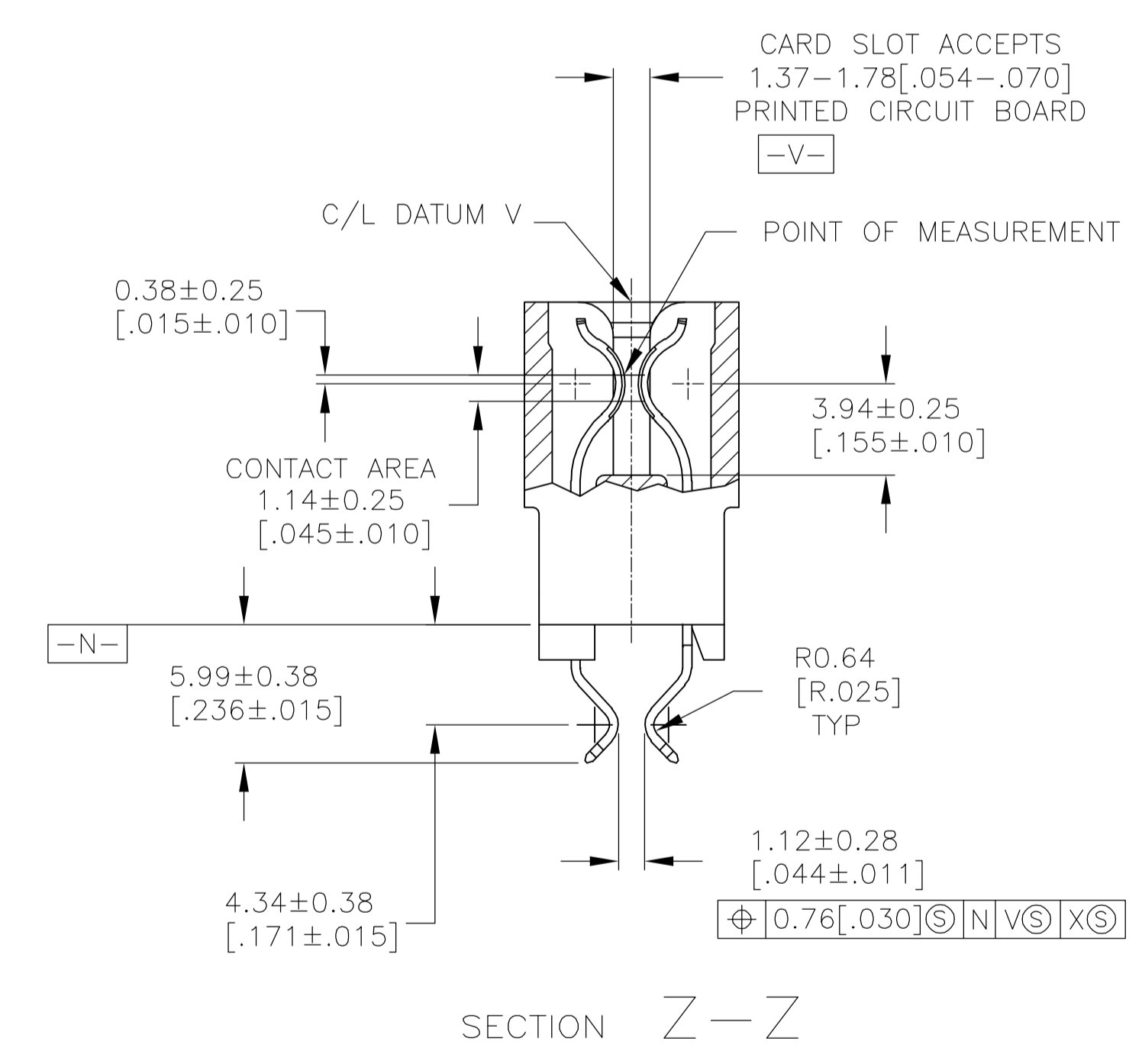
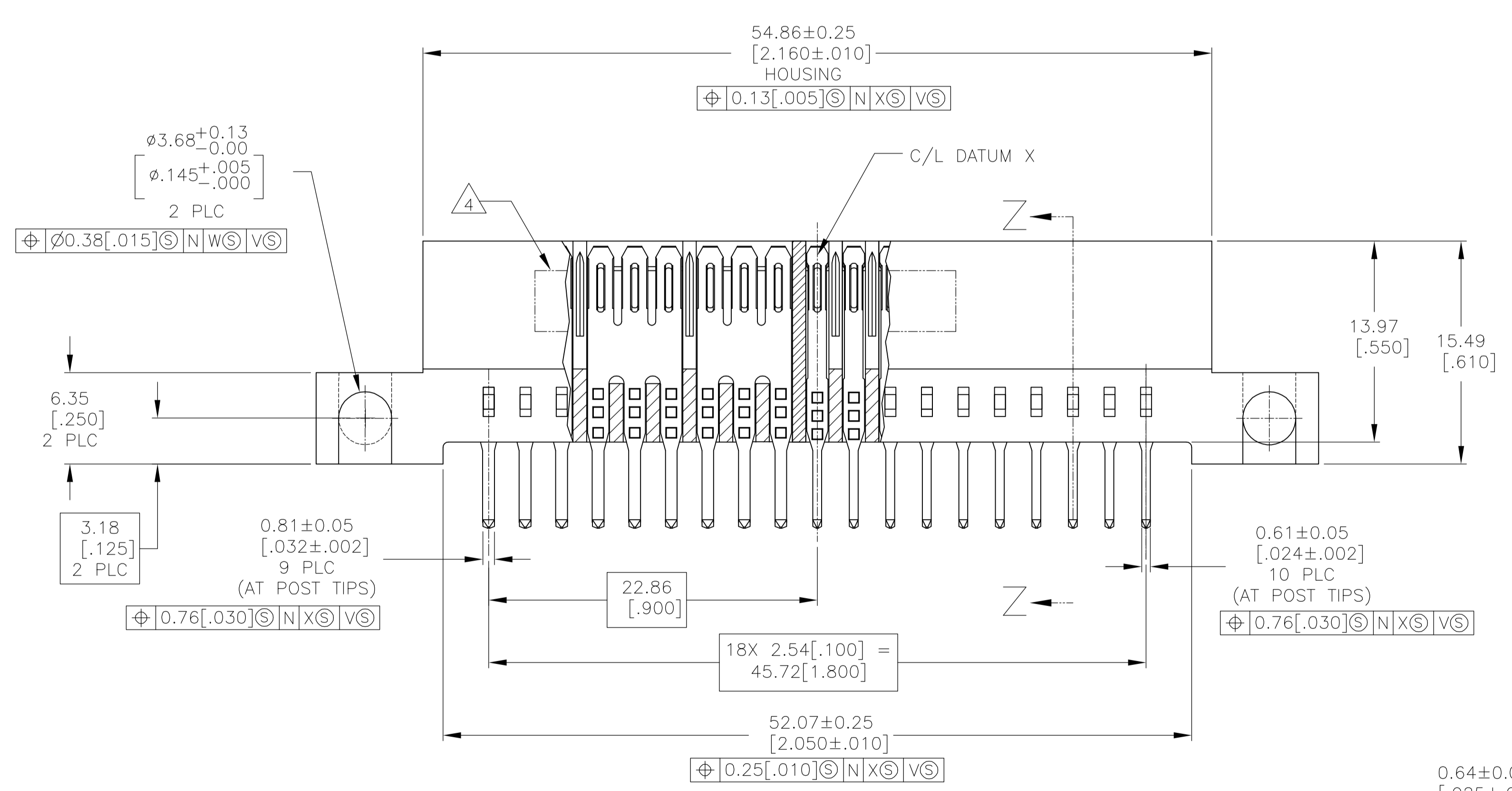
Email & Skype: info@chipsmall.com Web: www.chipsmall.com

Address: A1208, Overseas Decoration Building, #122 Zhenhua RD., Futian, Shenzhen, China





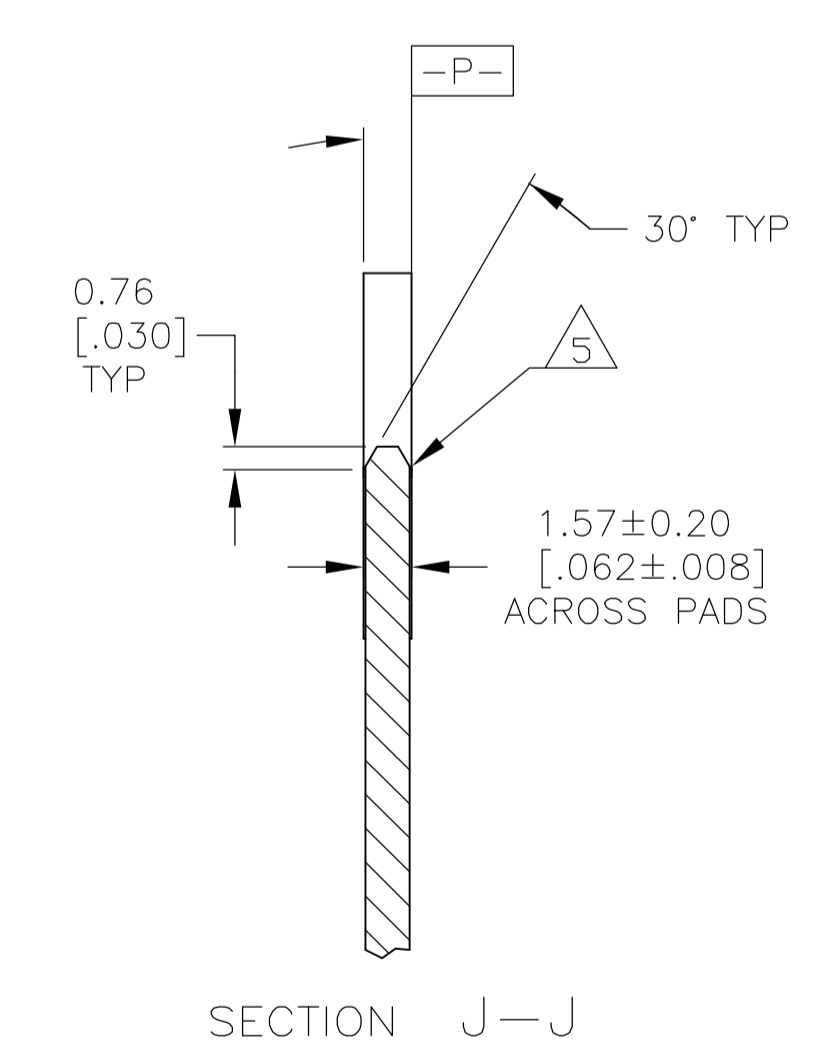
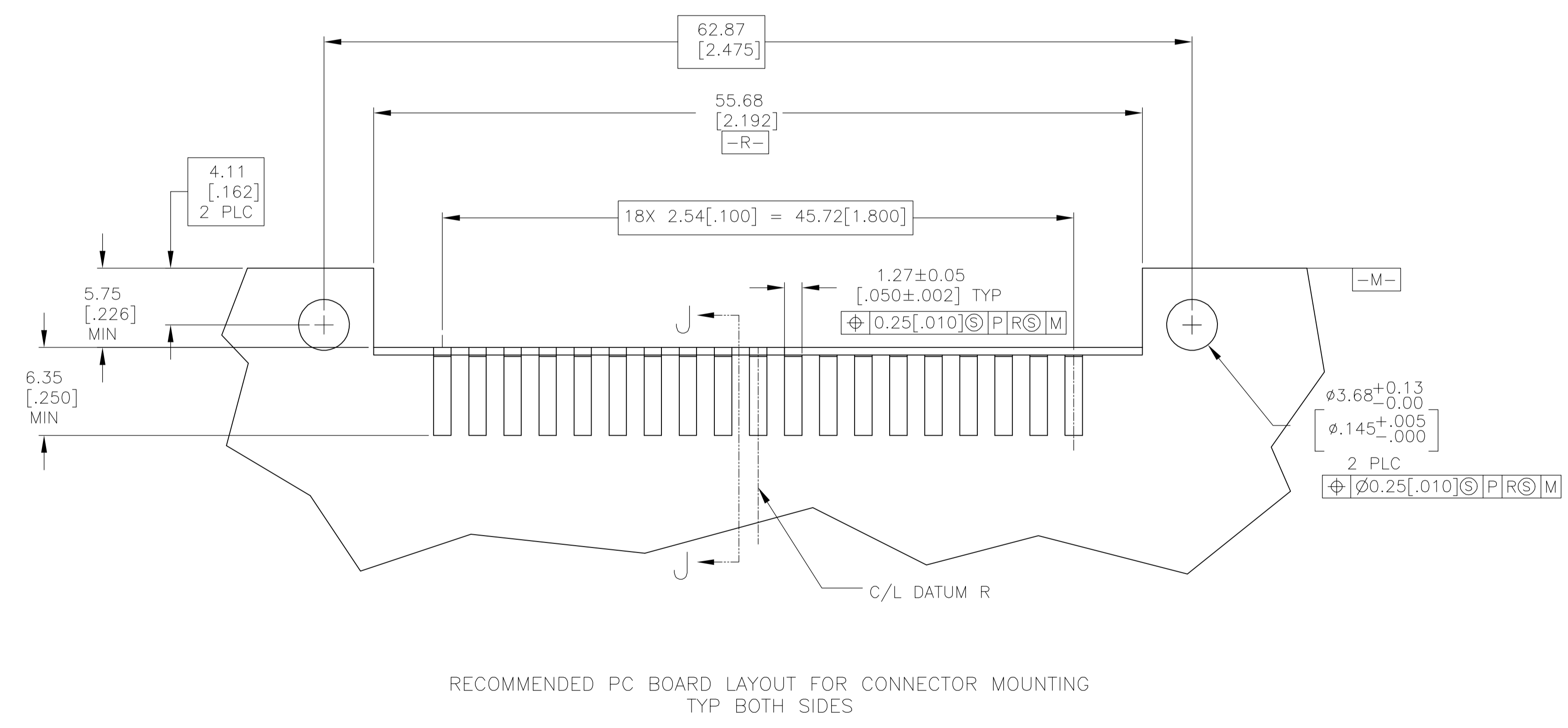
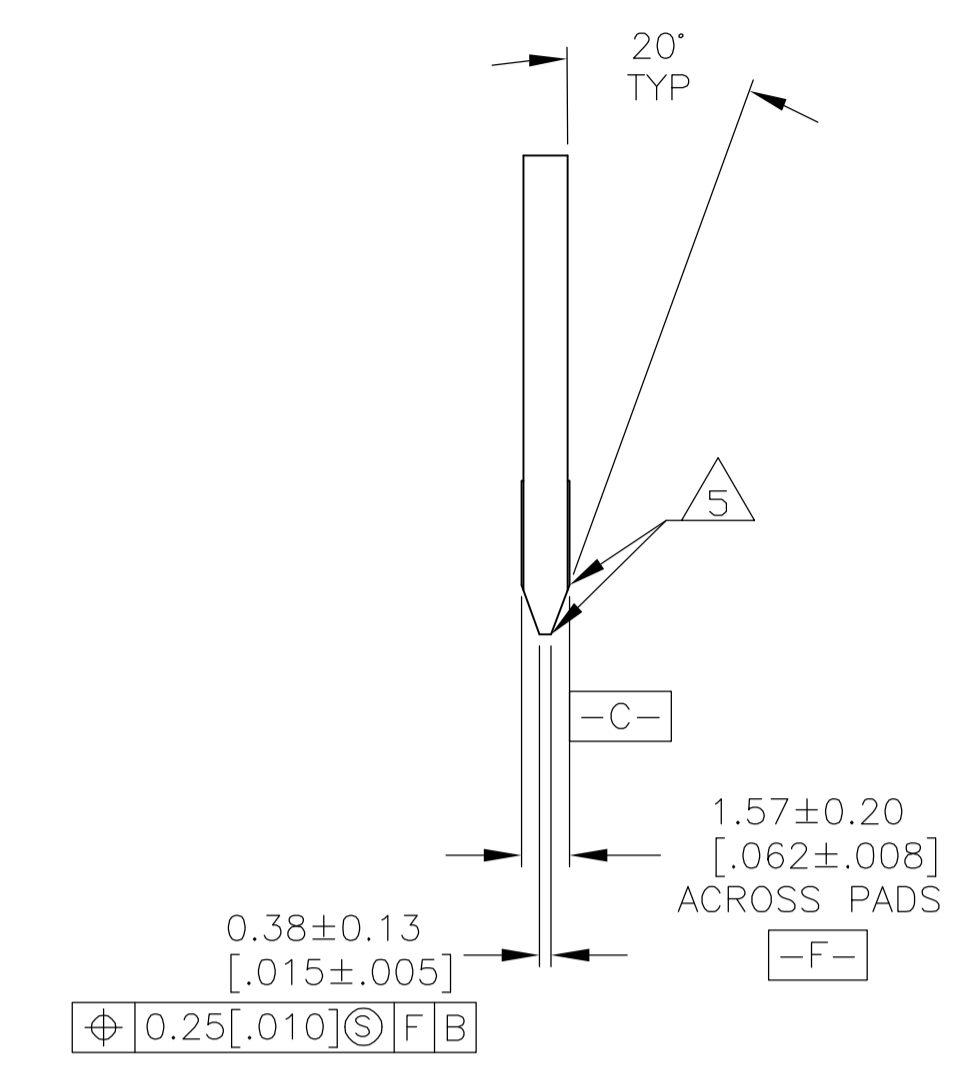
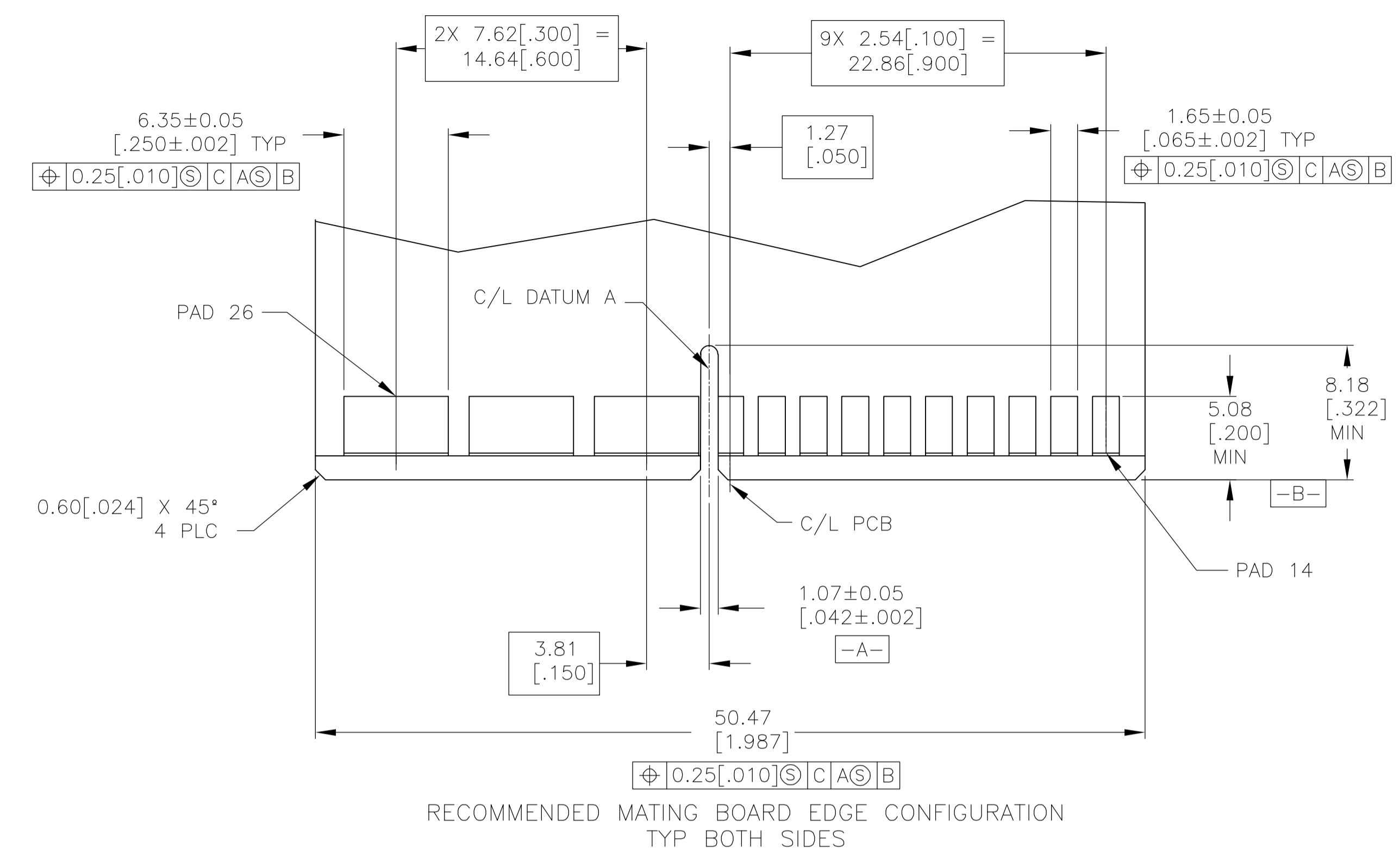
- HOUSING MATERIAL: GLASS FILLED POLYESTER, COLOR: BLACK
 - CONTACT BASE MATERIAL: HIGH CONDUCTIVITY COPPER ALLOY
 - CONTACT FINISH: NICKEL PLATE, .00127 [0.00050] MIN, ALL OVER
 MATTE TIN PLATE, .00254 [0.00100] MIN ON SOLDER POSTS,
 GOLD PLATE, .00076 [0.00030] MIN IN MATING INTERFACE
- △ AMP PART NUMBER AND DATE CODE MARKED IN APPROXIMATE AREA SHOWN
 △ NO BURRS AND/OR SHARP EDGES ARE PERMISSABLE



10	3	1761500-1
NO OF SINGLE POSITIONS	NO OF MULTIPLE POSITIONS	PART NUMBER

THIS DRAWING IS A CONTROLLED DOCUMENT.

DIMENSIONS:	TOLERANCES UNLESS OTHERWISE SPECIFIED:	DIN AL FRANTUM 08JUNE2005	tyco Electronics	Tyco Electronics Corporation Harrisburg, PA 17105-3608
MM (INCHES)	0 PLC ± - 1 PLC ± - 2 PLC ± ± 0.13[.005] 3 PLC ± ± - 4 PLC ± ± - ANGLES ± ± 1	AL FRANTUM 08JUNE2005	NAME	CONNECTOR ASSEMBLY, SEC II POWER, DUAL POSITION, 2.54[.100] CENTERLINE, CARD EDGE
		S FLICKINGER 26JUNE2006	PRODUCT SPEC	108-2202
			APPLICATION SPEC	114-13018
MATERIAL SEE NOTE 1 & 2	FINISH SEE NOTE 3	WEIGHT	SIZE	SCALE
			A1 00779	4:1
			1761500	
			CUSTOMER DRAWING	SHEET 1 OF 2



THIS DRAWING IS A CONTROLLED DOCUMENT.		DIN AL FRANTUM 08JUNE2005		Tyco Electronics Corporation Harrisburg, PA 17105-3608
DIMENSIONS: MM (INCHES)		AL FRANTUM 08JUNE2005		NAME
TOLERANCES UNLESS OTHERWISE SPECIFIED:		APVD S. FLICKINGER 29JUNE2006	PRODUCT SPEC	108-2202
0 PLC ± -		APPLICATION SPEC	114-13018	RESTRICTED TO
1 PLC ± -		SIZE	A1	00779
2 PLC ± ± 0.25 [.010]		SCALE	4:1	SHEET 2 OF 2
3 PLC ± ± -		WEIGHT	-	REV B
4 PLC ± ± -		CUSTOMER DRAWING	SCALE 4:1	SHEET 2 OF 2
ANGLES ± ± 1		FINISH	SEE SHEET 1	REV B
MATERIAL SEE SHEET 1		FINISH	SEE SHEET 1	REV B