



Chipsmall Limited consists of a professional team with an average of over 10 year of expertise in the distribution of electronic components. Based in Hongkong, we have already established firm and mutual-benefit business relationships with customers from,Europe,America and south Asia,supplying obsolete and hard-to-find components to meet their specific needs.

With the principle of “Quality Parts,Customers Priority,Honest Operation,and Considerate Service”,our business mainly focus on the distribution of electronic components. Line cards we deal with include Microchip,ALPS,ROHM,Xilinx,Pulse,ON,Everlight and Freescale. Main products comprise IC,Modules,Potentiometer,IC Socket,Relay,Connector.Our parts cover such applications as commercial,industrial, and automotives areas.

We are looking forward to setting up business relationship with you and hope to provide you with the best service and solution. Let us make a better world for our industry!



## Contact us

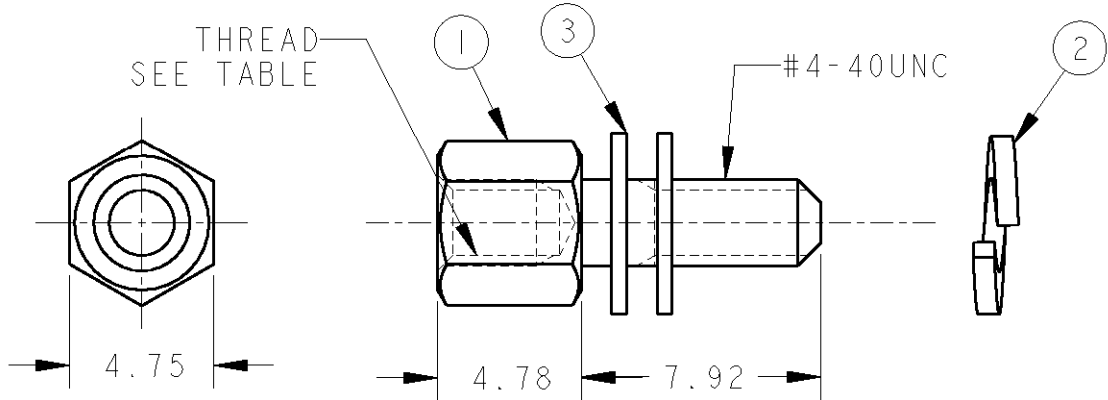
Tel: +86-755-8981 8866 Fax: +86-755-8427 6832

Email & Skype: info@chipsmall.com Web: www.chipsmall.com

Address: A1208, Overseas Decoration Building, #122 Zhenhua RD., Futian, Shenzhen, China



LOC	DIST	REVISIONS 変更					
		P	LTR	DESCRIPTION	DATE	DWN	APVD
J	-		B	REVISED FJ00-0588-01	06APR2001	C.O	K.I



1. THESE PARTS MUST BE PACKAGED WITH UNASSEMBLY.
2. THIS KIT MUST CONTAIN TWO SCREWLOCK ASSEMBLIES.
3. SCREW ON TORQUE MAX; 8Kg-cm
4. GENERAL TOLERANCE;  $\pm 0.2$ ,  $\pm 3^\circ$

1. これらの部品は、バラ状でパッケージされていること。
2. このセットは、2セットのスクリューロック・アッセンブリからなる。
3. 締め付け最大トルク値; 8Kg-cm
4. 一般公差;  $\pm 0.2$ ,  $\pm 3^\circ$

OBSOLETE

(B)

QTY	UNIT	LOC	DIST	PARTS NUMBER 型番	DISCRIPTION 名称	REMARKS 概要	ITEM
2	—	—	—	174327-1	SCREWLOCK スクリューロック(M2.6 #4-40)	CARBON STEEL アンプリマイト用炭素鋼	1
—	2	—	—	173034-1	SCREWLOCK スクリューロック(M3 #4-40)	CARBON STEEL アンプリマイト用炭素鋼	1
4	4	4	—	172619-1	PLANE WASHER 平ワッシャー	JIS B 1256 SC3-10H CARBON STEEL 炭素鋼	3
2	2	2	—	172618-1	SPLING LOCK WASHER スプリング・ロック・ワッシャー	JIS B 1251 NO.2,3S CARBON STEEL 炭素鋼	2
—	—	2	—	172617-1	SCREWLOCK スクリューロック(#4-40 #4-40)	CARBON STEEL アンプリマイト用炭素鋼	1
-3	-2	-1	—	PARTS NUMBER 型番	DISCRIPTION 名称	REMARKS 概要	ITEM

DIMENSIONS:  
単位: 概  
mm

DWN C.OHASHI 06APR2001

MATERIAL  
材料

FINISH  
仕上

CHK K.IKEGAMI 06APR2001

APVD K.IKEGAMI 06APR2001

**AMP**

Tyco Electronics AMP K.K.  
Kawasaki, Japan

TOLERANCES UNLESS  
OTHERWISE SPECIFIED:

0 PLC	$\pm$
1 PLC	$\pm 0.1$
2 PLC	$\pm 0.01$
3 PLC	$\pm 0.001$
4 PLC	$\pm 0.0001$
ANGLES	$\pm 3^\circ$

PRODUCT SPEC  
製品規格

APPLICATION SPEC  
取付適用規格

WEIGHT

NAME  
名称

SCREWLOCK KIT  
FOR AMPLIMITE

SIZE

CAGE CODE  
番号

DRAWING NO

A4

00779

C-176152

CUSTOMER DRAWING

SCALE  
尺度

4:1

SHEET

1

OF

1

REV B