



Chipsmall Limited consists of a professional team with an average of over 10 year of expertise in the distribution of electronic components. Based in Hongkong, we have already established firm and mutual-benefit business relationships with customers from,Europe,America and south Asia,supplying obsolete and hard-to-find components to meet their specific needs.

With the principle of “Quality Parts,Customers Priority,Honest Operation,and Considerate Service”,our business mainly focus on the distribution of electronic components. Line cards we deal with include Microchip,ALPS,ROHM,Xilinx,Pulse,ON,Everlight and Freescale. Main products comprise IC,Modules,Potentiometer,IC Socket,Relay,Connector.Our parts cover such applications as commercial,industrial, and automotives areas.

We are looking forward to setting up business relationship with you and hope to provide you with the best service and solution. Let us make a better world for our industry!



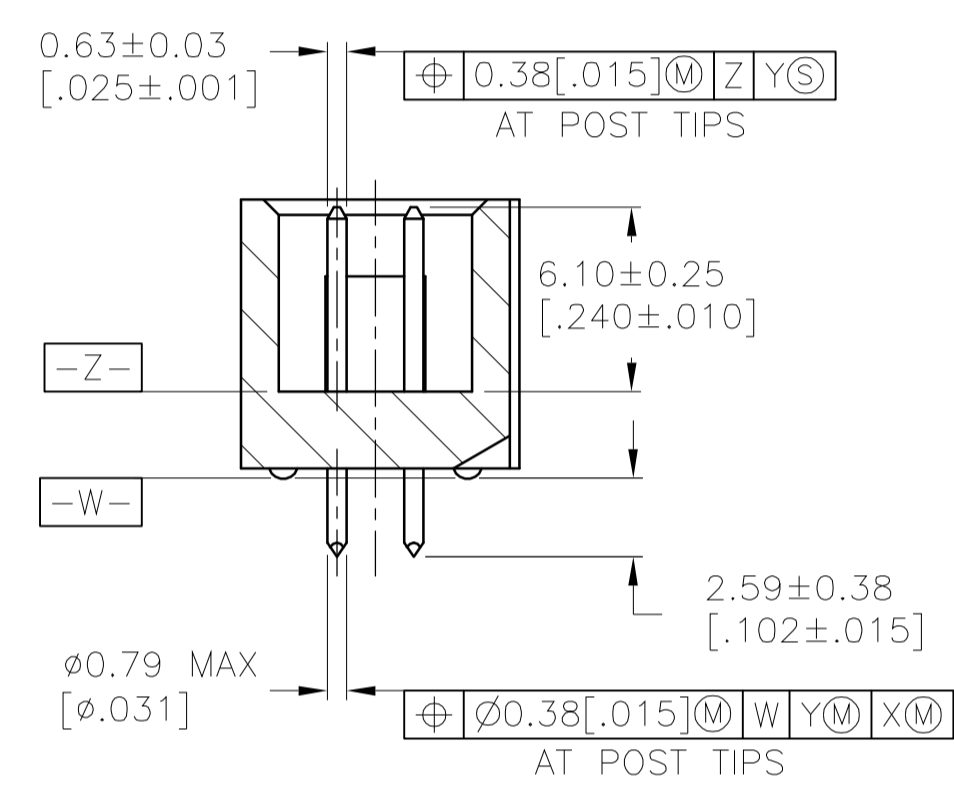
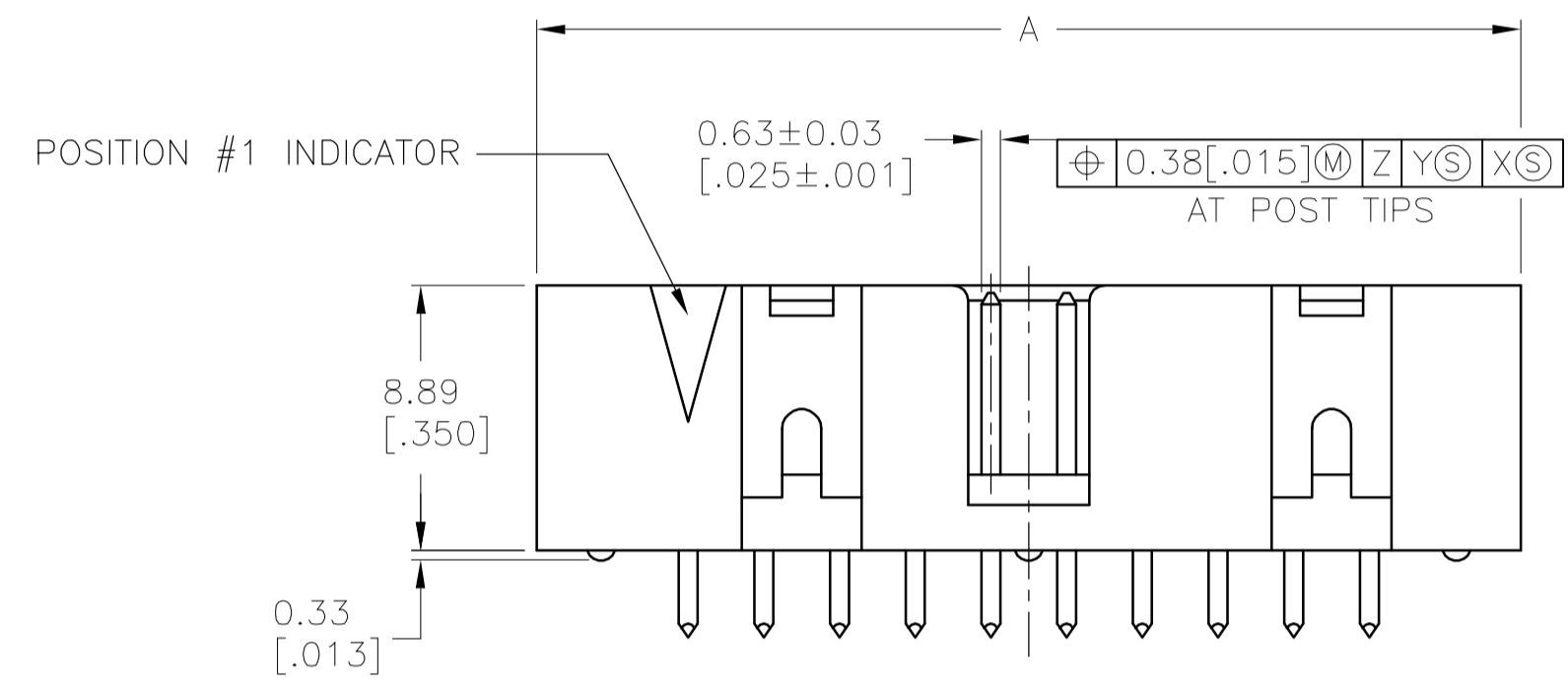
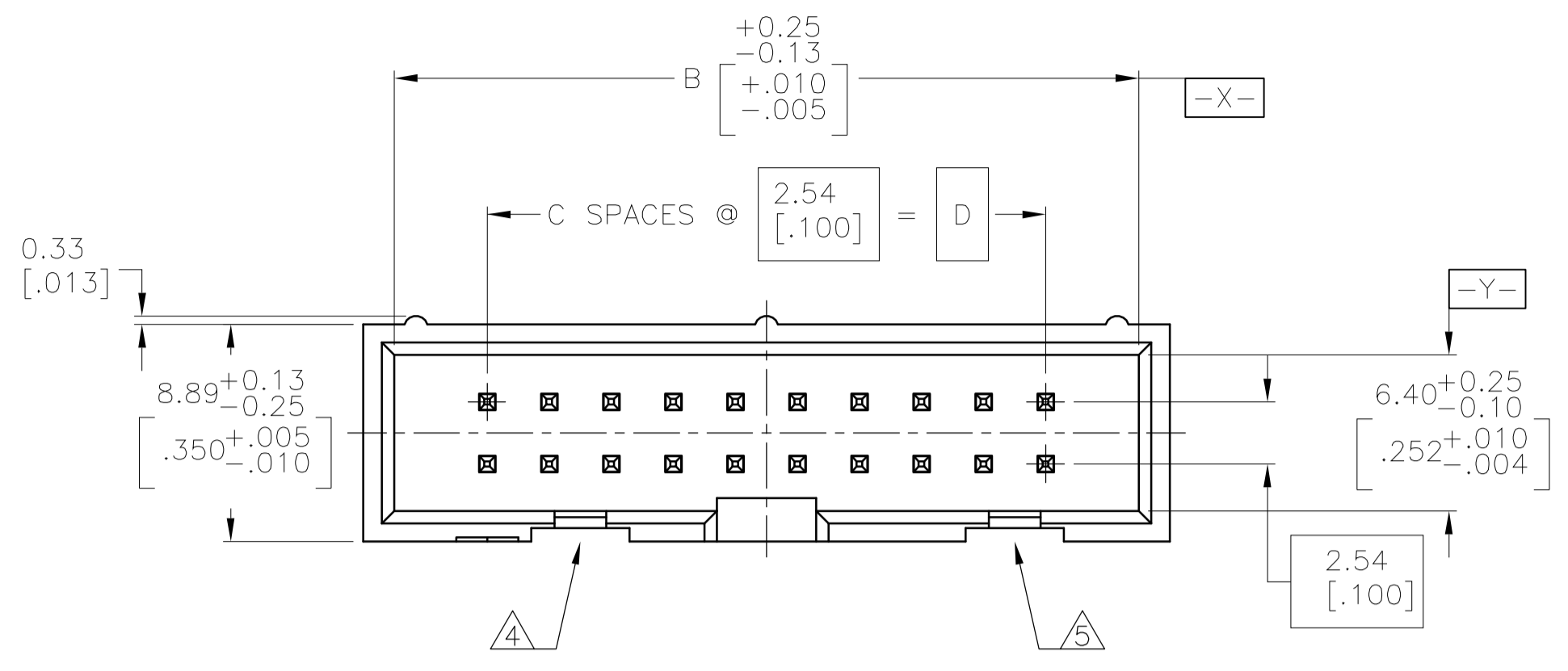
Contact us

Tel: +86-755-8981 8866 Fax: +86-755-8427 6832

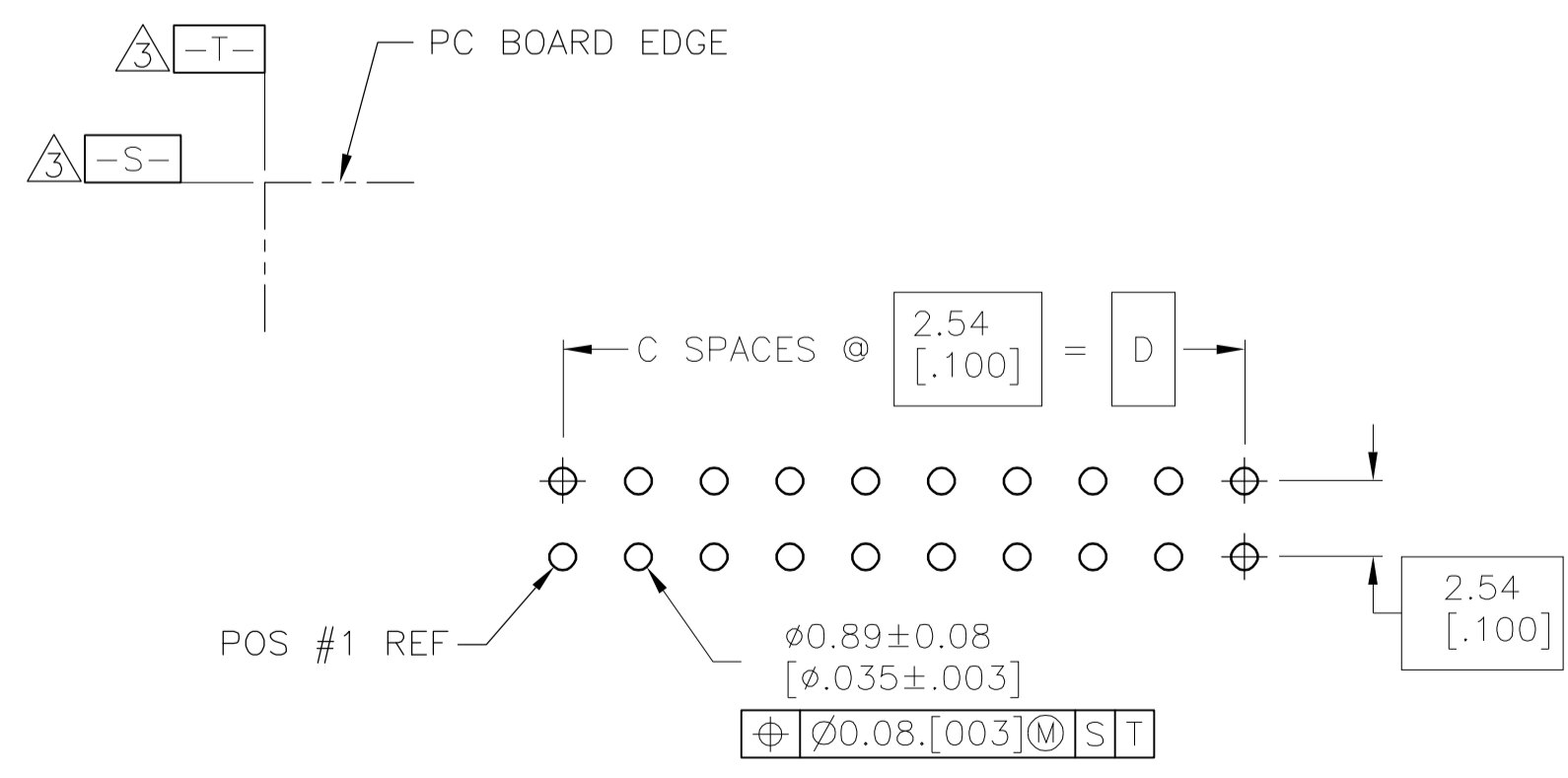
Email & Skype: info@chipsmall.com Web: www.chipsmall.com

Address: A1208, Overseas Decoration Building, #122 Zhenhua RD., Futian, Shenzhen, China





- △ HOUSING: PBT, UL94V-0, COLOR BLACK.
- △ POSTS: PHOSPHOR BRONZE.
- △ POSTS: 0.00038[.000015] MIN GOLD ON MATING AREA, 0.00254[.000100] MIN TIN ON SOLDER END, ALL OVER 0.00127[.000050] MIN NICKEL ON ENTIRE POST.
- △ DATUMS S & T TO BE ESTABLISHED BY CUSTOMER.
- △ NO KEYING SLOT ON THIS END FOR 6, 8, 10, 12 & 14 POSITION ASSEMBLIES.
- △ NO KEYING SLOT ON THIS END FOR 6, 8 & 10 POSITION ASSEMBLIES.



RECOMMENDED PC BOARD LAYOUT
 (VIEWED FROM CONNECTOR SIDE)

	D	C	B	A	NO OF POS	PART NUMBER
	73.66 [2.900]	29	81.28 [3.200]	83.82 [3.300]	60	1-1761602-6
	60.96 [2.400]	24	68.58 [2.700]	71.12 [2.800]	50	1-1761602-5
OBSOLETE	53.34 [2.100]	21	60.96 [2.400]	63.50 [2.500]	44	1-1761602-4
	48.26 [1.900]	19	55.88 [2.200]	58.42 [2.300]	40	1-1761602-3
	40.64 [1.600]	16	48.26 [1.900]	50.80 [2.000]	34	1-1761602-1
	30.48 [1.200]	12	38.10 [1.500]	40.64 [1.600]	26	1761602-9
	27.94 [1.100]	11	35.56 [1.400]	38.10 [1.500]	24	1761602-8
	22.86 [.900]	9	30.48 [1.200]	33.02 [1.300]	20	1761602-7
	17.78 [.700]	7	25.40 [1.000]	27.94 [1.100]	16	1761602-6
	15.24 [.600]	6	22.86 [.900]	25.40 [1.000]	14	1761602-5
	10.16 [.400]	4	17.78 [.700]	20.32 [.800]	10	1761602-3

THIS DRAWING IS A CONTROLLED DOCUMENT.

DIMENSIONS: MM(INCHES)	TOLERANCES UNLESS OTHERWISE SPECIFIED:	0 PLC ± -	1 PLC ± -	2 PLC ± -	3 PLC ± 0.13[.005]	4 PLC ± -	ANGLES ± -
MATERIAL		FINISH		WEIGHT		CUSTOMER DRAWING	

DESIGNED BY: J. GERACE	DATE: 13JAN05		Tyco Electronics Corporation	
CHECKED BY: S. BOLASH	DATE: 13JAN05		Harrisburg, Pa 17105	
APPROVED BY: M. WALMSLEY	DATE: 13JAN05	NAME		
PRODUCT SPEC		HEADER ASSEMBLY, VERTICAL, LOW PROFILE, IDC		
APPLICATION SPEC		-		
SIZE: A1	CAGE CODE: 00779	DRAWING NO: 1761602	RESTRICTED TO: -	
SCALE: 4:1		SHEET: 1 OF 1		REV: B