



Chipsmall Limited consists of a professional team with an average of over 10 year of expertise in the distribution of electronic components. Based in Hongkong, we have already established firm and mutual-benefit business relationships with customers from,Europe,America and south Asia,supplying obsolete and hard-to-find components to meet their specific needs.

With the principle of “Quality Parts,Customers Priority,Honest Operation,and Considerate Service”,our business mainly focus on the distribution of electronic components. Line cards we deal with include Microchip,ALPS,ROHM,Xilinx,Pulse,ON,Everlight and Freescale. Main products comprise IC,Modules,Potentiometer,IC Socket,Relay,Connector.Our parts cover such applications as commercial,industrial, and automotives areas.

We are looking forward to setting up business relationship with you and hope to provide you with the best service and solution. Let us make a better world for our industry!



Contact us

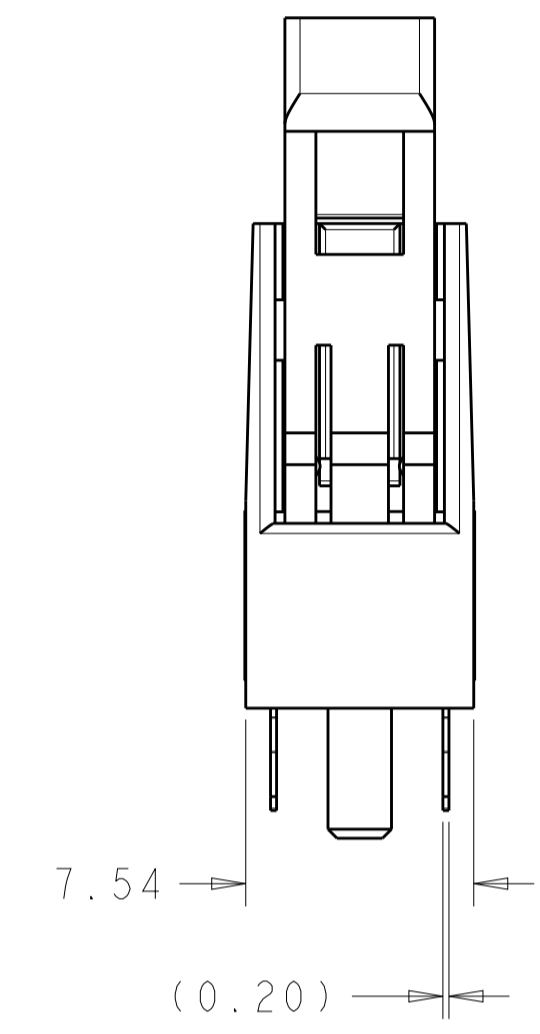
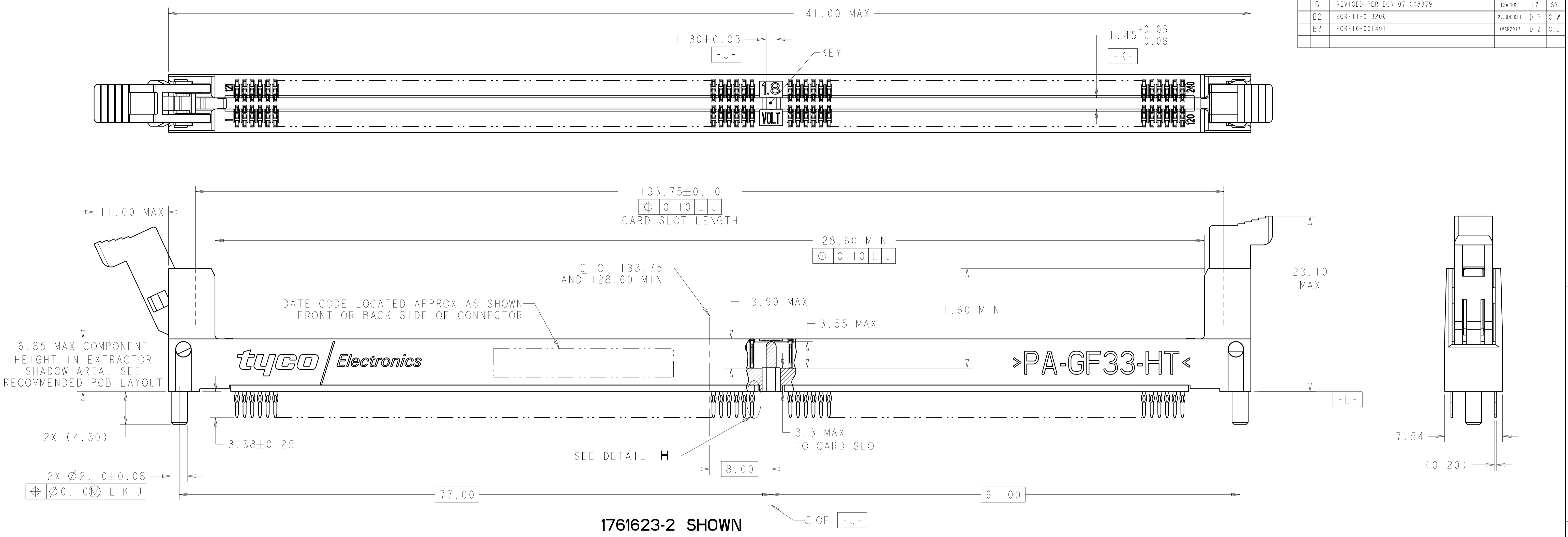
Tel: +86-755-8981 8866 Fax: +86-755-8427 6832

Email & Skype: info@chipsmall.com Web: www.chipsmall.com

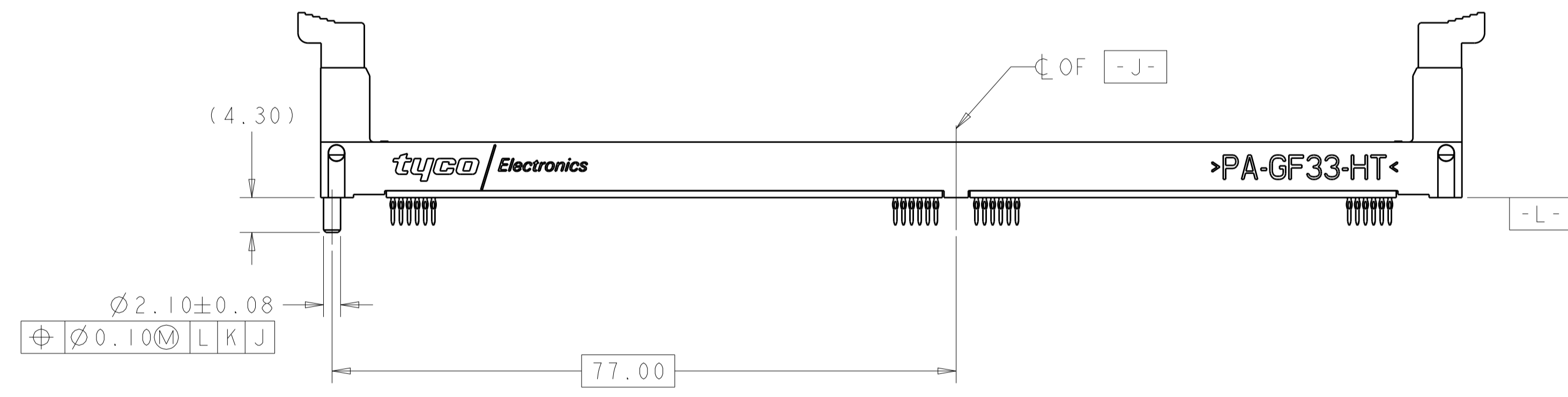
Address: A1208, Overseas Decoration Building, #122 Zhenhua RD., Futian, Shenzhen, China



LOC	DIST	REVISIONS					
GP	00	P	LTN	DESCRIPTION	DATE	DWN	APVD
B				REVISED PER ECR-07-008379	12APR07	LZ	SY
B2				ECR-11-013206	27JUN2011	D.P	C.W
B3				ECR-16-001491	3MAR2017	D.Z	S.L



1761623-2 SHOWN



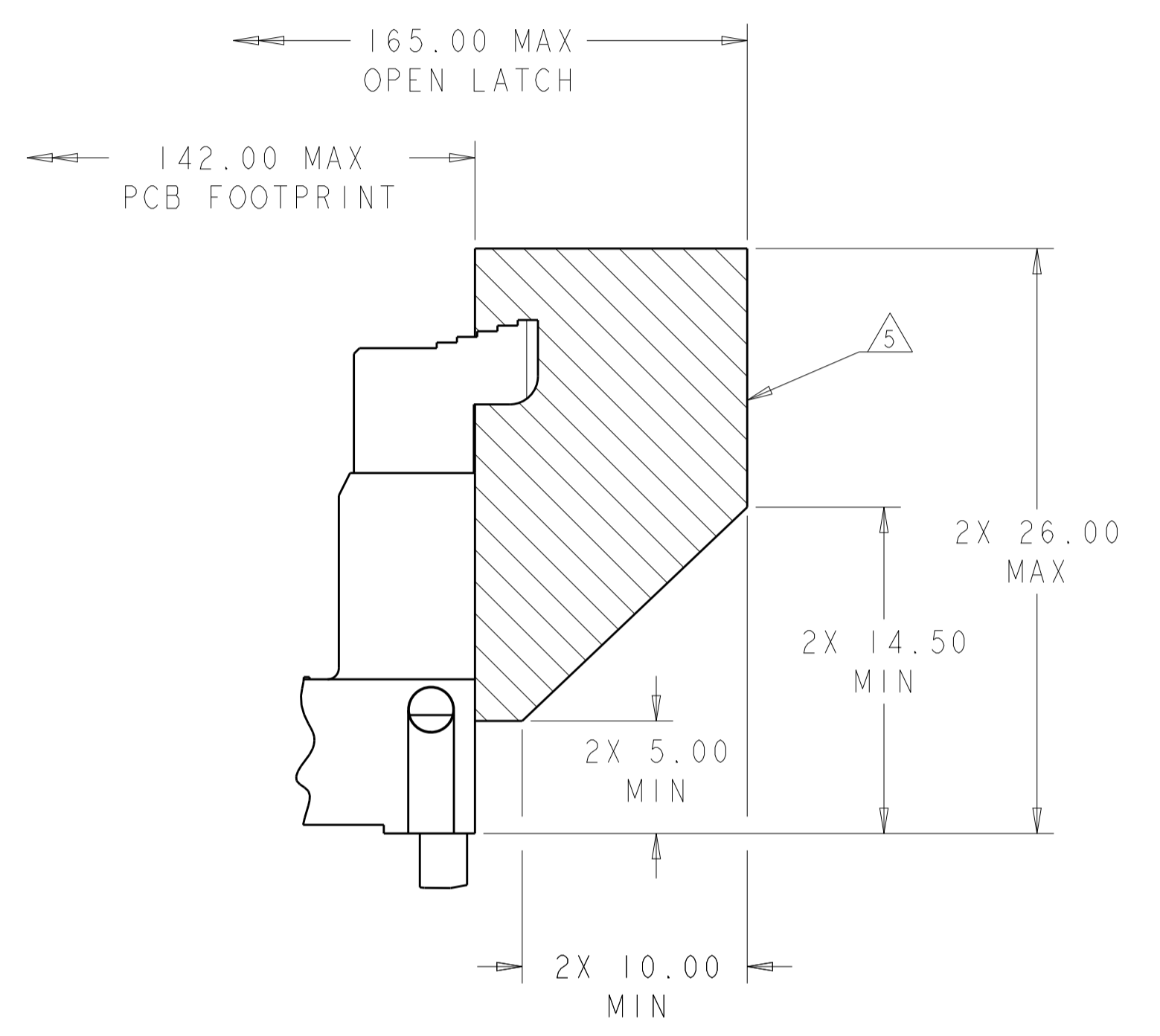
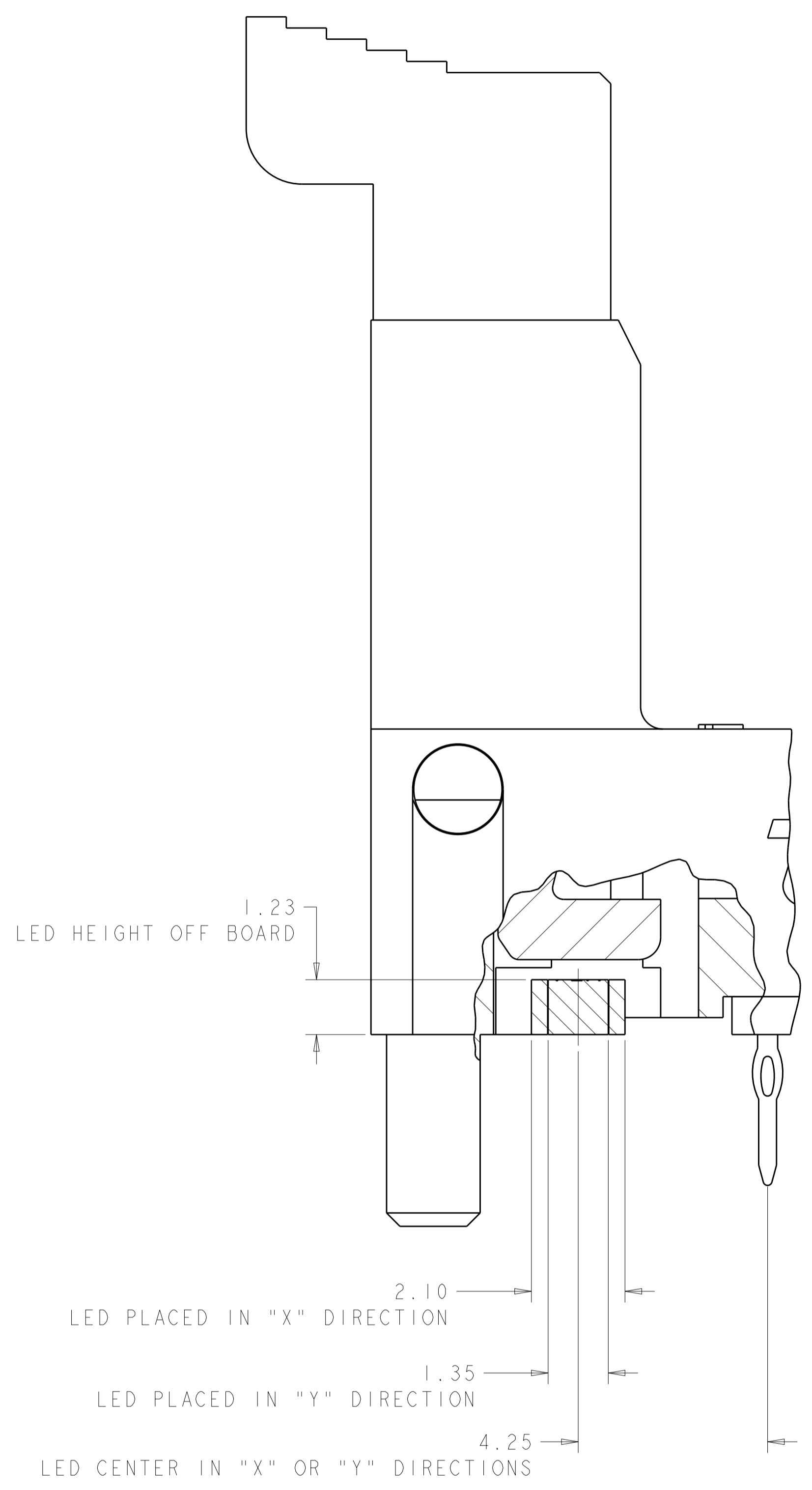
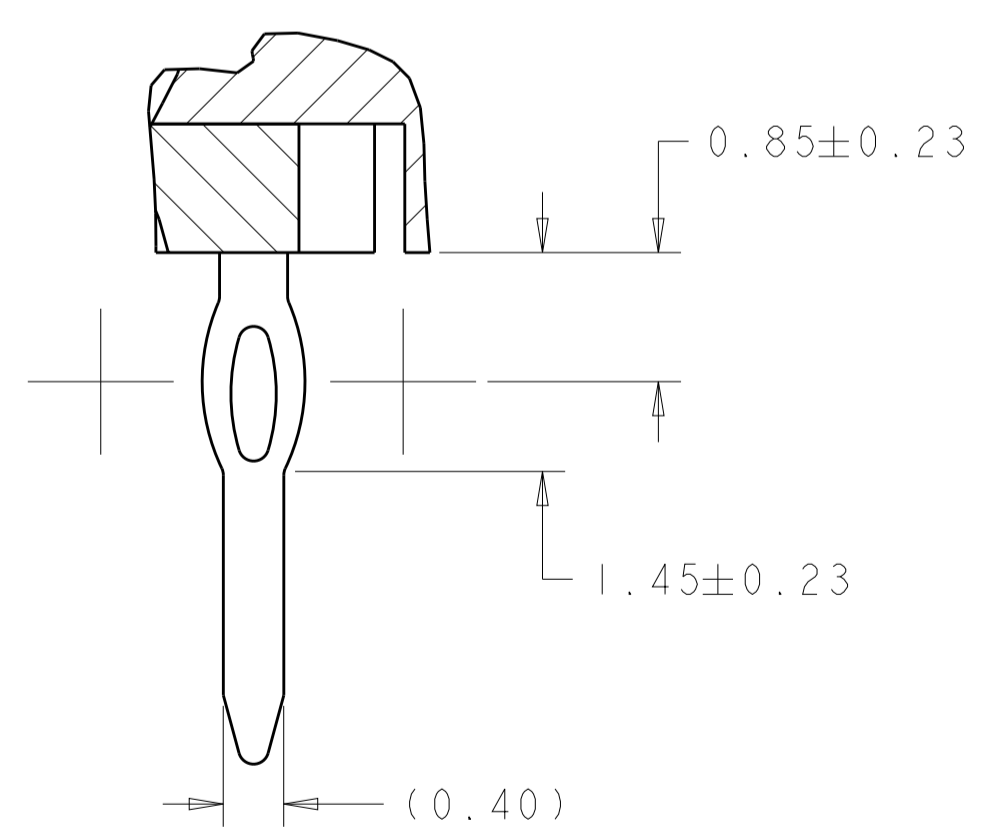
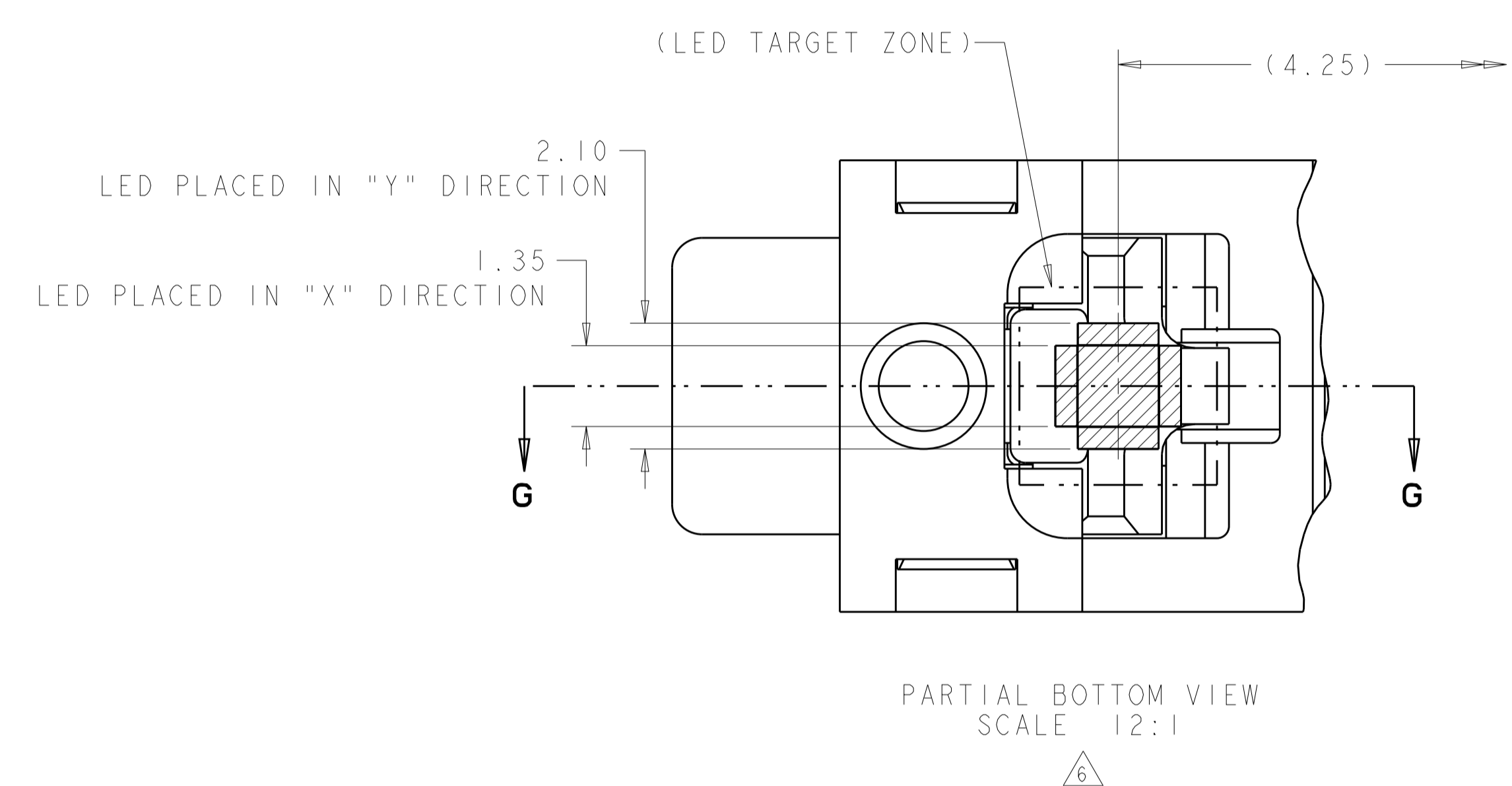
1761623-1, -3, -4, -5 SHOWN
 SCALE 2:1

- MATERIALS:**
- HOUSING: HIGH TEMPERATURE, UL94 V-0
 - EXTRACTOR: HIGH TEMPERATURE THERMOPLASTIC,
 - CONTACTS: COPPER ALLOY
 - SUPPORT PLATE: LCP, UL94 V-0
- INTERFACE FINISH:** 0.00076 MIN THK GOLD OVER 0.00127 MIN THICK NICKEL.
- FINISHED HOLE SIZE:** 0.15 MAXIMUM ANNULAR RING.
 COPPER PLATING: 0.025-0.050
 TIN-LEAD PLATING: 0.0038-0.0124
 FOR PTH TIN-LEAD PLATING ONLY, FINISHED HOLE TOLERANCE MAY BE +.05/- .058 IN ZONE 1, AND ±0.076 IN ZONE 11
- KEEP OUT ZONE.**
- KEEP OUT AREA RESERVED FOR SOCKET EXTRACTORS, BOTH ENDS.**
- LED LOCATION AS APPLICABLE PER CUSTOMER.**
7. APPROXIMATE SEATING FORCE WILL BE 3781-5338N [850-1200 lb] FOR THE 240 POSITION SOCKET ASSEMBLY.
8. HOLE INDICATED IS PART OF THE STANDARD 240 POSITION FOOTPRINT. REQUIRED FOR THE SOLDERTAIL VERSION. MAY BE OMITTED FOR THE PRESS FIT VERSIONS.
9. HOLE INDICATED IS PART OF THE STANDARD 240 POSITION FOOTPRINT. REQUIRED FOR SOLDERTAIL AND -2 PRESS FIT VERSIONS. MAY BE OMITTED FOR -1 & -3 PRESS FIT VERSIONS.
10. COMPLIANT PIN FINISH: 0.00254 MIN THICK MATTE TIN OVER 0.00127 MIN THICK NICKEL.
11. COMPLIANT PIN FINISH: 0.00254 MIN THICK BRIGHT TIN LEAD OVER 0.00127 MIN THICK NICKEL.
12. COMPLIES WITH JEDEC SO-003.

	▲	NATURAL	AMBER	NATURAL	1 POST	1761623-5
OBSOLETE	▲	-BLACK	AMBER	BLACK	1 POST	+761623-4-
OBSOLETE	▲	-BLACK	NATURAL	BLACK	1 POST	+761623-3-
OBSOLETE	▲	-BLACK	NATURAL	BLACK	2 POSTS	+761623-2-
OBSOLETE	▲	-BLACK	NATURAL	BLACK	1 POST	+761623-1-
	▲	COMPLIANT PIN	SUPPORT PLATE COLOR	EXTRACTOR COLOR	HOUSING COLOR	DESCRIPTION
	▲					PART NUMBER

DIMENSIONS: mm 		TOLERANCES UNLESS OTHERWISE SPECIFIED: 0 PLC ±.5 1 PLC ±.13 2 PLC ±.13 3 PLC ±.013 4 PLC ±.0001 ANGLES ±.1 FINISH		DWN D. RINGLER 10AUG2006 CHK J. PENNYPACKER 10AUG2006 APVD M. ROWERS 22DEC2006		tyco Tyco Electronics Harrisburg, PA 17105-3608	
MATERIAL:		WEIGHT:		SIZE: 114-13167		RESTRICTED TO:	
CUSTOMER DRAWING		SCALE: 4:1		SHEET 1 OF 3		REV B3	

LOC	DIST	REVISIONS			
P	LTN	DESCRIPTION	DATE	DMN	APVD
GP	00	SEE SHEET 1			

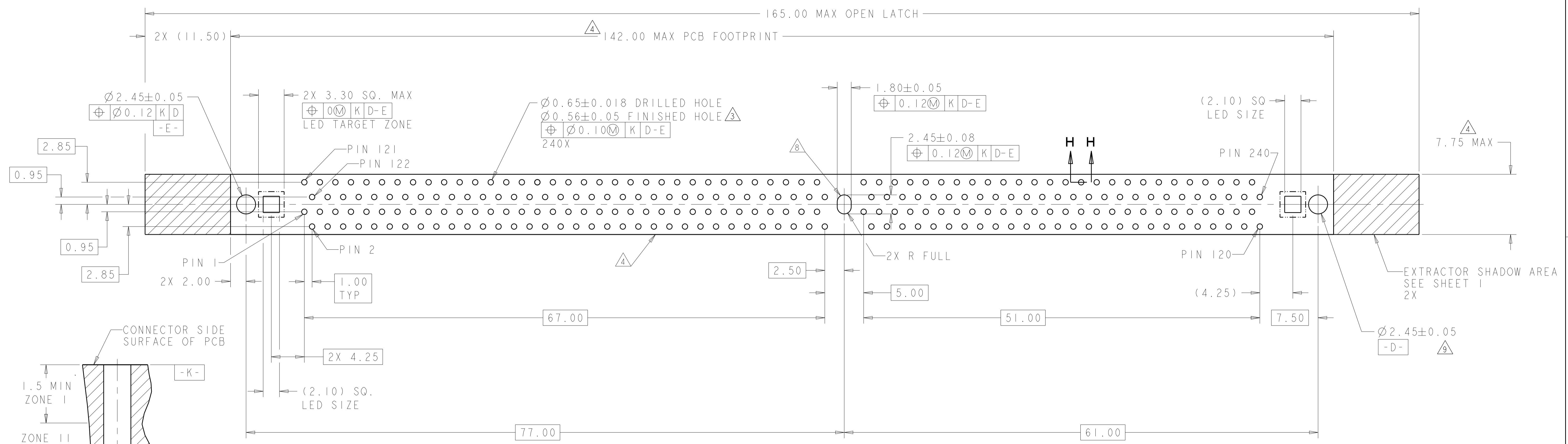


1761623-2 SHOWN

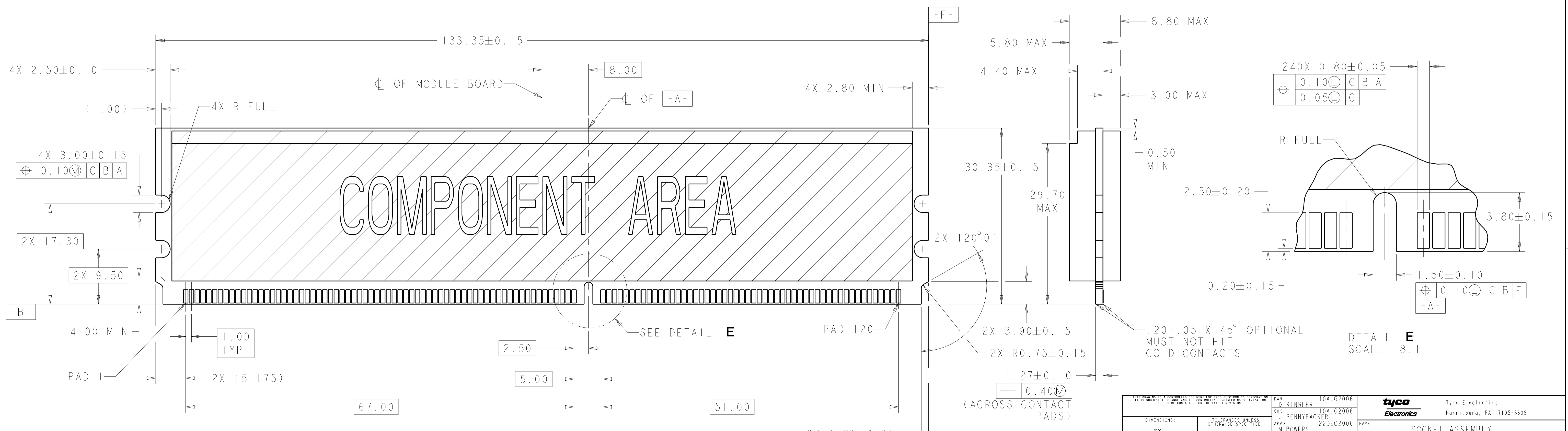
<small>THIS DRAWING IS UNPUBLISHED. RELEASED FOR PUBLICATION 20. COPYRIGHT 20 BY TYCO ELECTRONICS CORPORATION. ALL RIGHTS RESERVED.</small>		DWN D. RINGLER 10AUG2006 CHK J. PENNYPACKER 10AUG2006 APVD M. ROWERS 22DEC2006	tyco Tyco Electronics Harrisburg, PA 17105-3608
DIMENSIONS: mm 	TOLERANCES UNLESS OTHERWISE SPECIFIED: 0 PLC ± 1 PLC ±0.5 2 PLC ±0.13 3 PLC ±0.013 4 PLC ±0.001 ANGLES ±0.0001	NAME PRODUCT SPEC APPLICATION SPEC CAGE CODE DRAWING NO WEIGHT	SOCKET ASSEMBLY, VERTICAL FB DIMM, PRESS FIT, 240 POSITION SIZE CAGE CODE DRAWING NO A1 00779 C=1761623 CUSTOMER DRAWING SCALE 4:1 SHEET 2 OF 3 REV B.3

LOC	DIST	REV	DATE	BY	APPV
GP	00				

REVISIONS			
NO.	DESCRIPTION	DATE	BY
-	SEE SHEET 1	-	-



RECOMMENDED PCB LAYOUT
 VIEWED FROM CONNECTOR SIDE
 NOTE: REFER TO JEDEC SO-003 FOR COMPLETE PCB LAYOUT



RECOMMENDED MODULE LAYOUT
 SCALE 3:1
 NOTE: REFER TO JEDEC MO-256 FOR COMPLETE MODULE DETAILS.

DIMENSIONS: mm 		TOLERANCES UNLESS OTHERWISE SPECIFIED: 0 PLC ±.5 1 PLC ±0.5 2 PLC ±0.13 3 PLC ±0.013 4 PLC ±0.001 ANGLES ±.1		DWN D. RINGLER 10AUG2006 CHK J. PENNYPACKER 10AUG2006 APVD M. BOWERS 22DEC2006 PRODUCT SPEC 108-2245 APPLICATION SPEC 114-13167 WEIGHT - CUSTOMER DRAWING		Tyco Electronics Harrisburg, PA 17105-3608 NAME SOCKET ASSEMBLY, VERTICAL FB DIMM, PRESS FIT, 240 POSITION SIZE A1 CAGE CODE 00779 DRAWING NO. 1761623 SCALE 4:1 SHEET 3 OF 3 REV B3	
-----------------------	--	--------------------------------------------------------------------------------------------------------------------------------	--	-----------------------------------------------------------------------------------------------------------------------------------------------------------------------------	--	--------------------------------------------------------------------------------------------------------------------------------------------------------------------------------------------------------------	--