



Chipsmall Limited consists of a professional team with an average of over 10 year of expertise in the distribution of electronic components. Based in Hongkong, we have already established firm and mutual-benefit business relationships with customers from,Europe,America and south Asia,supplying obsolete and hard-to-find components to meet their specific needs.

With the principle of “Quality Parts,Customers Priority,Honest Operation,and Considerate Service”,our business mainly focus on the distribution of electronic components. Line cards we deal with include Microchip,ALPS,ROHM,Xilinx,Pulse,ON,Everlight and Freescale. Main products comprise IC,Modules,Potentiometer,IC Socket,Relay,Connector.Our parts cover such applications as commercial,industrial, and automotives areas.

We are looking forward to setting up business relationship with you and hope to provide you with the best service and solution. Let us make a better world for our industry!



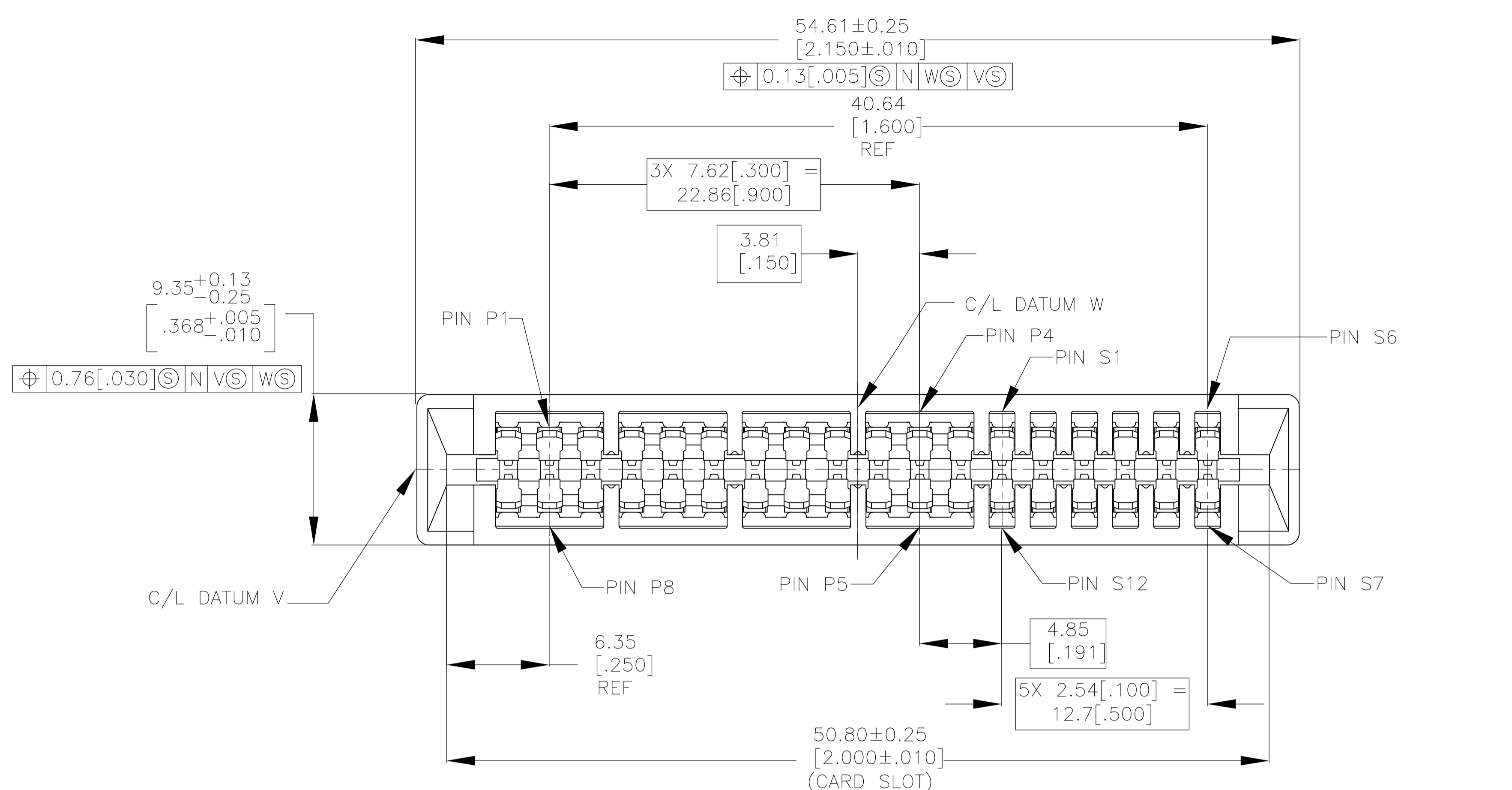
## Contact us

Tel: +86-755-8981 8866 Fax: +86-755-8427 6832

Email & Skype: info@chipsmall.com Web: www.chipsmall.com

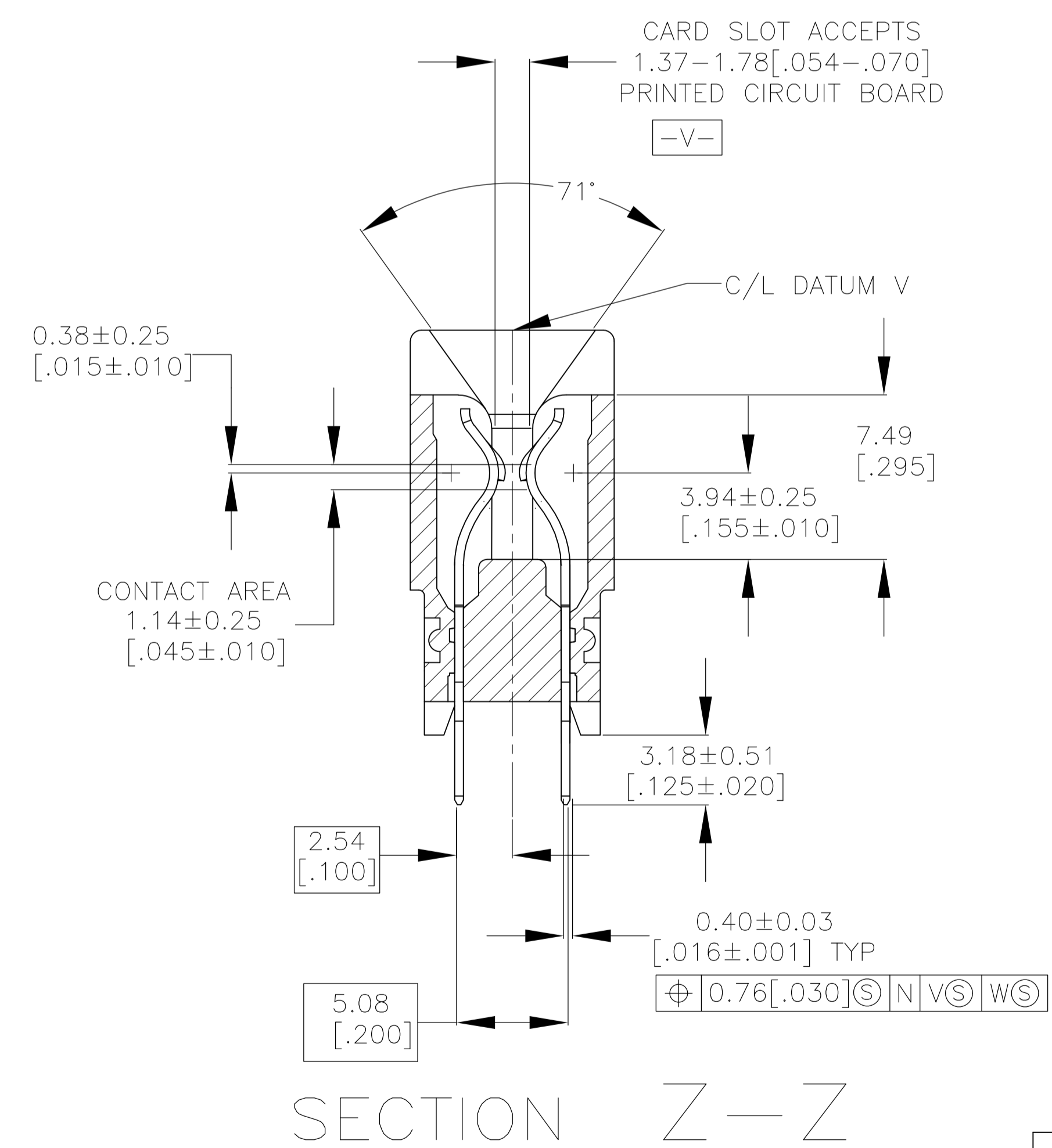
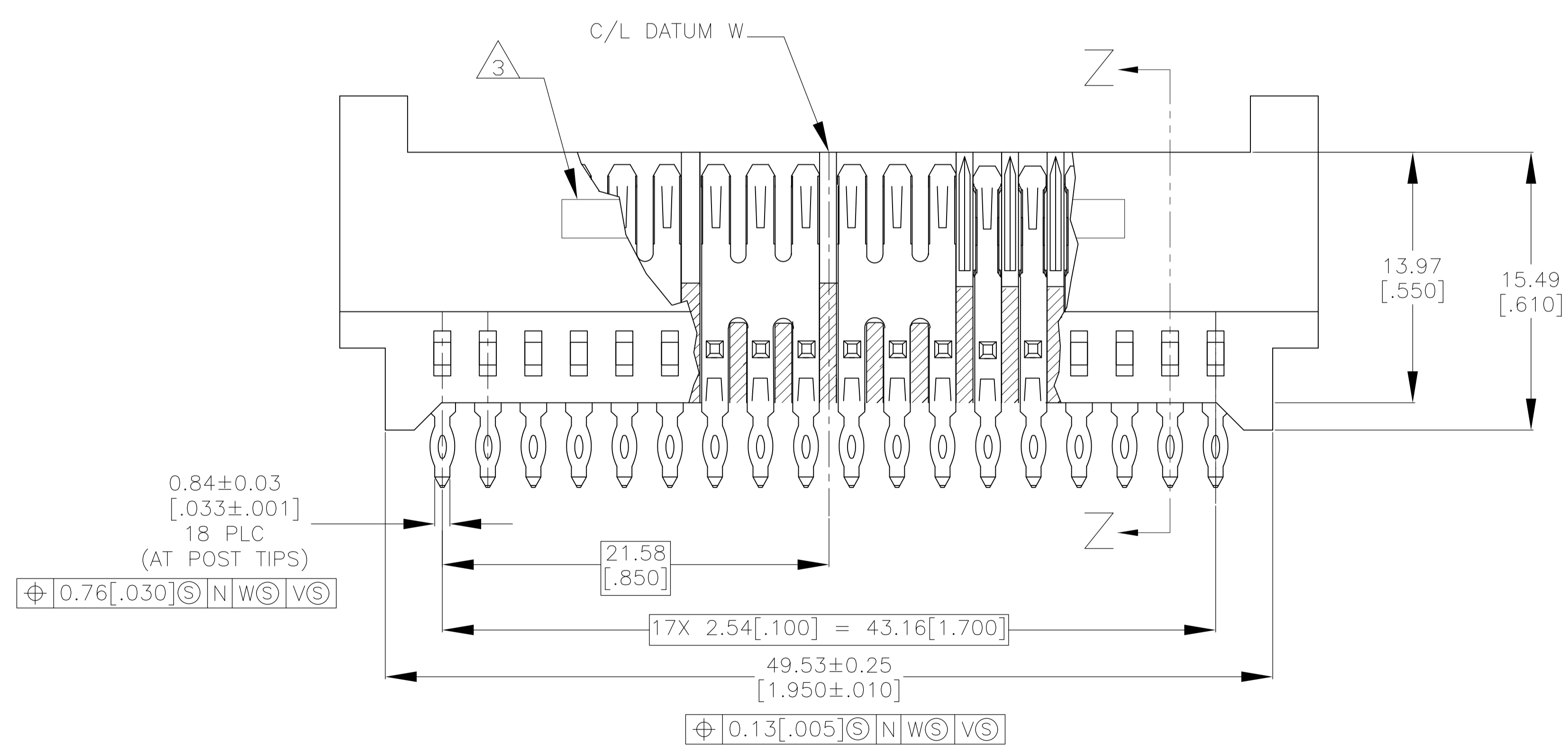
Address: A1208, Overseas Decoration Building, #122 Zhenhua RD., Futian, Shenzhen, China





- HOUSING: GLASS FILLED POLYESTER, BLACK, IR REFLOW COMPATIBLE  
CONTACT: HIGH CONDUCTIVITY COPPER ALLOY.
- NICKEL PLATE .00127 [0.00050] MIN - ALL OVER.  
MATTE TIN PLATE .00254 [0.00100] MIN - SOLDER POSTS.  
GOLD PLATE .00038 [0.00015] MIN - IN MATING AREA.
- TYCO ELECTRONICS PART NUMBER, AND DATE CODE MARKED IN APPROXIMATE AREA SHOWN, EITHER SIDE.
- DATUMS AND BASIC DIMENSIONS ESTABLISHED BY CUSTOMER.
- RECOMMENDED FINISHED HOLE SIZES
 

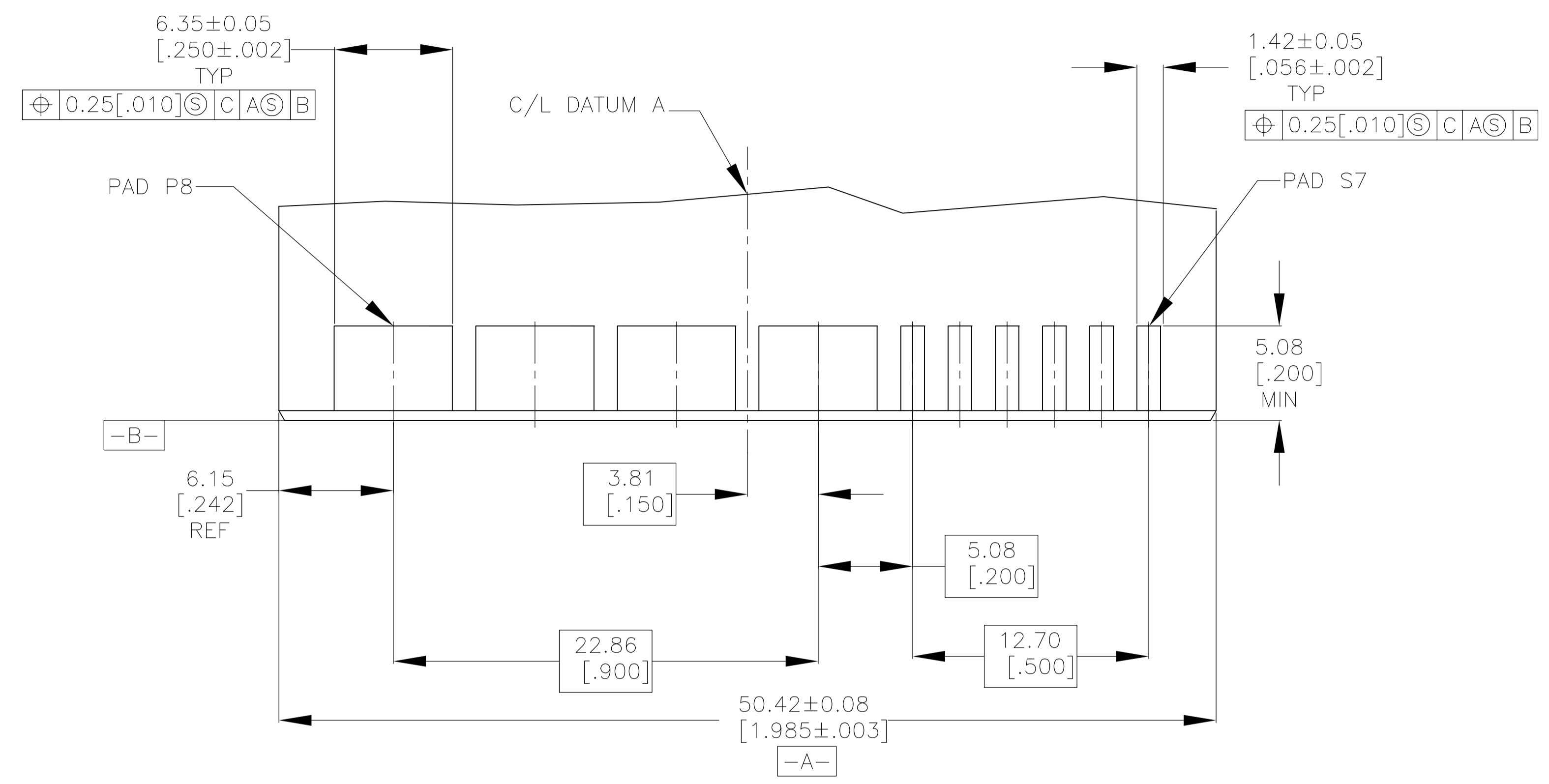
TIN PLATED HOLE	$\phi 1.02 \pm 0.08$ [0.040 ± 0.003]
GOLD PLATED HOLE	$\phi 1.07 \pm 0.05$ [0.042 ± 0.002]
- QUALIFICATION TESTING HAS NOT BEEN COMPLETED.
- CIRCUIT ENDS, ALONG THE EDGE OF THE MATING BOARD, SHOULD ALSO BE CHAMFERED AND BURR FREE.



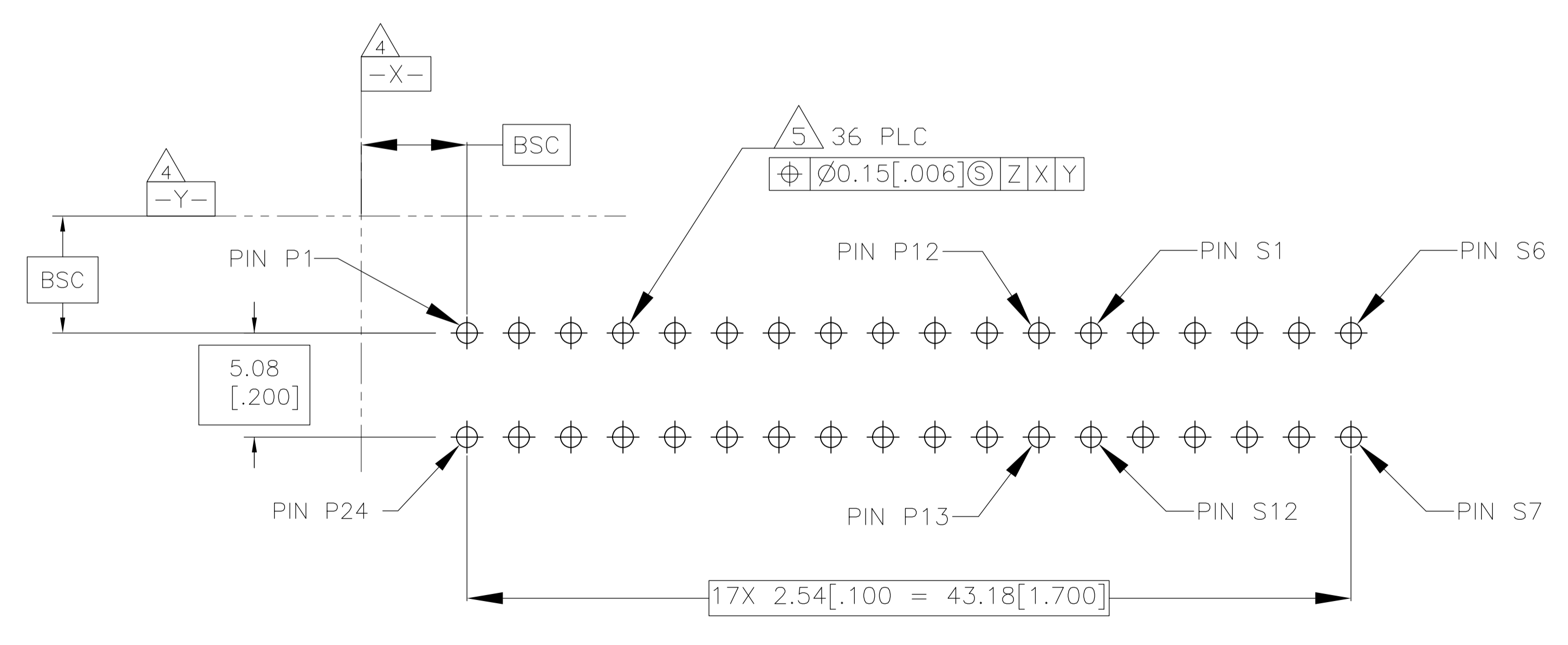
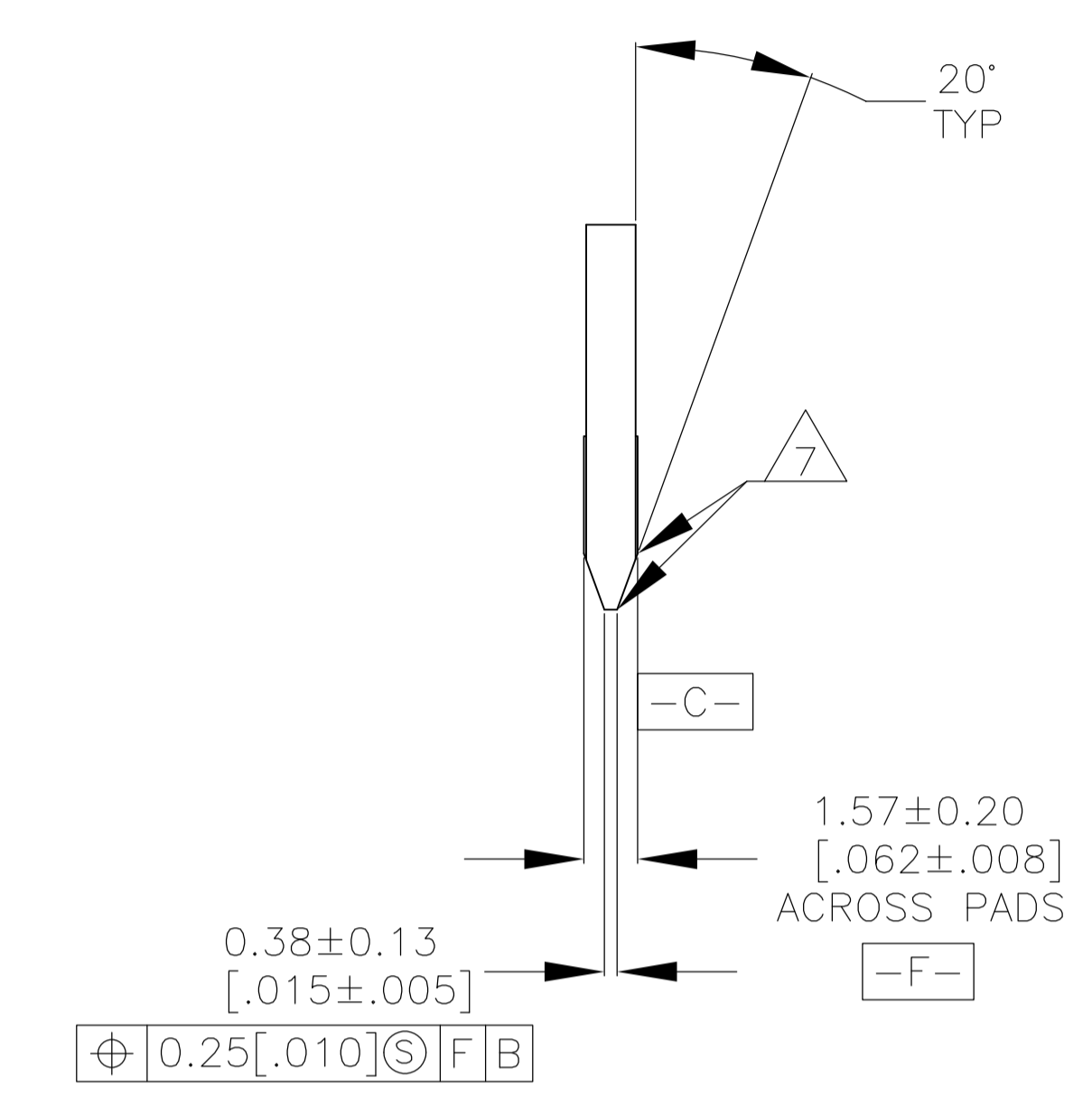
6	4	1761786-1
NO OF INDIVIDUAL POSITIONS	NO OF MULTIPLE POSITIONS	PART NUMBER

THIS DRAWING IS A CONTROLLED DOCUMENT.

DIMENSIONS:	TOLERANCES UNLESS OTHERWISE SPECIFIED:	DWN	AL FRANTUM	08 FEB 05	Tyco Electronics Corporation Middletown, PA 17057
MM (INCHES)	0 PLC ± - 1 PLC ± - 2 PLC ± 0.13[0.005] 3 PLC ± - 4 PLC ± - ANGLES ± °	CHK	AL FRANTUM	09 FEB 05	
MATERIAL	SEE NOTE 1	APVD	S. FLICKINGER	11 JUL 2006	NAME
FINISH	SEE NOTE 2	PRODUCT SPEC	CONNECTOR ASSEMBLY, SEC II POWER, DUAL POSITION, 2.54[.100] CENTERLINE, CARD EDGE		
WEIGHT	-	APPLICATION SPEC	108-2208		
CUSTOMER DRAWING	SCALE 5:1	SIZE	A1	CAGE CODE	DRAWING NO
		RESTRICTED TO	1761786		
		SHEET	1	OF	2
		REV	C		



RECOMMENDED MATING BOARD EDGE CONFIGURATION  
TYP BOTH SIDES



RECOMMENDED PC BOARD HOLE LAYOUT

THIS DRAWING IS A CONTROLLED DOCUMENT.		DN AL FRANTUM 08 FEB 05	Tyco Electronics Corporation Middletown, PA 17057	
DIMENSIONS: MM (INCHES)		CHK AL FRANTUM 09 FEB 05	NAME	
TOLERANCES UNLESS OTHERWISE SPECIFIED:		APVD S FLICKINGER 11 JULY 2006	PRODUCT SPEC	
0 PLC ± -		APPLICATION SPEC		
1 PLC ± -		SIZE		
2 PLC ± 0.25[.010]		CAGE CODE		
3 PLC ± -		DRAWING NO		
4 PLC ± -		RESTRICTED TO		
ANGLES ± °		A1 00779 C=1761786		
MATERIAL SEE PAGE 1	FINISH SEE PAGE 1	WEIGHT	CUSTOMER DRAWING	
		SCALE 5:1	SHEET 2 OF 2	REV C