



Chipsmall Limited consists of a professional team with an average of over 10 year of expertise in the distribution of electronic components. Based in Hongkong, we have already established firm and mutual-benefit business relationships with customers from,Europe,America and south Asia,supplying obsolete and hard-to-find components to meet their specific needs.

With the principle of "Quality Parts,Customers Priority,Honest Operation,and Considerate Service",our business mainly focus on the distribution of electronic components. Line cards we deal with include Microchip,ALPS,ROHM,Xilinx,Pulse,ON,Everlight and Freescale. Main products comprise IC,Modules,Potentiometer,IC Socket,Relay,Connector.Our parts cover such applications as commercial,industrial, and automotives areas.

We are looking forward to setting up business relationship with you and hope to provide you with the best service and solution. Let us make a better world for our industry!



Contact us

Tel: +86-755-8981 8866 Fax: +86-755-8427 6832

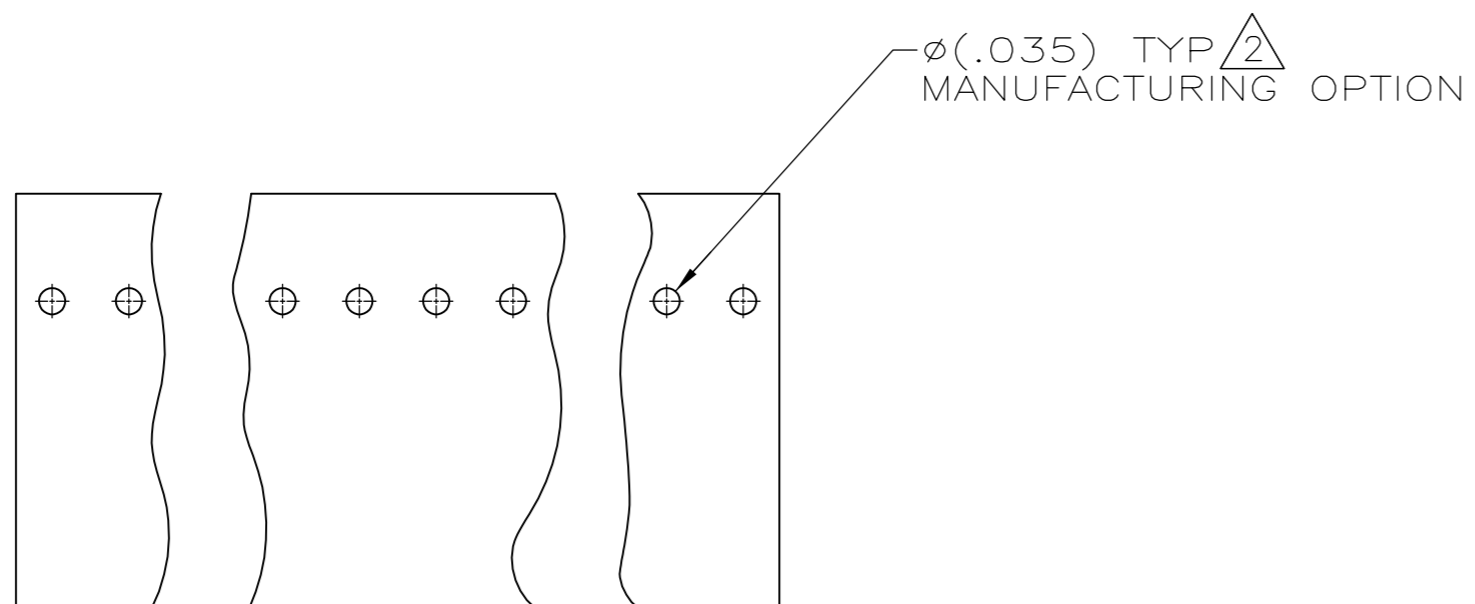
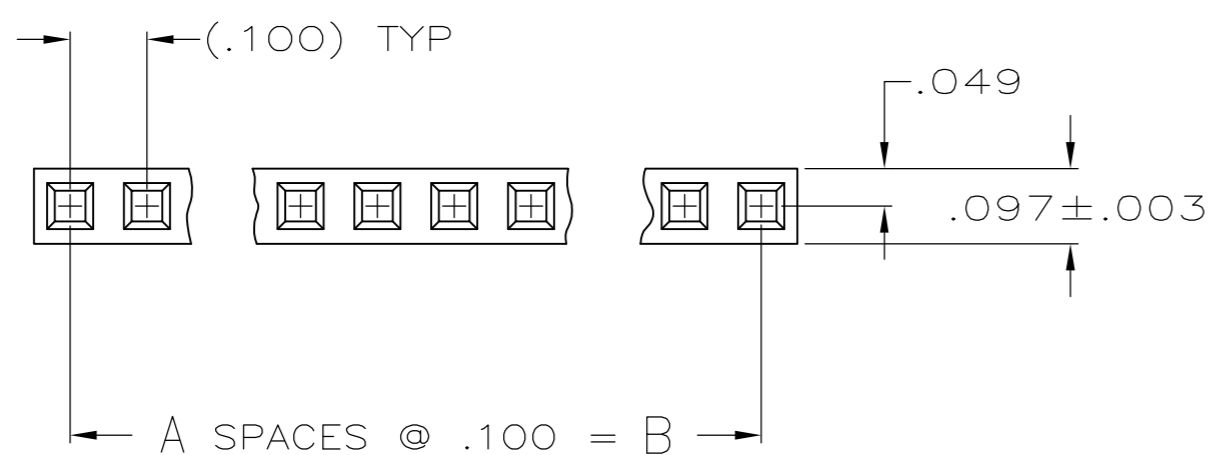
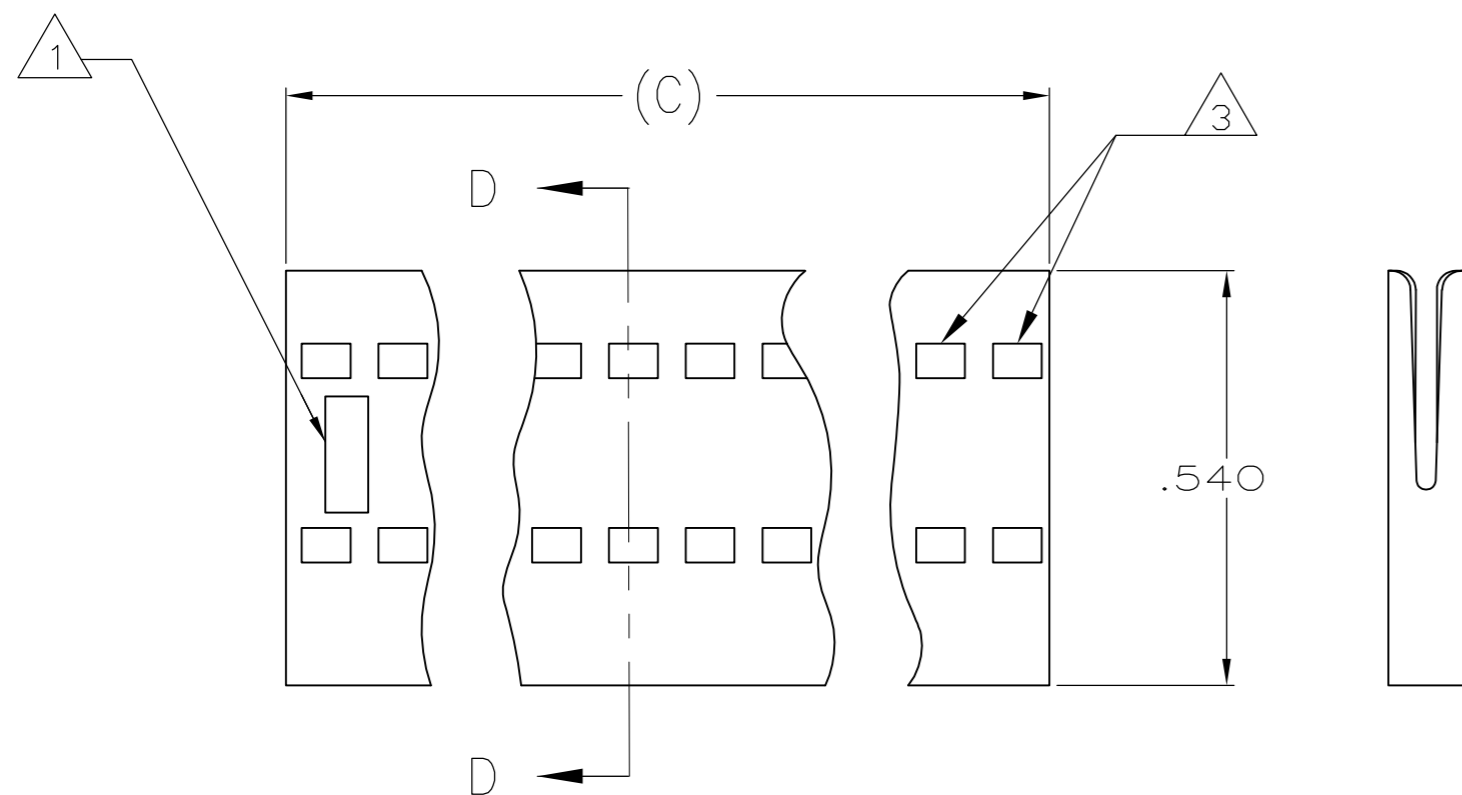
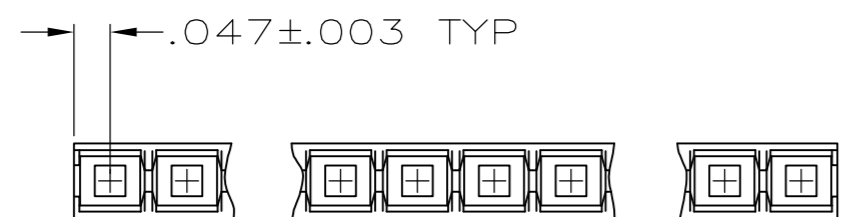
Email & Skype: info@chipsmall.com Web: www.chipsmall.com

Address: A1208, Overseas Decoration Building, #122 Zhenhua RD., Futian, Shenzhen, China

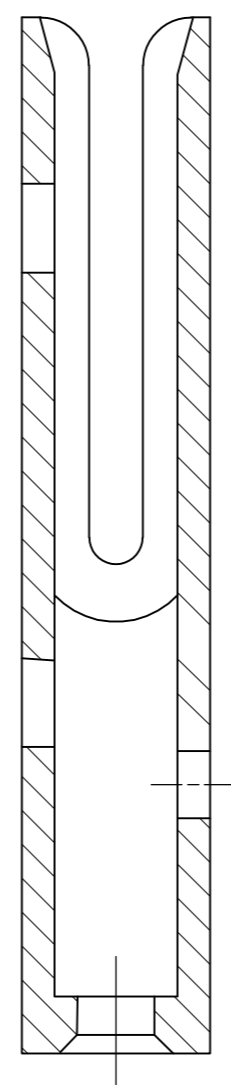


THIS DRAWING IS UNPUBLISHED. RELEASED FOR PUBLICATION
 © COPYRIGHT - By - ALL RIGHTS RESERVED.

LOC	DIST	REVISIONS			
P	LTR	DESCRIPTION	DATE	DWN	APVD
GP	00	C	REVISED PER ECO-11-017188	06DEC2011	CJV/CWR



- 1 TYCO TRADEMARK AND MOLD CAVITY IDENTIFICATION LOCATED AT EITHER END OF THE HOUSING IN APPROXIMATE LOCATION SHOWN.
- 2 THIS HOLE IS FOR MOLDING PURPOSES ONLY AND MAY BE FLASHED OVER.
- 3 WINDOWS MAY OR MAY NOT BE PRESENT ON THIS END OF HOUSING.



SECTION D-D

.894	.800	8	9	1761789-8
C REF	B	A	NO OF POS	PART NO

THIS DRAWING IS A CONTROLLED DOCUMENT.		DWN S. WAITMAN 18APR05	TE Connectivity	
DIMENSIONS: INCHES		CHK J. GERACE 18APR05	NAME HOUSING, RECEPTACLE, FFC	
TOLERANCES UNLESS OTHERWISE SPECIFIED:		APVD M. WALMSLEY 18APR05	PRODUCT SPEC 108-9024	
0 PLC ± -		APPLICATION SPEC 114-16015		SIZE A2
1 PLC ± -		WEIGHT -		CAGE CODE 00779
2 PLC ± -		DRAWING NO C=1761789		RESTRICTED TO -
3 PLC ± .005		SCALE 4:1		SHEET 1 of 1
4 PLC ± -		REV C		
ANGLES ± -				
FINISH -				
MATERIAL THERMOPLASTIC,		CUSTOMER DRAWING		