



Chipsmall Limited consists of a professional team with an average of over 10 year of expertise in the distribution of electronic components. Based in Hongkong, we have already established firm and mutual-benefit business relationships with customers from,Europe,America and south Asia,supplying obsolete and hard-to-find components to meet their specific needs.

With the principle of “Quality Parts,Customers Priority,Honest Operation,and Considerate Service”,our business mainly focus on the distribution of electronic components. Line cards we deal with include Microchip,ALPS,ROHM,Xilinx,Pulse,ON,Everlight and Freescale. Main products comprise IC,Modules,Potentiometer,IC Socket,Relay,Connector.Our parts cover such applications as commercial,industrial, and automotives areas.

We are looking forward to setting up business relationship with you and hope to provide you with the best service and solution. Let us make a better world for our industry!



Contact us

Tel: +86-755-8981 8866 Fax: +86-755-8427 6832

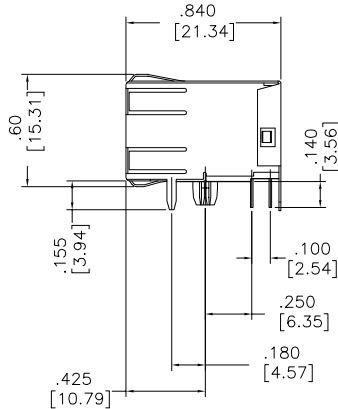
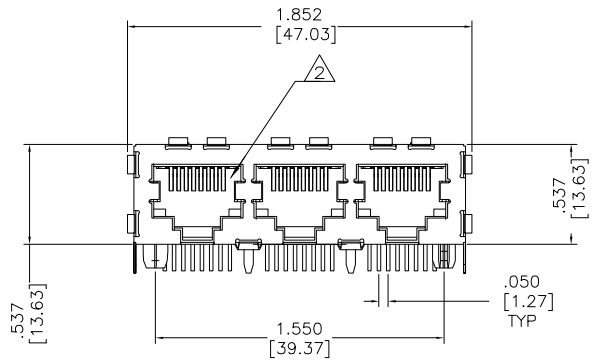
Email & Skype: info@chipsmall.com Web: www.chipsmall.com

Address: A1208, Overseas Decoration Building, #122 Zhenhua RD., Futian, Shenzhen, China



THIS DRAWING IS UNPUBLISHED. RELEASED FOR PUBLICATION
 © COPYRIGHT BY TYCO ELECTRONICS CORPORATION. ALL RIGHTS RESERVED.

LOC	DIST	REVISIONS					
AA	00	P	LTR	DESCRIPTION	DATE	DWN	APVD
		B1		ECR-09-004284	16APR2009	TY	SY



1. MATERIAL: HOUSING - HTN NYLON, BLACK, IR REFLOW PROCESSING COMPATIBLE, UL 94V-0. TERMINALS - .013[0.33] THICK PHOS BRONZE PLATED WITH .000050[1.27μm] THICK HARD GOLD IN LOCALIZED AREA AND .000150[3.81μm] THICK MATTE TIN IN SOLDER AREA OVER .000050[1.27μm] THICK NICKEL UNDERPLATE.

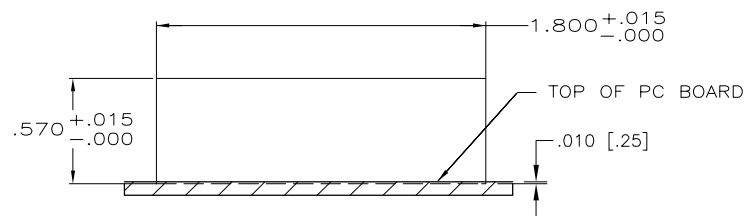
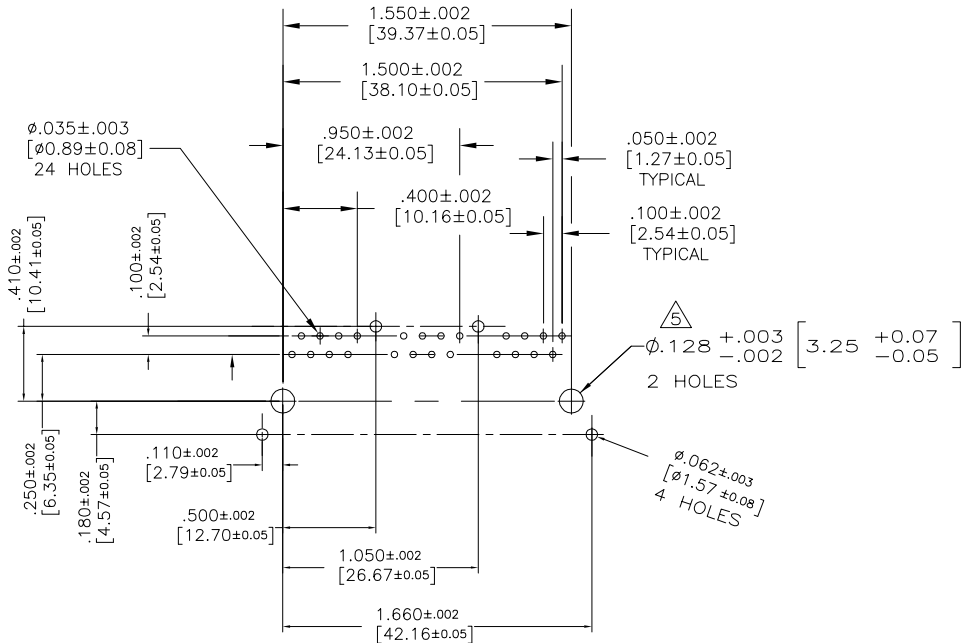
SHIELD - 0.010[.254m] THK. COPPER ALLOY PLATED WITH .000050[1.27μm] MIN. NICKEL AND .000080[2.03μm] MIN. HOT TIN DIP ON PCB GROUND TABS.

△ JACK CAVITY CONFORMS TO FCC RULES AND REGULATIONS, PART 68 SUBPART F.

3. ALL DIMENSIONS SHOWN ARE NOMINAL UNLESS OTHERWISE SPECIFIED.

4. ALL DIMENSIONS SHOWN IN BRACKETS [] ARE IN MILLIMETERS.

△ USE #30 DRILL BIT OR 3.25 MM DRILL BIT WHEN PRODUCING THESE PRINTED CIRCUIT BOARD HOLES.



SUGGESTED PANEL CUTOUT

SUGGESTED PC BOARD LAYOUT
 COMPONENT SIDE
 SEE APPLICATION SPECIFICATION

1761825-1
 PART NUMBER

THIS DRAWING IS A CONTROLLED DOCUMENT.		DWN V. SLACK	1-28-92	Tyco Electronics Corporation Harrisburg, Pa 17105-3608
		CHK B. FOX	6-08-92	
DIMENSIONS: INCHES		APVD G. REED	6-08-92	NAME MODULAR JACK ASSEMBLY, THREE PORT, 8 POSITION, RIGHT ANGLE
TOLERANCES UNLESS OTHERWISE SPECIFIED:		PRODUCT SPEC		
0 PLC ± -		108-1163		
1 PLC ± -		APPLICATION SPEC		
2 PLC ± .01[0.25]		114-2048		SIZE A2
3 PLC ± .005[0.13]		WEIGHT		CAGE CODE 00779
4 PLC ± -		FINISH		DRAWING NO 1761825
ANGLES ± -		CUSTOMER DRAWING		RESTRICTED TO -
SEE NOTE 1		SEE NOTE 1		SCALE 2:1
				SHEET 1 OF 1
				REV B1