



Chipsmall Limited consists of a professional team with an average of over 10 year of expertise in the distribution of electronic components. Based in Hongkong, we have already established firm and mutual-benefit business relationships with customers from,Europe,America and south Asia,supplying obsolete and hard-to-find components to meet their specific needs.

With the principle of “Quality Parts,Customers Priority,Honest Operation,and Considerate Service”,our business mainly focus on the distribution of electronic components. Line cards we deal with include Microchip,ALPS,ROHM,Xilinx,Pulse,ON,Everlight and Freescale. Main products comprise IC,Modules,Potentiometer,IC Socket,Relay,Connector.Our parts cover such applications as commercial,industrial, and automotives areas.

We are looking forward to setting up business relationship with you and hope to provide you with the best service and solution. Let us make a better world for our industry!



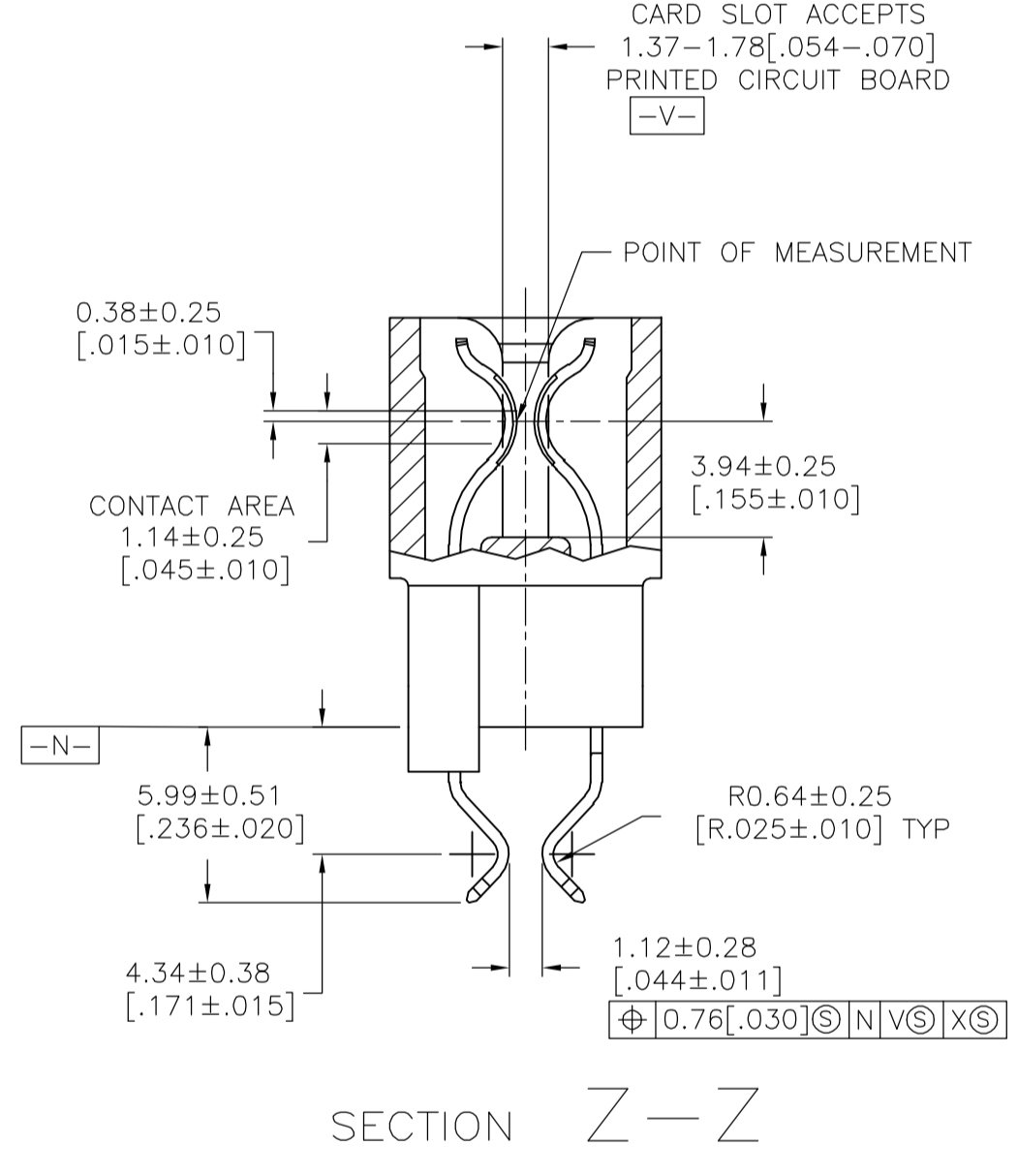
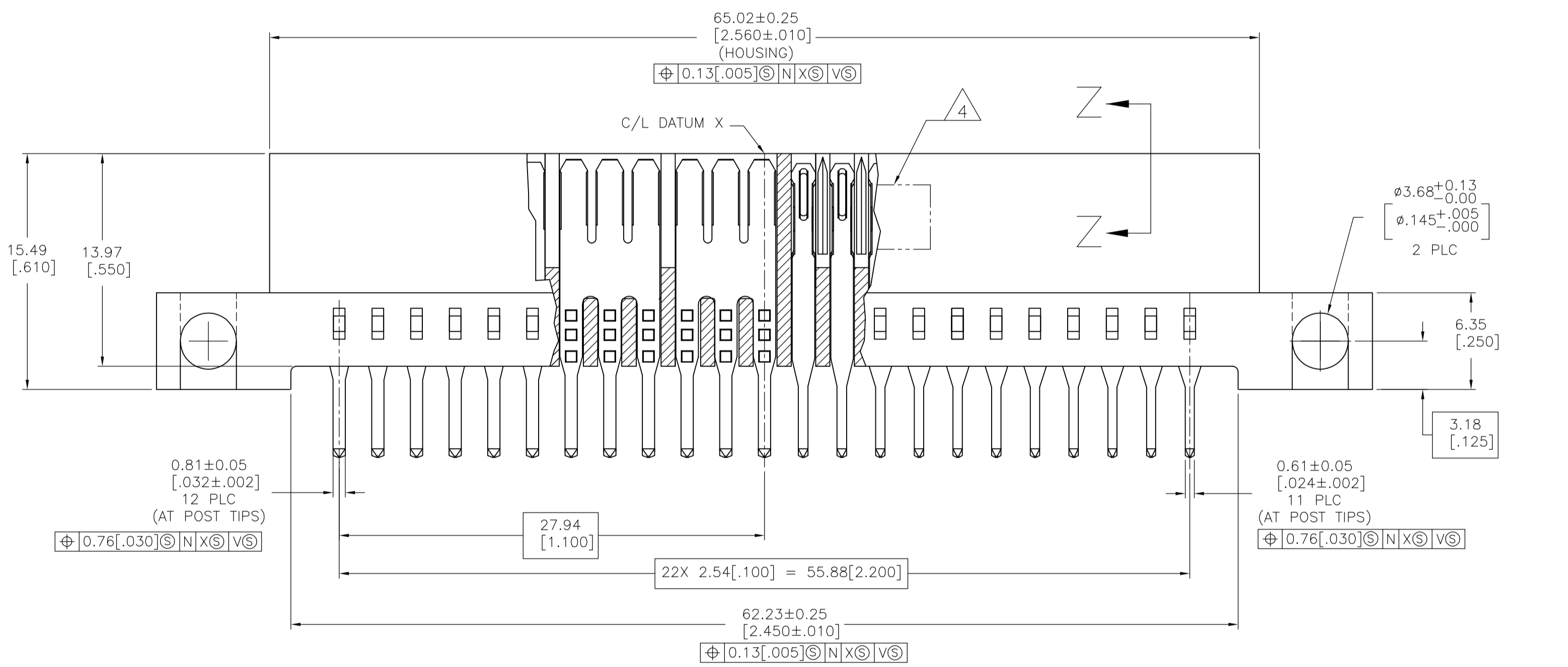
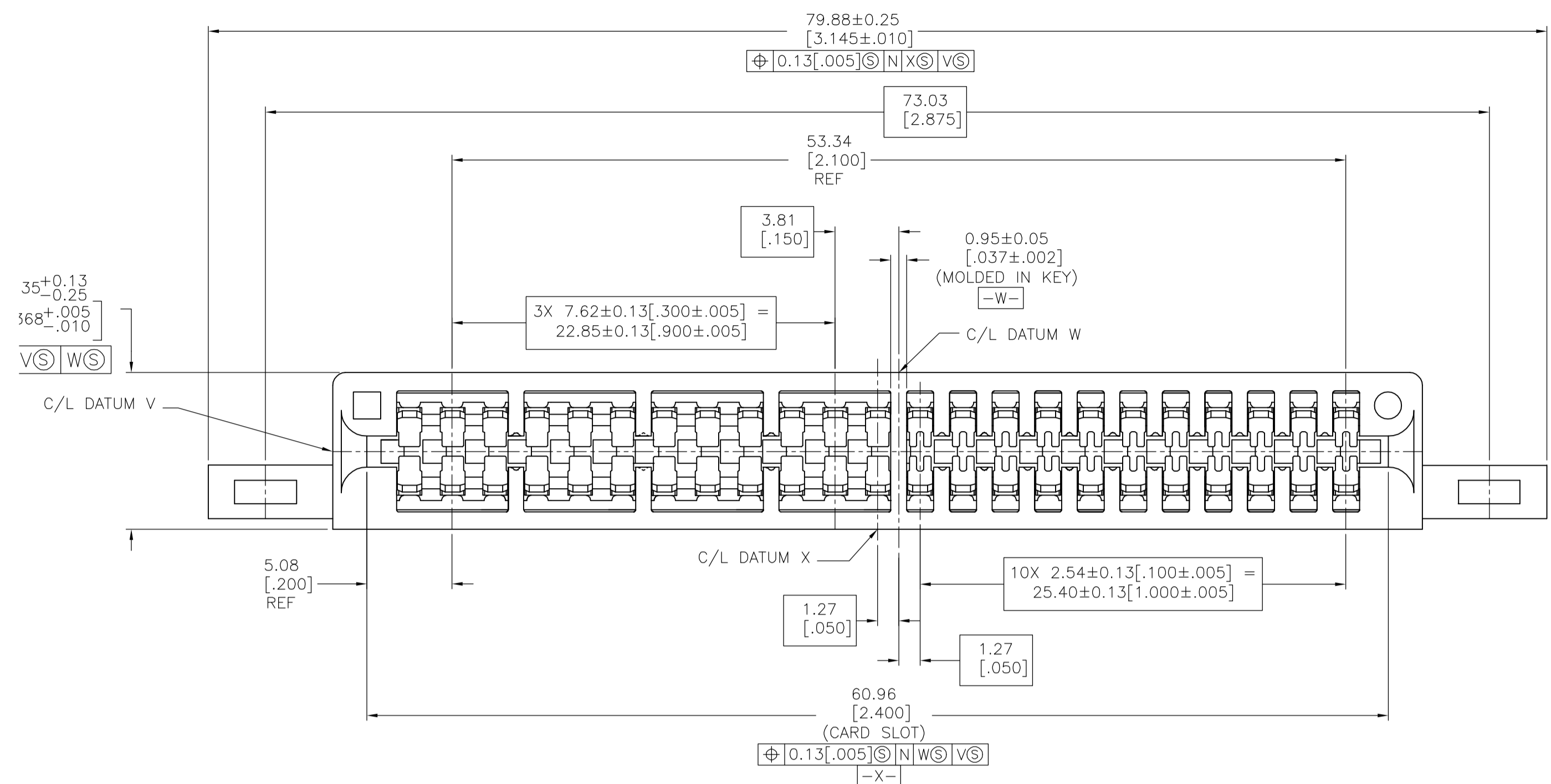
Contact us

Tel: +86-755-8981 8866 Fax: +86-755-8427 6832

Email & Skype: info@chipsmall.com Web: www.chipsmall.com

Address: A1208, Overseas Decoration Building, #122 Zhenhua RD., Futian, Shenzhen, China



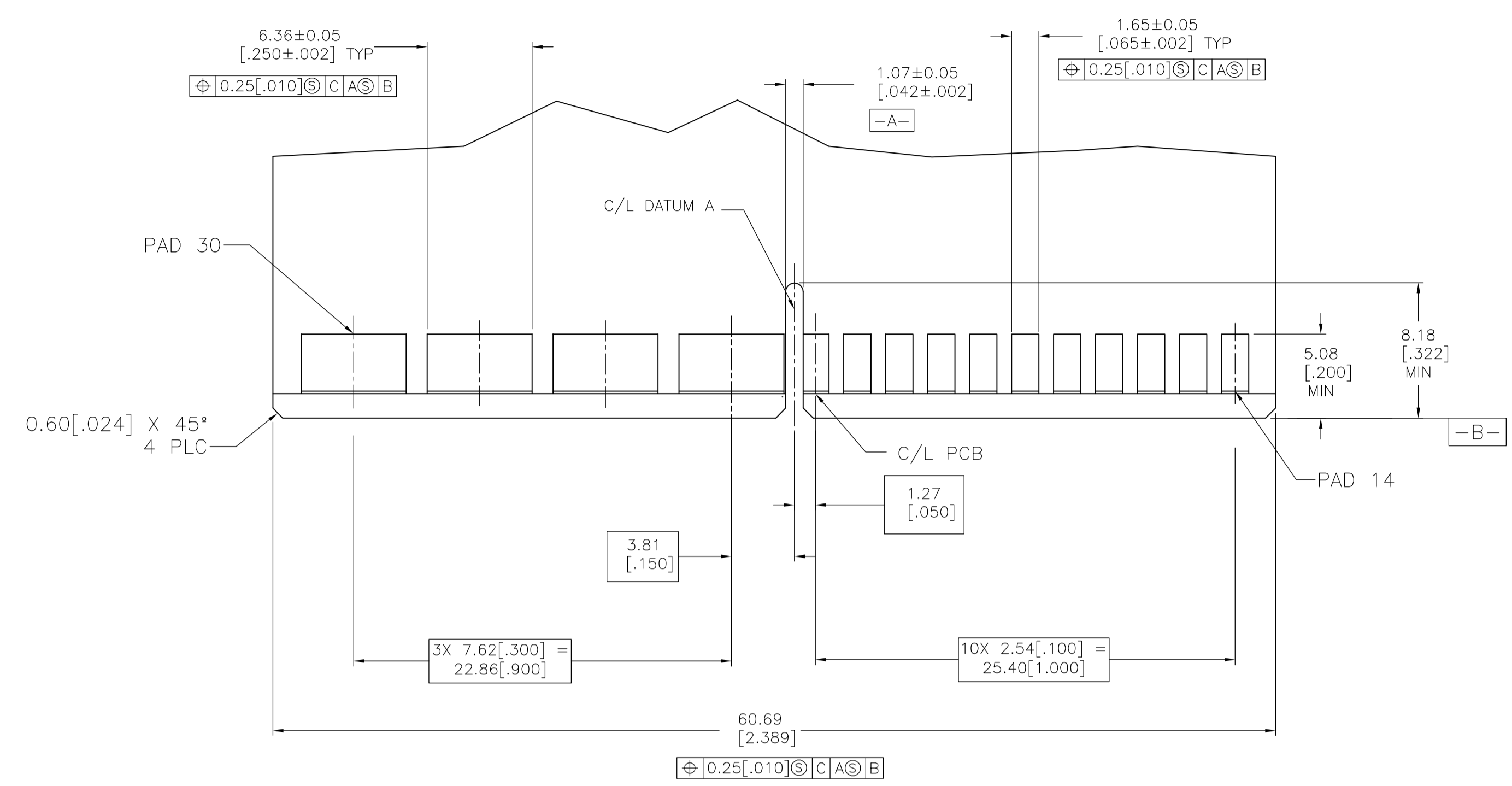


- HOUSING MATERIAL: GLASS FILLED POLYESTER, COLOR: BLACK
- CONTACT BASE MATERIAL: HIGH CONDUCTIVITY COPPER ALLOY
- CONTACT FINISH: NICKEL PLATE, .00127 [.000050] MIN, ALL OVER OVER MATTE TIN PLATE, .00254 [.000100] MIN ON SOLDER POSTS, GOLD PLATE, .00076 [.000030] MIN IN MATING INTERFACE
- AMP PART NUMBER AND DATE CODE MARKED IN APPROXIMATE AREA SHOWN
- NO BURRS AND/OR SHARP EDGES ARE PERMISSABLE

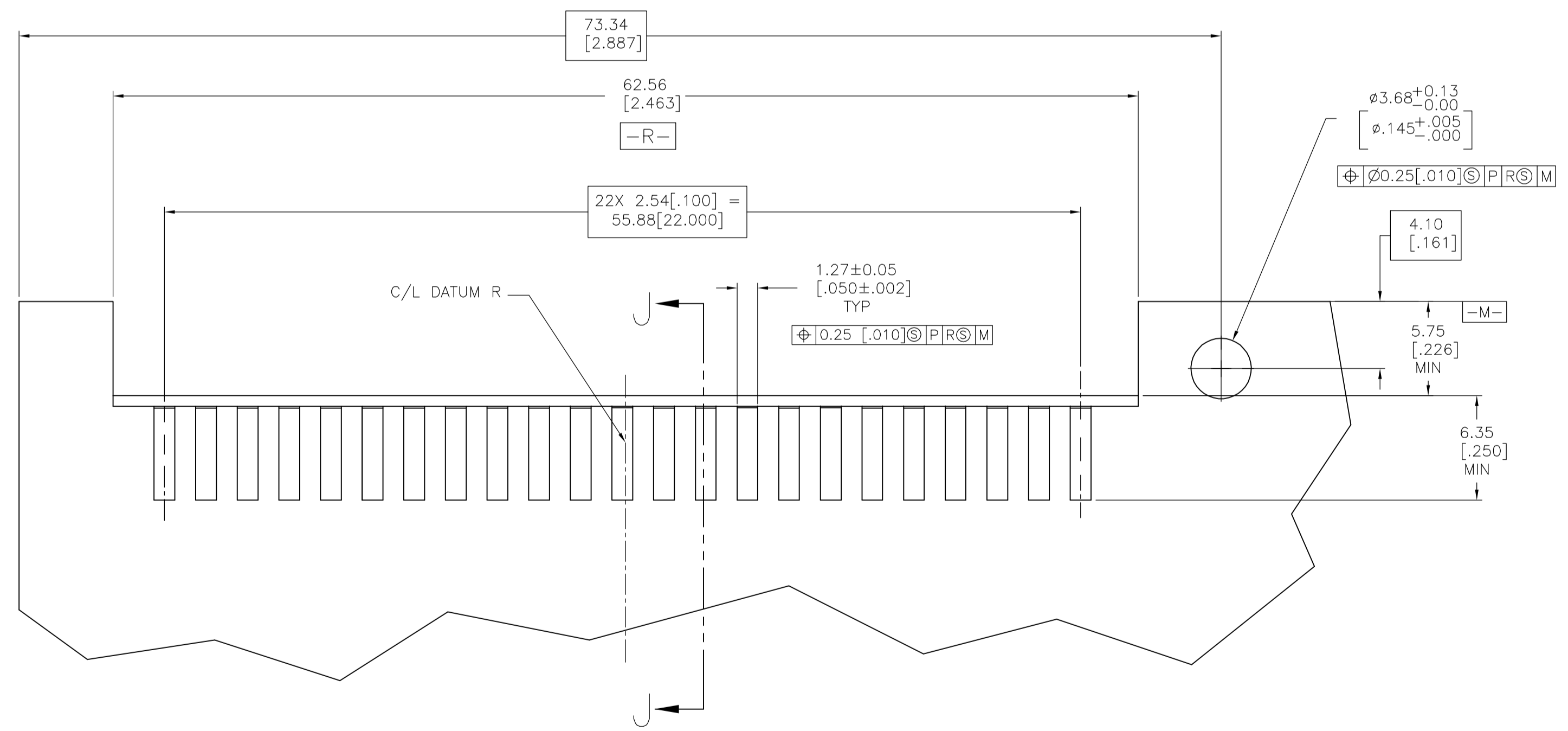
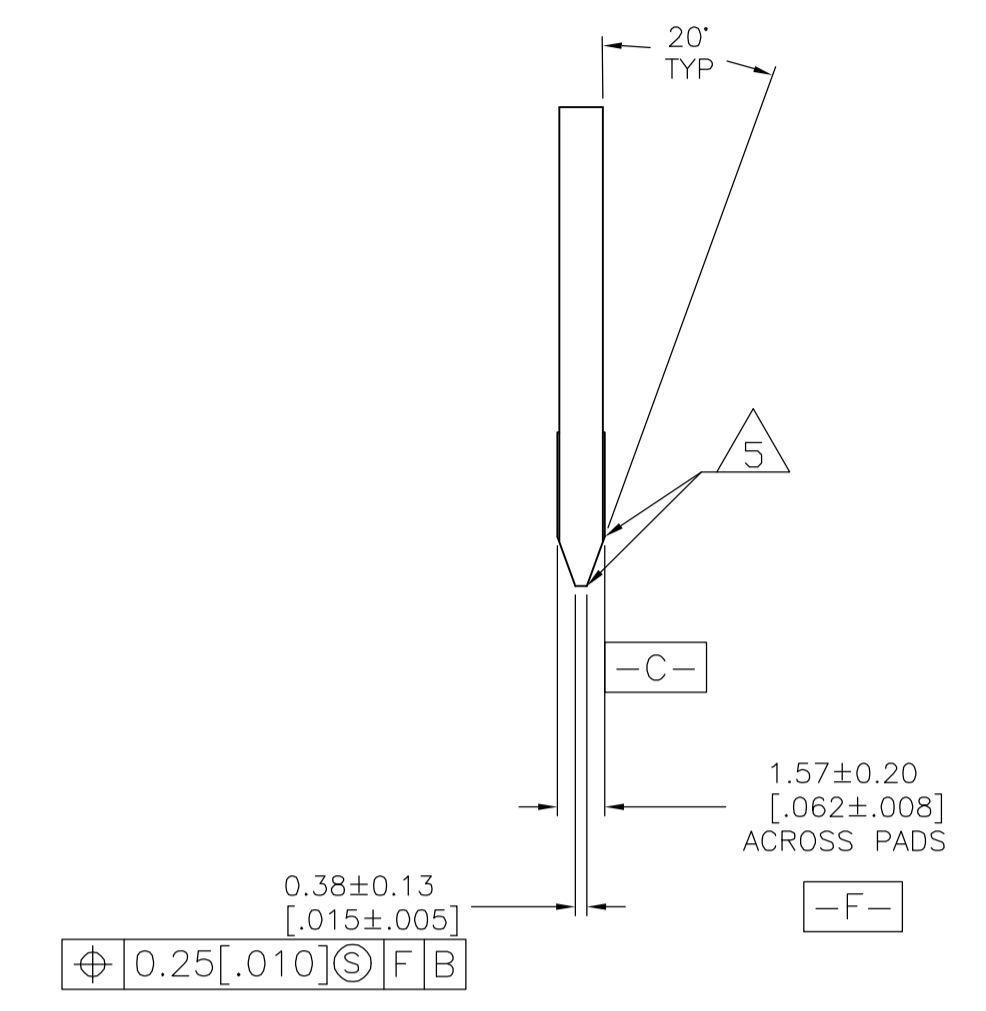
11	4	1761879-1
NO OF SINGLE POSITIONS	NO OF MULTIPLE POSITIONS	PART NUMBER

THIS DRAWING IS A CONTROLLED DOCUMENT.

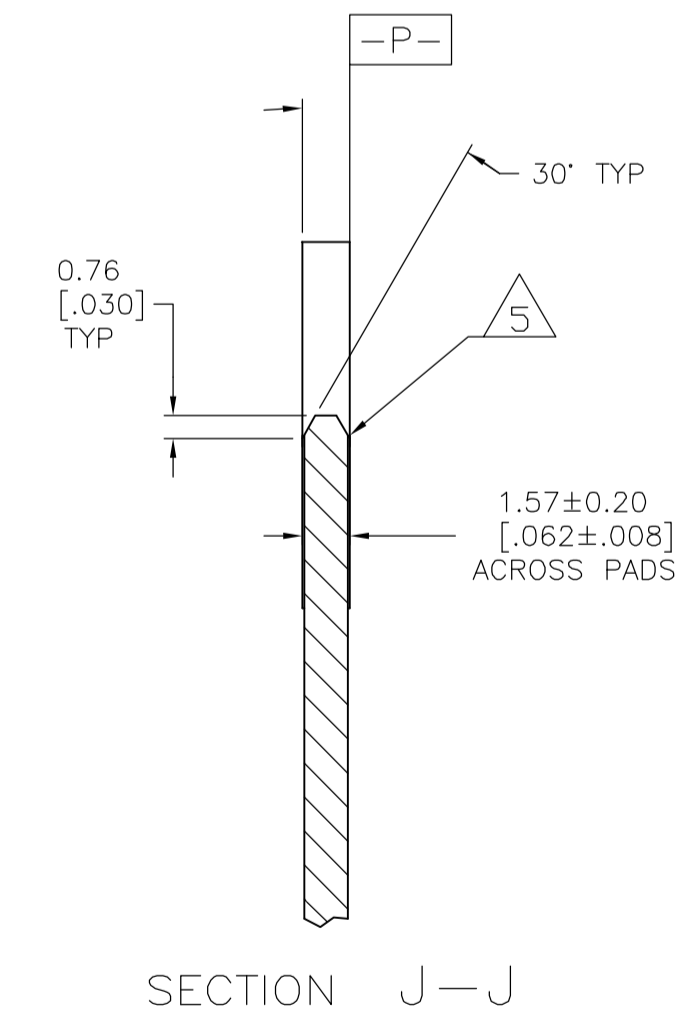
DIMENSIONS:	TOLERANCES UNLESS OTHERWISE SPECIFIED:	DWN	18 APR 05		Tyco Electronics Corporation Middletown, PA 17057
MM [INCHES]	0 PLC ± - 1 PLC ± - 2 PLC ± 0.13 [.005] 3 PLC ± - 4 PLC ± - ANGLES ± 1°	CHK	18 APR 05		NAME
MATERIAL SEE NOTE 1 & 2	FINISH SEE NOTE 3	APVD	17JULY2006	PRODUCT SPEC	108-2202
		SIZE	CAGE CODE	DRAWING NO	RESTRICTED TO
		WEIGHT	A1	00779	1761879
		CUSTOMER DRAWING	SCALE	4:1	SHEET 1 OF 2



RECOMMENDED MATING BOARD EDGE CONFIGURATION
 TYP BOTH SIDES



RECOMMENDED PC BOARD LAYOUT FOR CONNECTOR MOUNTING
 TYP BOTH SIDES



SECTION J-J

THIS DRAWING IS A CONTROLLED DOCUMENT.		DIN AL FRANTUM 18 APR 05	 Tyco Electronics Corporation Middletown, PA 17057
DIMENSIONS: MM [INCHES]		CHK AL FRANTUM 18 APR 05	
TOLERANCES UNLESS OTHERWISE SPECIFIED:		APVD S. FLICKINGER 17JULY2006	NAME
0 PLC ± -	1 PLC ± -	PRODUCT SPEC	CONNECTOR ASSEMBLY,
2 PLC ± ± 28 [0.10]	3 PLC ± ± -	APPLICATION SPEC	SEC II POWER, DUAL POSITION,
4 PLC ± ± -	ANGLES ± 1°	SIZE	2.54 [0.100] CENTERLINE, CARD EDGE
MATERIAL SEE SHEET 1	FINISH SEE SHEET 1	WEIGHT	RESTRICTED TO
CUSTOMER DRAWING		SCALE 4:1	SHEET 2 OF 2
		DRAWING NO. A100779	REV B
		C=1761879	