



Chipsmall Limited consists of a professional team with an average of over 10 year of expertise in the distribution of electronic components. Based in Hongkong, we have already established firm and mutual-benefit business relationships with customers from,Europe,America and south Asia,supplying obsolete and hard-to-find components to meet their specific needs.

With the principle of “Quality Parts,Customers Priority,Honest Operation,and Considerate Service”,our business mainly focus on the distribution of electronic components. Line cards we deal with include Microchip,ALPS,ROHM,Xilinx,Pulse,ON,Everlight and Freescale. Main products comprise IC,Modules,Potentiometer,IC Socket,Relay,Connector.Our parts cover such applications as commercial,industrial, and automotives areas.

We are looking forward to setting up business relationship with you and hope to provide you with the best service and solution. Let us make a better world for our industry!



Contact us

Tel: +86-755-8981 8866 Fax: +86-755-8427 6832

Email & Skype: info@chipsmall.com Web: www.chipsmall.com

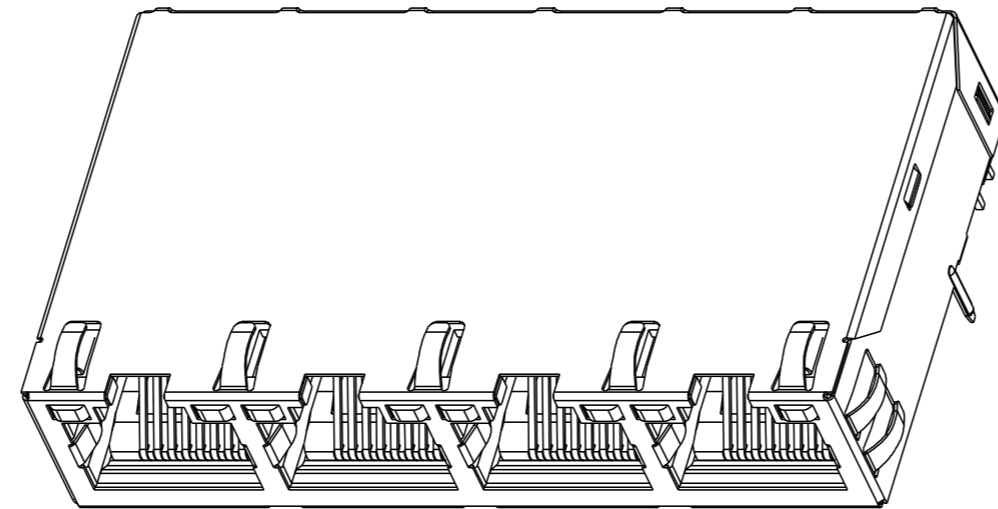
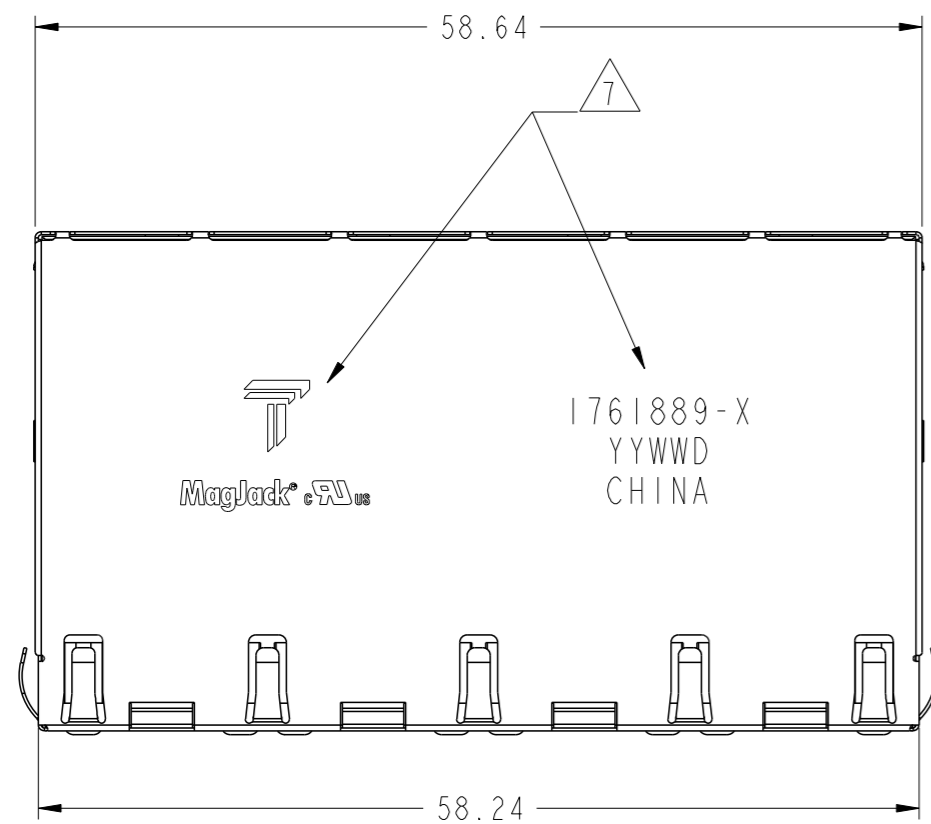
Address: A1208, Overseas Decoration Building, #122 Zhenhua RD., Futian, Shenzhen, China



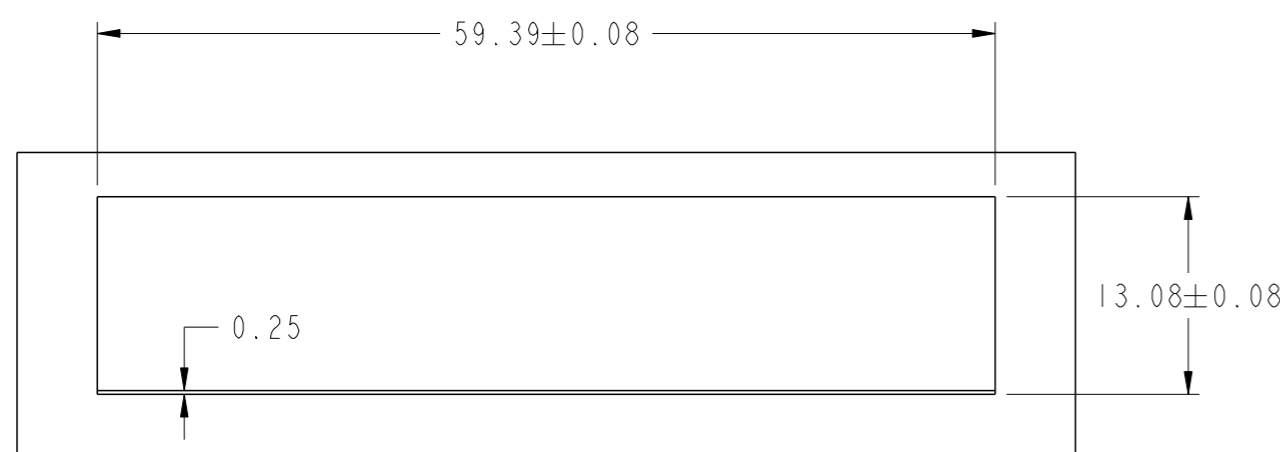
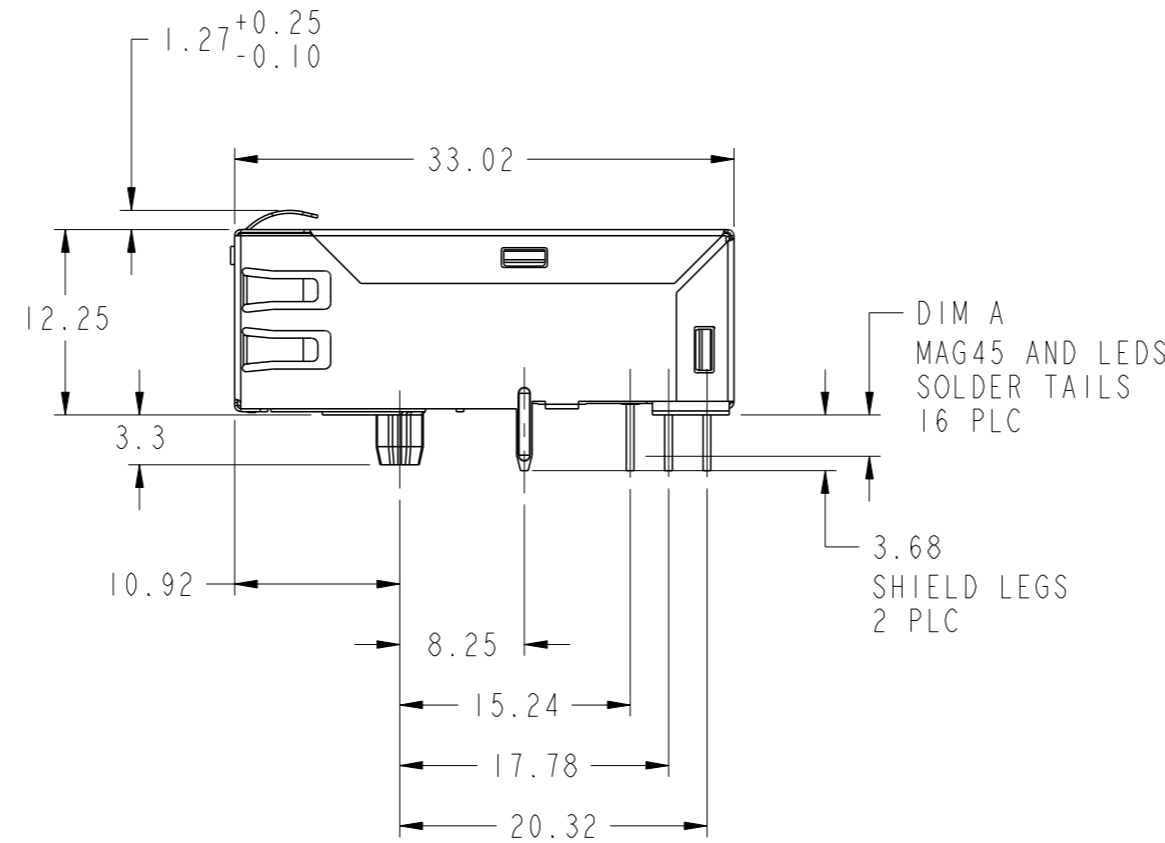
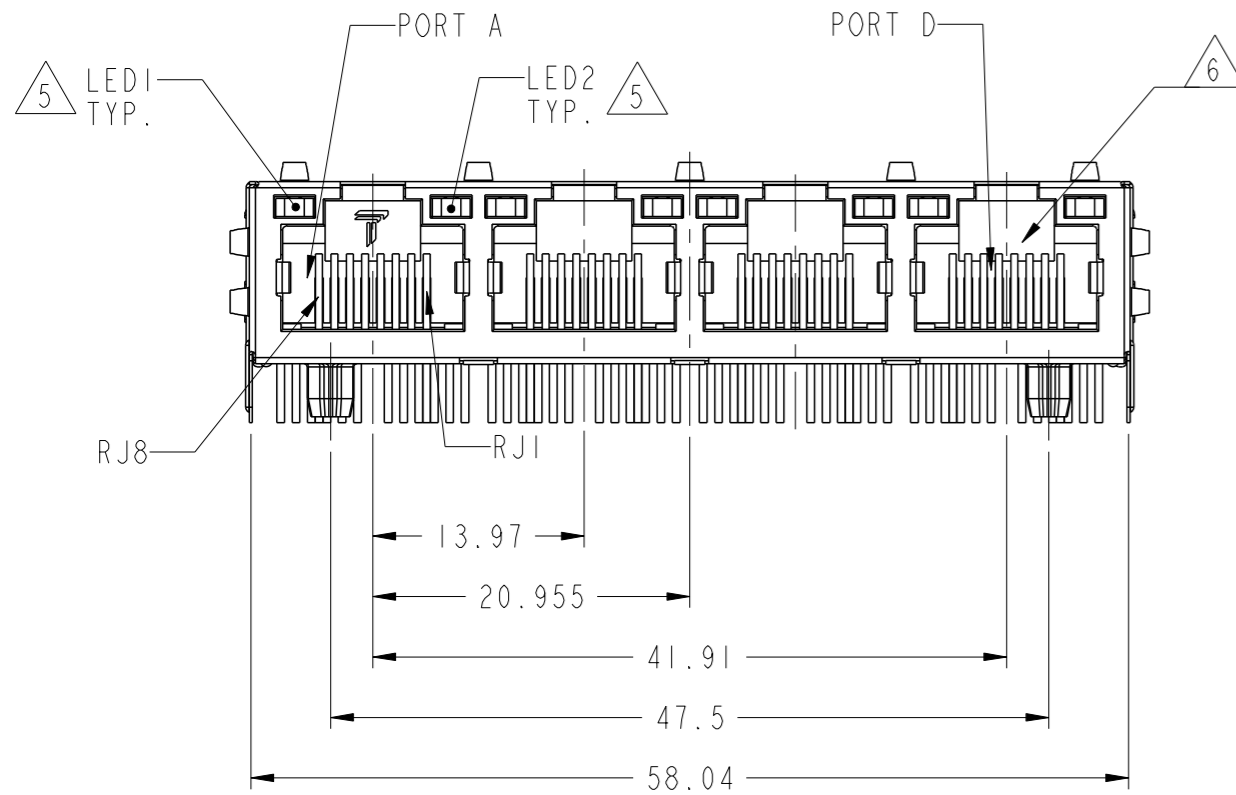
THIS DRAWING AND THE SUBJECT MATTER SHOWN THEREON ARE CONFIDENTIAL AND THE PROPERTY OF BEL/STEWART/TRP CONNECTOR AND SHALL NOT BE REPRODUCED, COPIED, OR USED IN ANY MANNER WITHOUT THE WRITTEN CONSENT OF TRP CONNECTOR.

PRODUCT MAY BE PROTECTED BY ONE OR MORE OF THE FOLLOWING US PATENTS:
 5736910 5939955 6425781 6428361 6554638 6840817 7123117
 7429195 7717749 7808751 6217391 6149050 7924130

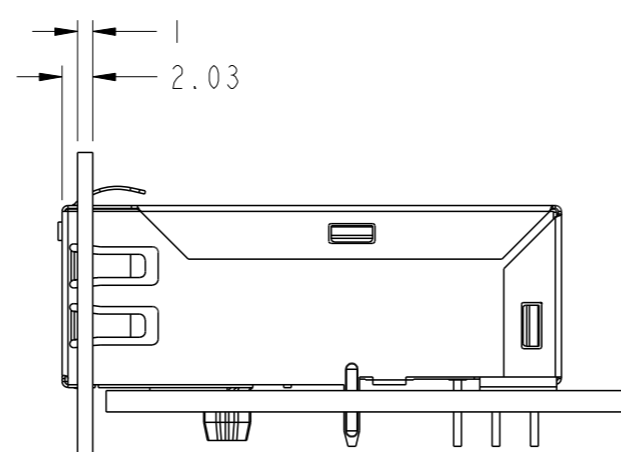
REVISIONS				
P	LTR	DESCRIPTION	DATE	APVD
G		LOGO CHANGE	07APR2013	PP KZ
H		COMPANY LOGO CHANGE AND EC-1409035	08JAN2015	TYR TYN



SCALE 2:1



SUGGESTED PANEL CUTOUT



CONNECTOR ASSEMBLED TO PANEL AND PCB SCALE 2:1

1. MATERIALS

HOUSING: THERMOPLASTIC, BLACK, FLAMMABILITY RATING UL 94V-0
 SHIELD: BRASS, 0.20mm THICK, PREPLATED WITH MIN 0.76um SEMI-BRIGHT NICKEL POST DIPPED WITH 2.54um MIN SAC SOLDER AT GROUND PINS.
 CONTACT: PHOSPHOR BRONZE, 0.46mm X0.25mm WITH 1.27um MIN OVERALL NICKEL UNDERPLATE AND SELECTIVE 1.27um MIN GOLD PLATING AT MATING INTERFACE
 SOLDER TAIL: COPPER CLADDED STEEL, 0.50mm SQUARE PLATED WITH 2.54um MIN MATTE TIN
 LIGHT PIPE: POLYCARBON, TRANSPARENT, RATING UL 94V-0
 LED: DIFFUSED EPOXY LENS, 0.50mm SQUARE CARBON STEEL WIREFRAME LEADS PREPLATED WITH 2.03um MIN SILVER OVER 1.02um MIN NICKEL UNDERPLATE OVER 1.02um MIN COPPER UNDERPLATE; POST PLATED WITH 2.54um MIN MATTE TIN. TIP TIN DIPPING

△ MAGNETICS

-APPLICATION: 10/100/1000 BASE-T
 -IMPEDANCE: 100 OHMS
 -TURNS RATIO (CHIP:CABLE): 1:1 ALL FOUR PAIRS
 -OPEN CIRCUIT INDUCTANCE (OCL): 350uH MIN @100kHz, 0.1VRMS, 8mA DC BIAS FROM 0°C TO 70°C, ALL FOUR PAIRS
 -ALL FOUR PAIRS BI-DIRECTIONAL
 -PERFORMANCE @ 25°C:
 INSERTION LOSS (IL): 1.1dB MAX FROM 0.5MHz TO 100MHz
 RETURN LOSS (RL): 18dB MIN FROM 0.5MHz TO 40MHz
 12-20LOG(f/80)dB MIN FROM 40.1MHz TO 100MHz
 CROSSTALK ATTENUATION: 35dB MIN FROM 0.5MHz TO 40MHz
 33-20LOG(f/50)dB MIN FROM 40.1MHz TO 100MHz
 COMMON MODE REJECTION RATIO (CMRR): 30dB MIN FROM 0.5MHz TO 100MHz
 -ISOLATION VOLTAGE:
 1761889-11-2/-3, 2-1761889-11-2/-3 COMPLY WITH IEEE802.3 2002, PARA 40.6.1.1, ITEM b.
 1761889-8,6-1761889-8,8-1761889-8 COMPLY WITH IEEE802.3 2002, PARA 40.6.1.1, ITEM a AND b.

△ THE MAGNETIC CIRCUIT ON ALL FOUR CHANNELS IS SYMMETRICAL AND SUPPORTS AUTO-MDIX OPERATION.

4. OPERATING TEMPERATURE: 0°C - 70°C

△ LEDS ARE DRIVEN WITH CONSTANT CURRENT AT APPROX 20mA.

LED COLOR: DOMINANT WAVELENGTH (λD): GREEN 568 nm TYP. at IF=20mA
 FORWARD VOLTAGE (VF): GREEN 2.2V TYP. at IF=20mA
 DOMINANT WAVELENGTH (λD): YELLOW 588 nm TYP. at IF=20mA
 FORWARD VOLTAGE (VF): YELLOW 2.1V TYP. at IF=20mA
 DOMINANT WAVELENGTH (λD): ORANGE 610 nm TYP. at IF=20mA
 FORWARD VOLTAGE (VF): ORANGE 2.1V TYP. at IF=20mA

△ RJ45 CAVITY CONFORMS TO FCC RULES AND REGULATION PART 68 SUBPART F.

△ TRP CONNECTOR LOGO, PART NUMBER, DATE CODE, COUNTRY OF ORIGIN, AGENCY APPROVAL MARKING IN APPROPRIATE LOCATION SHOWN. DATE CODE YY IS YEAR, WW IS WORK WEEK, D IS DAY OF WEEK WITH SUNDAY=1

8. THESE PARTS ARE RECOMMENDED FOR WAVE SOLDERING PROCESS, PEAK WAVE SOLDERING TEMPERATURE IS 265°C, 10sec MAX.

3.18	GREEN	YELLOW	8-1761889-8
3.18	GREEN	GREEN/YELLOW	2-1761889-3
3.18	GREEN/ORANGE	YELLOW	2-1761889-2
3.18	GREEN	GREEN	2-1761889-1
2.74	GREEN	YELLOW	6-1761889-8
3.18	GREEN/YELLOW	GREEN	1761889-8
2.74	GREEN	GREEN/YELLOW	1761889-3
2.74	GREEN/ORANGE	YELLOW	1761889-2
2.74	GREEN	GREEN	1761889-1
DIM A	LED1	LED2	PART NUMBER

THIS DRAWING IS A CONTROLLED DOCUMENT.

DWN KEITH ZHU 21JUN2005

CHK TEDDY XIONG 21JUN2005

APVD TEDDY XIONG 21JUN2005

MODEL NAME

MAGJACK

GANG NON-POE

SIZE A2

CAGE CODE C-1761889

DRAWING NO

RESTRICTED TO

CUSTOMER DRAWING

SCALE 2:1

SHEET 1 OF 2

REV H



DESC 1X4 1G27 GIGABIT TAB UP LOW PROFILE W/ LED

SIZE A2

CAGE CODE C-1761889

DRAWING NO

RESTRICTED TO

CUSTOMER DRAWING

SCALE 2:1

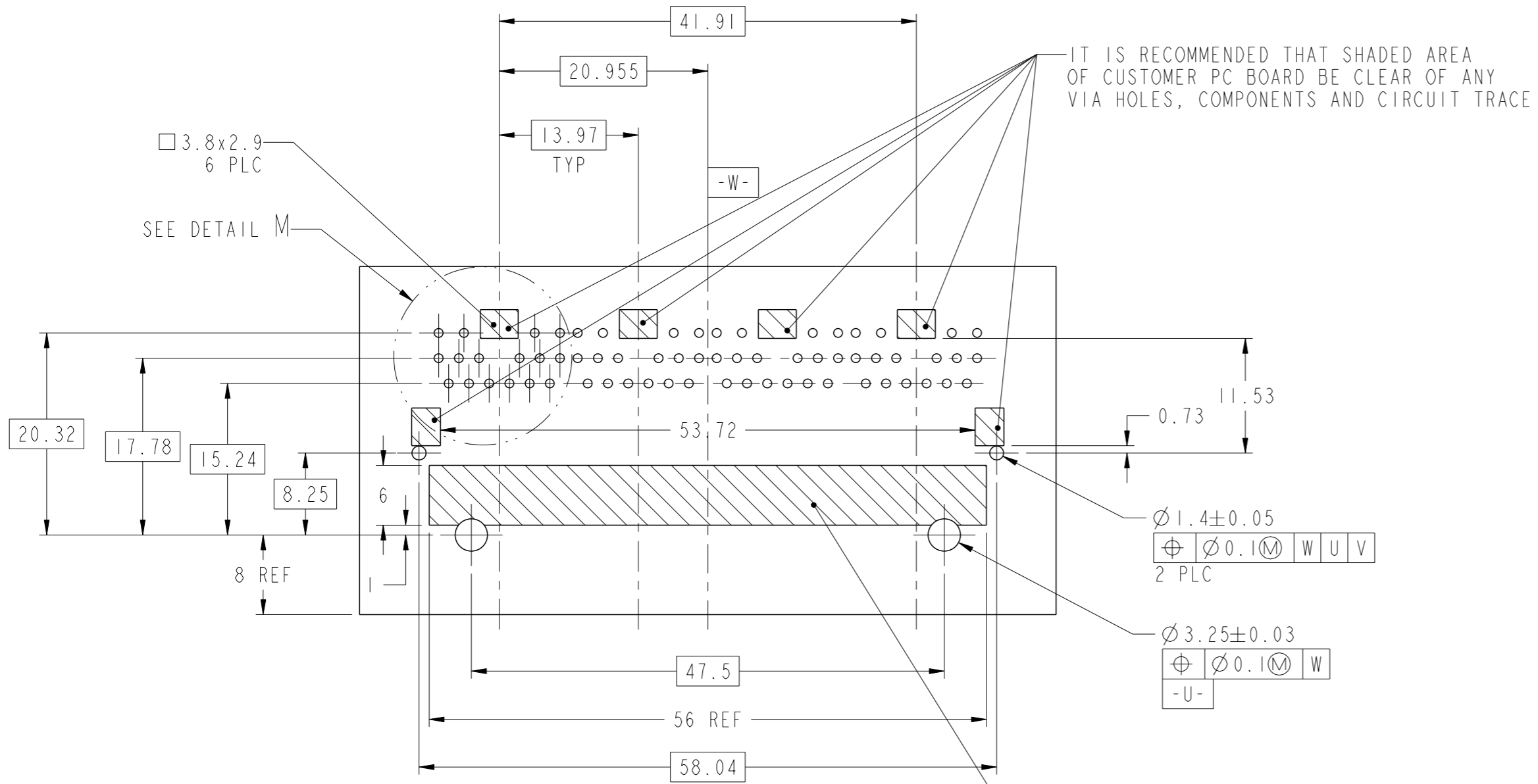
SHEET 1 OF 2

REV H

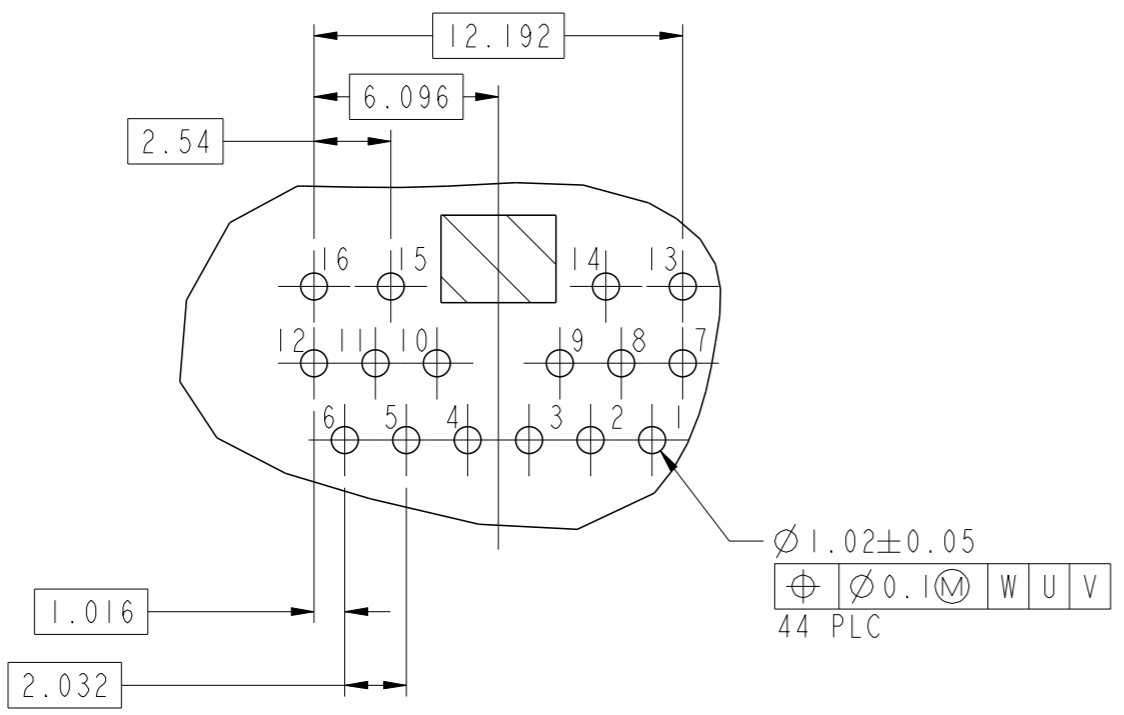
DIMENSIONS:	TOLERANCES UNLESS OTHERWISE SPECIFIED:
mm	
0 PLC	±
1 PLC	±0.25
2 PLC	±0.25
3 PLC	±0.25
4 PLC	±
ANGLES	±
APPLICATION SPEC	

PRODUCT SPEC

108-2100

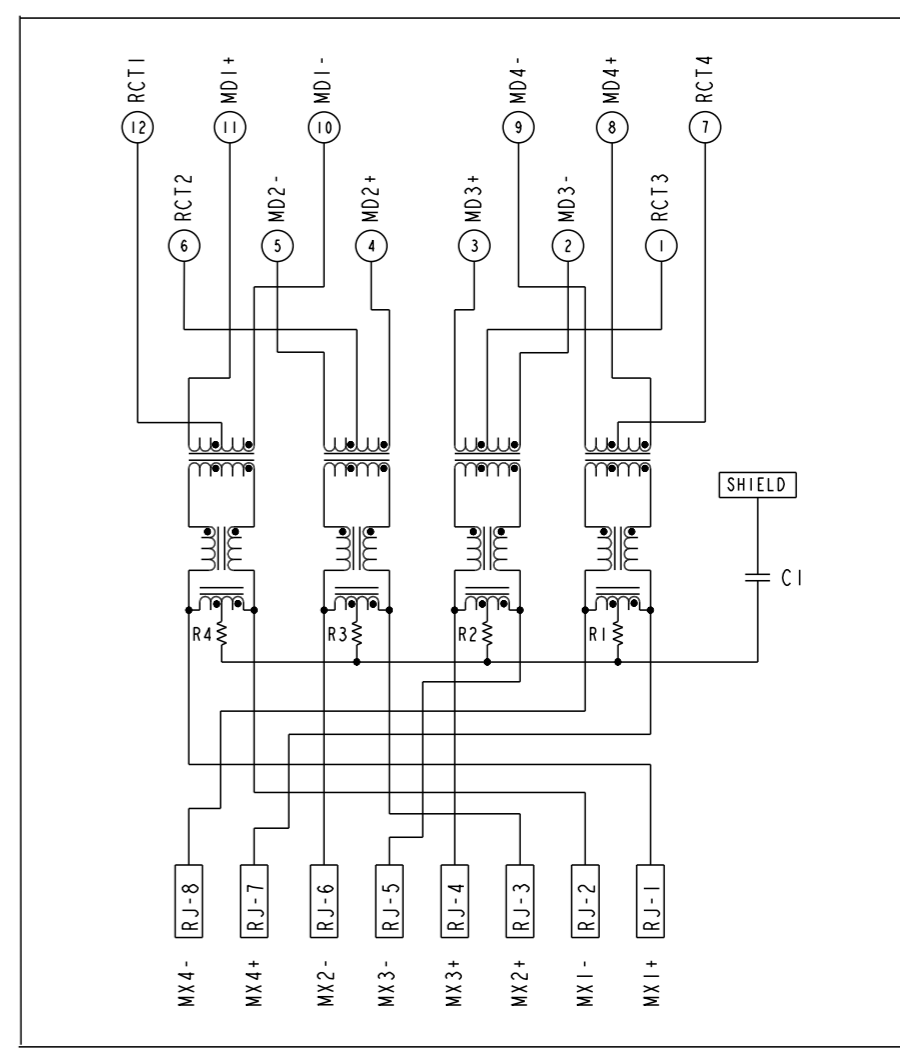


SUGGESTED PCB FOOTPRINT COMPONENT SIDE SCALE 2:1

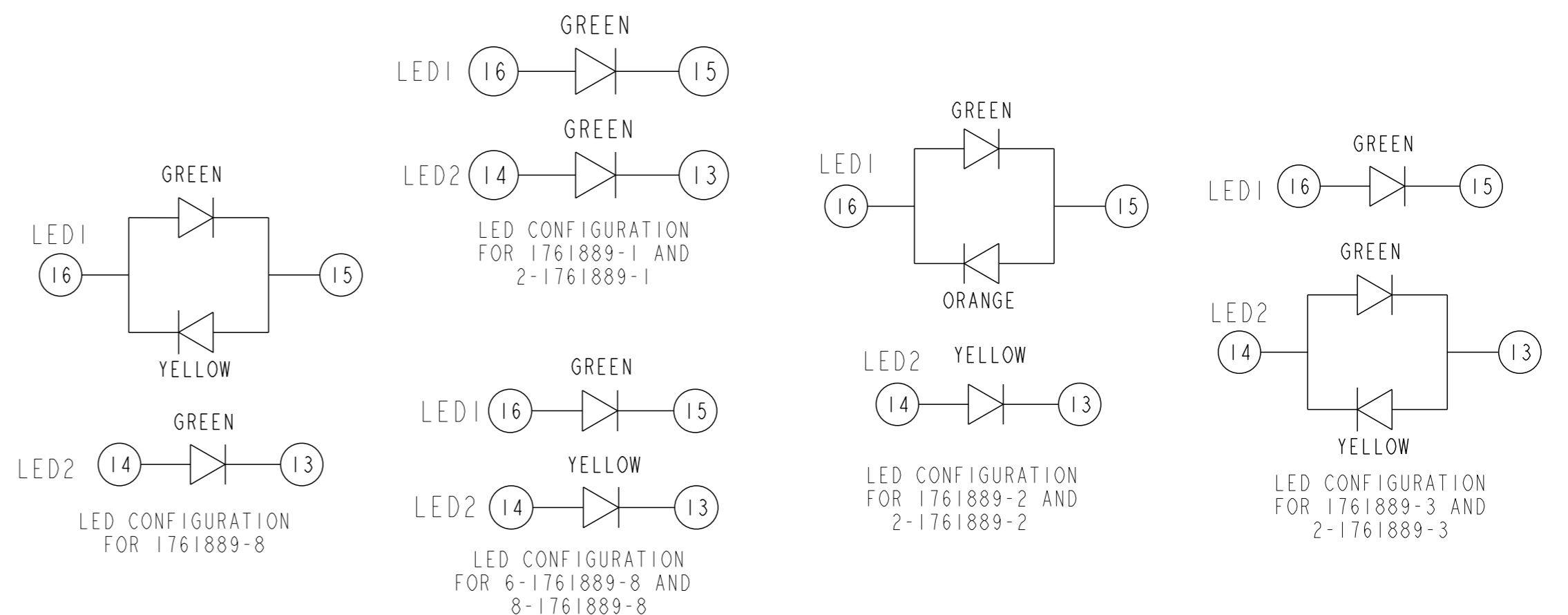


DETAIL M SCALE 4:1

1G27 GIGABIT CIRCUIT



R1-R4=75 Ohms, 5%, 1/16W RESISTORS
 C1=1000pF, 3kV CAPACITOR FOR 1761889-8,6-1761889-8,8-1761889-8 ONLY.
 C1=1000pF, 2kV CAPACITOR FOR 1761889-11-21-3 & 2-1761889-11-21-3 ONLY.



THIS DRAWING IS A CONTROLLED DOCUMENT.		DWN KEITH ZHU 21JUN2005	<p>trp CONNECTOR a bel group</p>	DONGGUAN CHINA		
DIMENSIONS: mm		CHK TEDDY XIONG 21JUN2005		DESC 1X4 1G27 GIGABIT TAB UP LOW PROFILE W/ LED		
TOLERANCES UNLESS OTHERWISE SPECIFIED:		APVD TEDDY XIONG 21JUN2005				
PRODUCT SPEC 108-2100		MODEL NAME MAGJACK GANG NON-POE		SIZE A2	CAGE CODE C-1761889	RESTRICTED TO -
CUSTOMER DRAWING			SCALE 2:1	SHEET 2 OF 2	REV H	