



Chipsmall Limited consists of a professional team with an average of over 10 year of expertise in the distribution of electronic components. Based in Hongkong, we have already established firm and mutual-benefit business relationships with customers from,Europe,America and south Asia,supplying obsolete and hard-to-find components to meet their specific needs.

With the principle of "Quality Parts,Customers Priority,Honest Operation,and Considerate Service",our business mainly focus on the distribution of electronic components. Line cards we deal with include Microchip,ALPS,ROHM,Xilinx,Pulse,ON,Everlight and Freescale. Main products comprise IC,Modules,Potentiometer,IC Socket,Relay,Connector.Our parts cover such applications as commercial,industrial, and automotives areas.

We are looking forward to setting up business relationship with you and hope to provide you with the best service and solution. Let us make a better world for our industry!



## Contact us

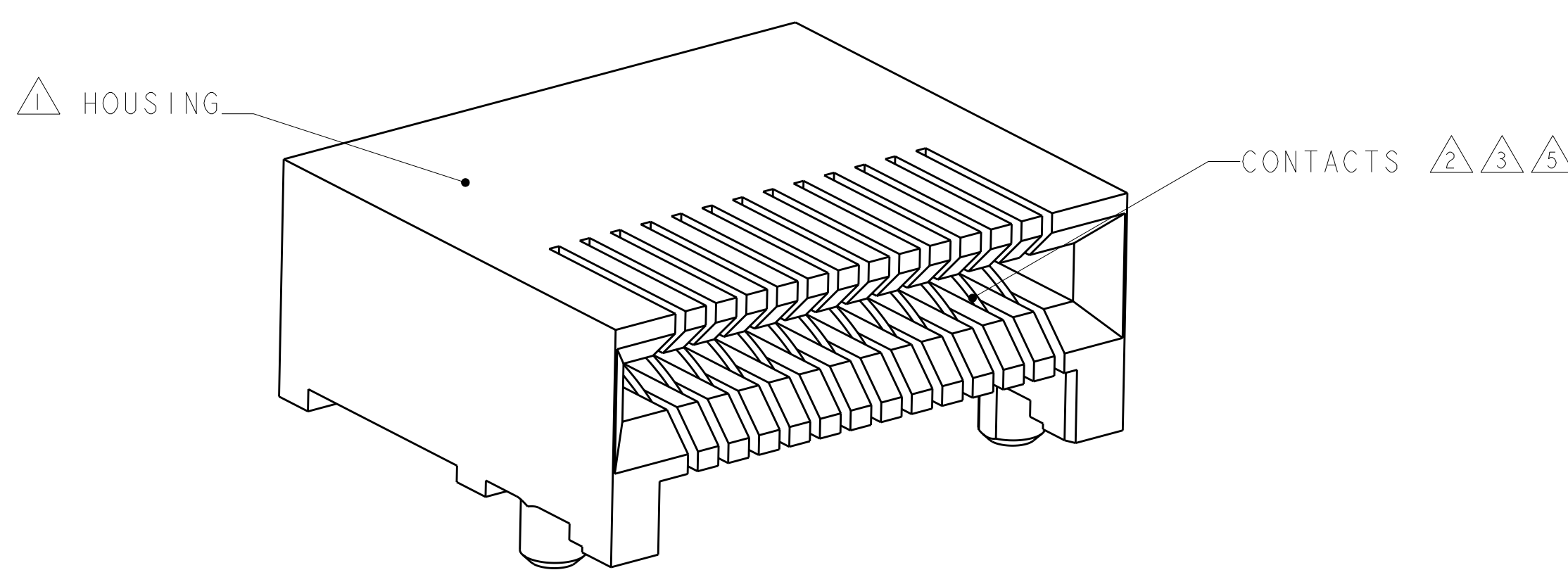
Tel: +86-755-8981 8866 Fax: +86-755-8427 6832

Email & Skype: info@chipsmall.com Web: www.chipsmall.com

Address: A1208, Overseas Decoration Building, #122 Zhenhua RD., Futian, Shenzhen, China

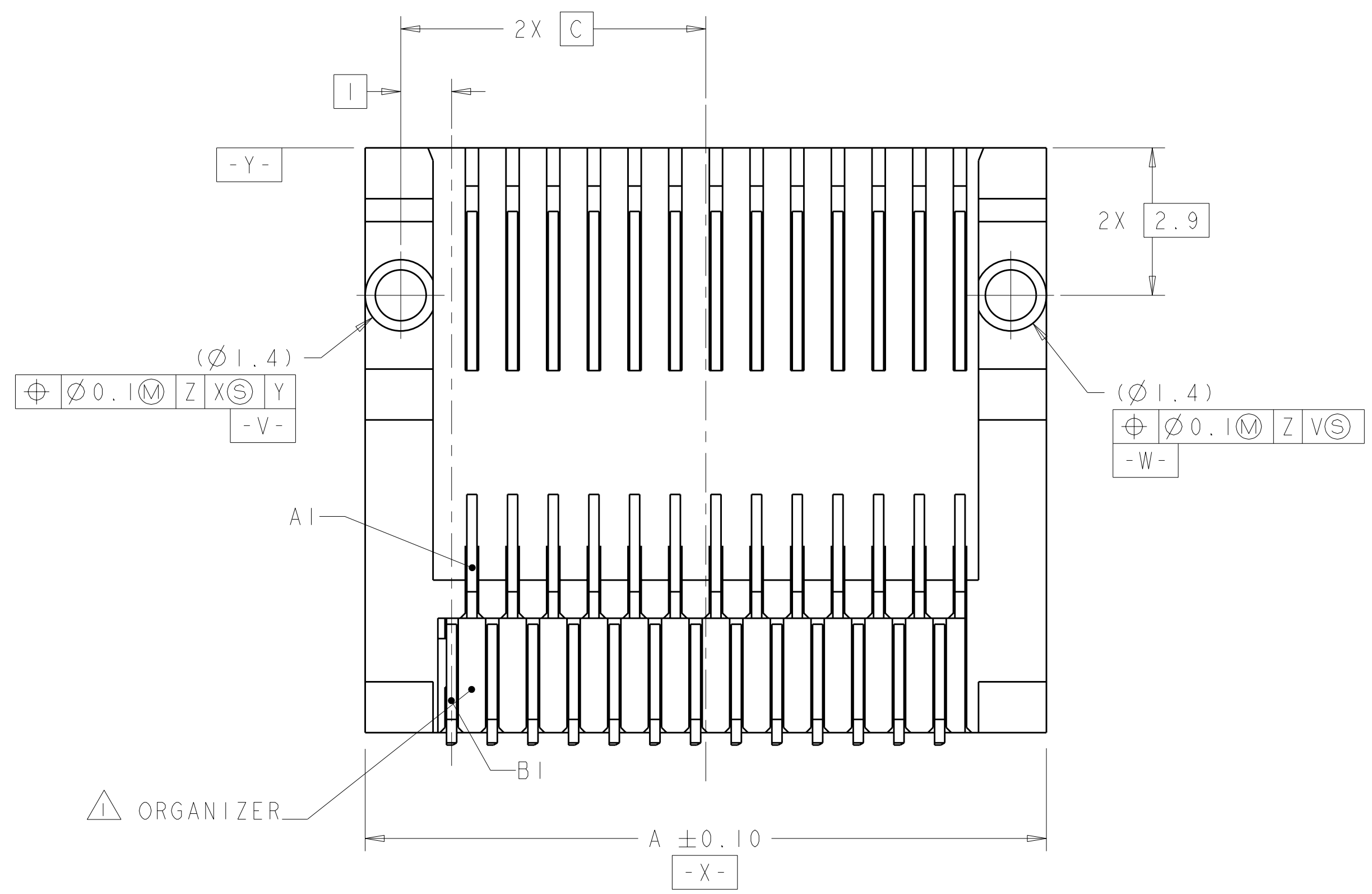
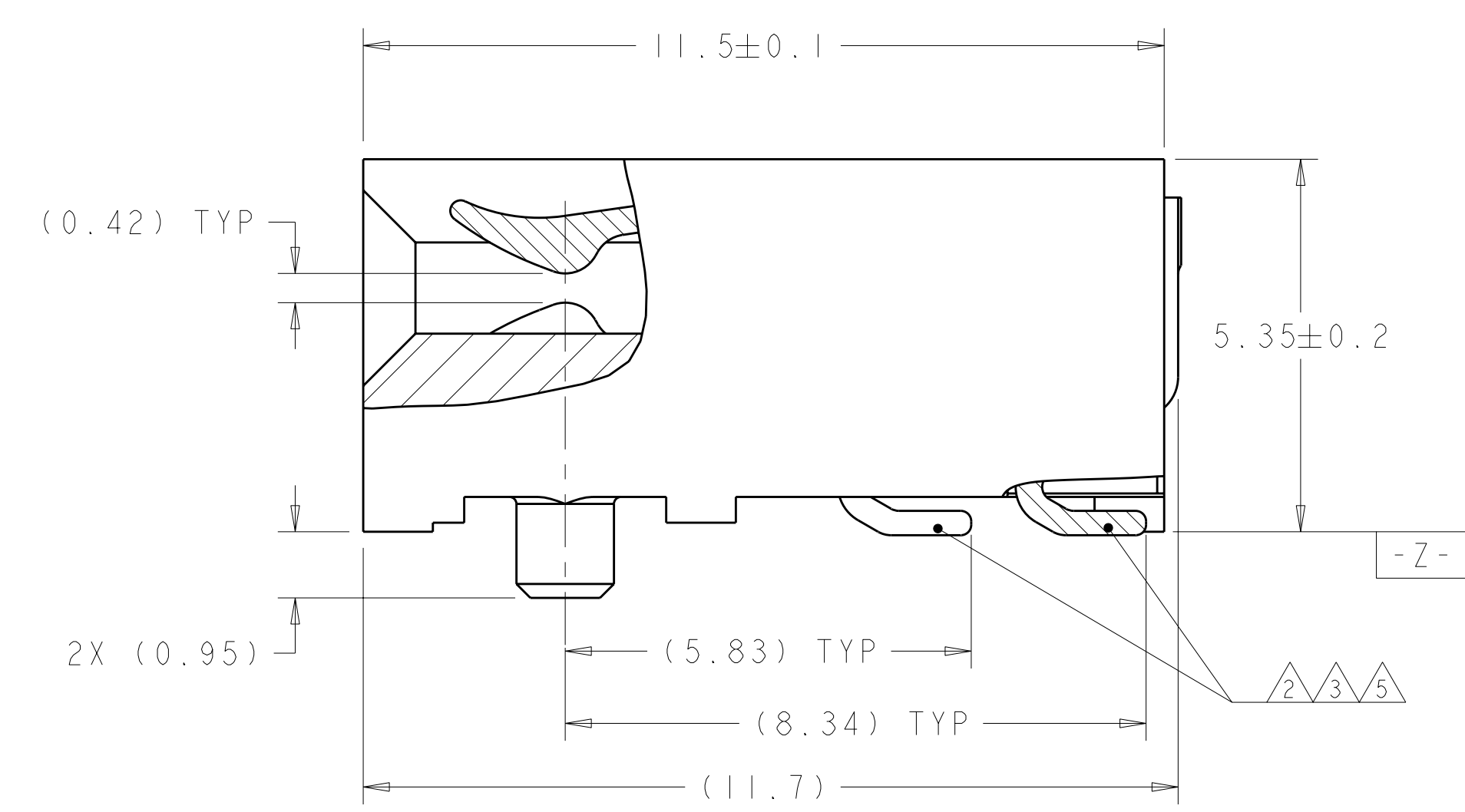
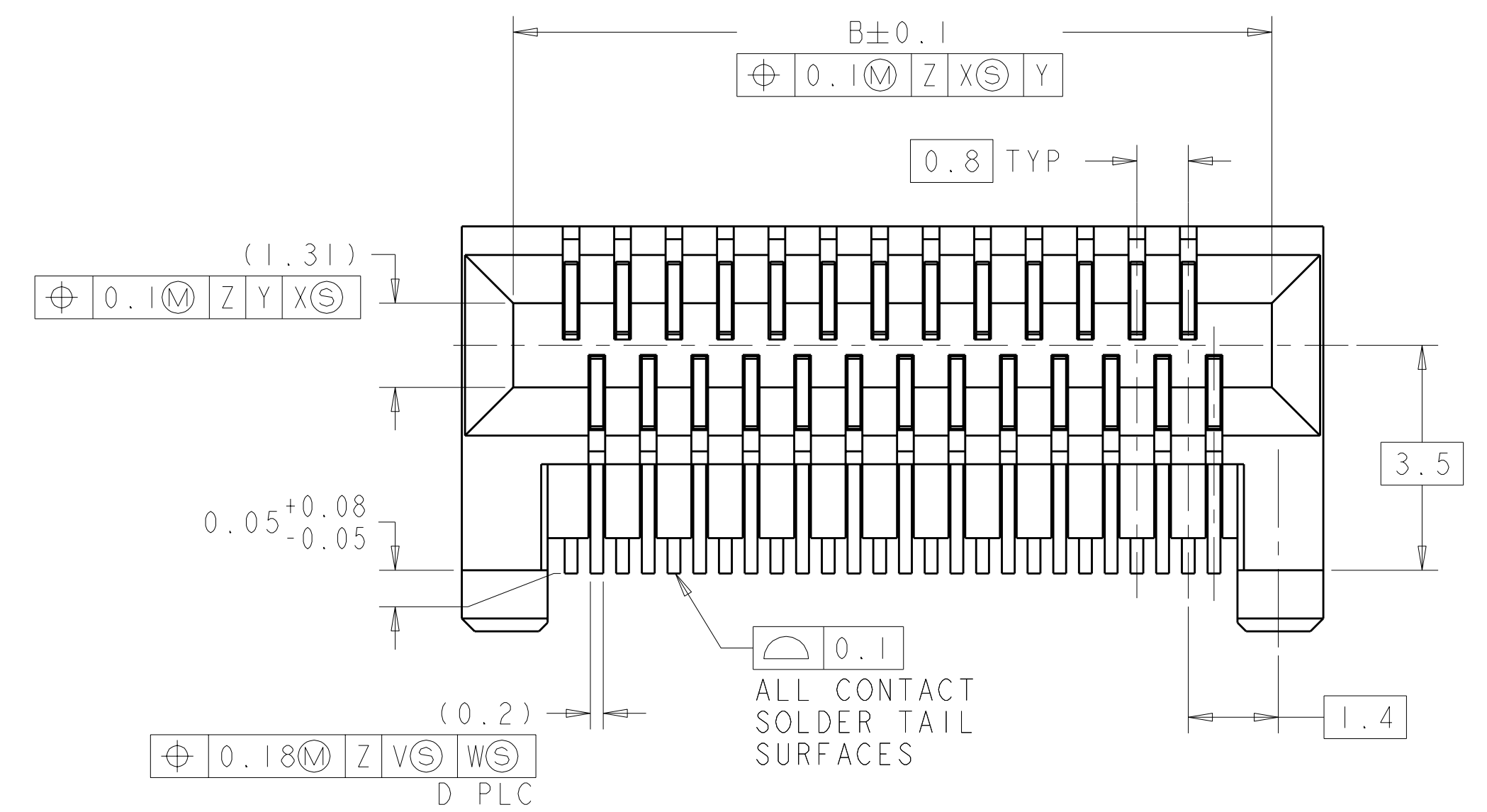


LOC	DIST	REV	DATE	BY	CHKD	APVD
GP	00	A2	11MAR2011	RK	HMR	



26 POSITION RECEPTACLE  
 SCALE 9:1

- △ MATERIAL: LCP, BLACK.
- △ MATERIAL: PHOSPHOR BRONZE PER ASTM B 103.
- △ FINISH: 0.76µm MIN GOLD PLATE PER ASTM B 488, APPLIES TO INTERFACE AREA AND 2.03µm MIN TIN PLATE SOLDER TAILS, ALL OVER 3.81µm MIN NICKEL PLATE PER QQ-N-290.
- △ DATUM AND BASIC DIMENSION ESTABLISHED BY CUSTOMER.
- △ FINISH: 0.38µm MIN GOLD PLATE PER ASTM B 488, APPLIES TO INTERFACE AREA AND 2.03µm MIN TIN PLATE SOLDER TAILS, ALL OVER 3.81µm MIN NICKEL PLATE PER QQ-N-290.



FINISH	PACKAGING	DIMENSIONS						PART NUMBER
		E	D	C	B	A	POSN	
△	TAPE AND REEL	16.80	38	8.40	16.60	18.10	38	1-1761987-8
		16.00	36	8.00	15.80	17.40	36	1-1761987-7
		12.00	26	6.00	11.80	13.40	26	1-1761987-6
	TUBE	28.80	68	14.80	28.60	30.20	68	1-1761987-5
		16.80	38	8.40	16.60	18.10	38	1-1761987-4
		23.20	54	11.60	23.00	24.60	54	1-1761987-3
△	TAPE AND REEL	21.60	50	10.80	21.40	23.00	50	1-1761987-2
		16.00	36	8.00	15.80	17.40	36	1-1761987-1
		12.00	26	6.00	11.80	13.40	26	1-1761987-0
	TUBE	16.80	38	8.40	16.60	18.10	38	1761987-9
		16.00	36	8.00	15.80	17.40	36	1761987-8
		12.00	26	6.00	11.80	13.40	26	1761987-7
TUBE	28.80	68	14.80	28.60	30.20	68	1761987-6	
	16.80	38	8.40	16.60	18.10	38	1761987-5	
	23.20	54	11.60	23.00	24.60	54	1761987-4	
TUBE	21.60	50	10.80	21.40	23.00	50	1761987-3	
	16.00	36	8.00	15.80	17.40	36	1761987-2	
	12.00	26	6.00	11.80	13.40	26	1761987-1	

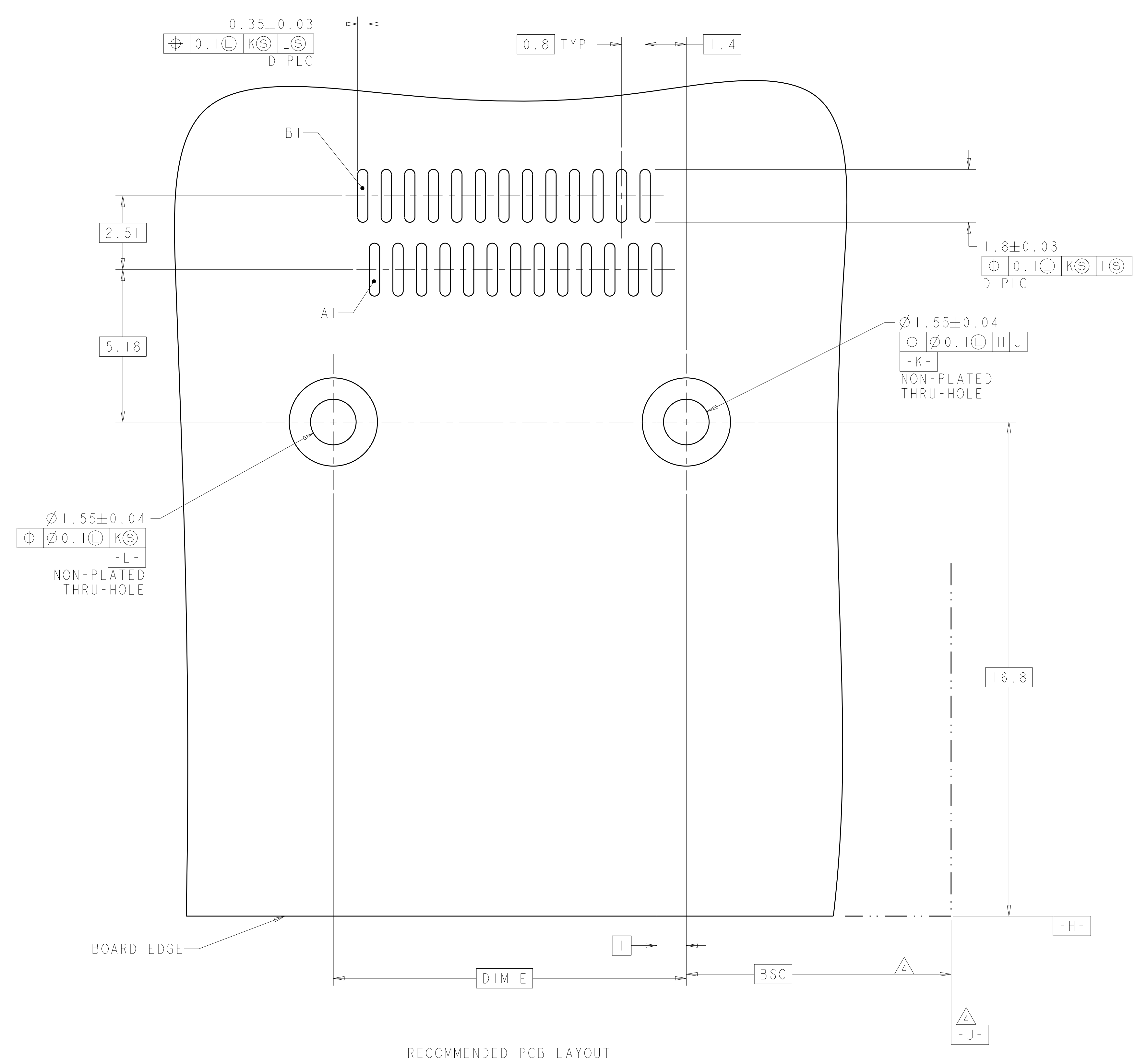
THIS DRAWING IS A CONTROLLED DOCUMENT. DIMENSIONS: mm. TOLERANCES UNLESS OTHERWISE SPECIFIED: 9 PLC ±, 1 PLC ±, 5 PLC ±, 4 PLC ±, ANGLES ±. MATERIAL: SEE NOTES. FINISH: SEE TABLE.

DATE: 28 JUN 2005. CHKD: M. E. CONNER, R. R. HENRY. APVD: P. R. HENRY. NAME: EVERCLEAR Mini-SAS RECEPTACLE CONNECTOR ASSEMBLY, RIGHT ANGLE, SURFACE MOUNT. PRODUCT SPEC: 108-2234. APPLICATION SPEC: -.

SIZE: A100779. CAGE CODE: C=1761987. SCALE: 12:1. SHEET: 1 OF 2. REV: A2.

TE Connectivity

LOC	DIST	REVISIONS					
GP	00	P	LTB	DESCRIPTION	DATE	DWN	APVD
		-	-	SEE SHEET 1	-	-	-



RECOMMENDED PCB LAYOUT

THIS DRAWING IS A CONTROLLED DOCUMENT.		DWN M. E. COWHER 28JUN2005	TE Connectivity	
DIMENSIONS:		CHK R. R. HENRY 28JUN2005	NAME EVERCLEAR Mini-SAS RECEPTACLE CONNECTOR ASSEMBLY, RIGHT ANGLE, SURFACE MOUNT	
mm	TOLERANCES UNLESS OTHERWISE SPECIFIED:	APVD R. R. HENRY 28JUN2005	PRODUCT SPEC	
∅	0 PLC ±	PRODUCT SPEC	108-2234	
	1 PLC ±	APPLICATION SPEC	-	
	2 PLC ±	WEIGHT	-	
	3 PLC ±	CUSTOMER DRAWING	SCALE 12:1 SHEET 2 OF 2 REV A2	
	4 PLC ±			
	ANGLES ±			
MATERIAL	FINISH			