



Chipsmall Limited consists of a professional team with an average of over 10 year of expertise in the distribution of electronic components. Based in Hongkong, we have already established firm and mutual-benefit business relationships with customers from,Europe,America and south Asia,supplying obsolete and hard-to-find components to meet their specific needs.

With the principle of “Quality Parts,Customers Priority,Honest Operation,and Considerate Service”,our business mainly focus on the distribution of electronic components. Line cards we deal with include Microchip,ALPS,ROHM,Xilinx,Pulse,ON,Everlight and Freescale. Main products comprise IC,Modules,Potentiometer,IC Socket,Relay,Connector.Our parts cover such applications as commercial,industrial, and automotives areas.

We are looking forward to setting up business relationship with you and hope to provide you with the best service and solution. Let us make a better world for our industry!



Contact us

Tel: +86-755-8981 8866 Fax: +86-755-8427 6832

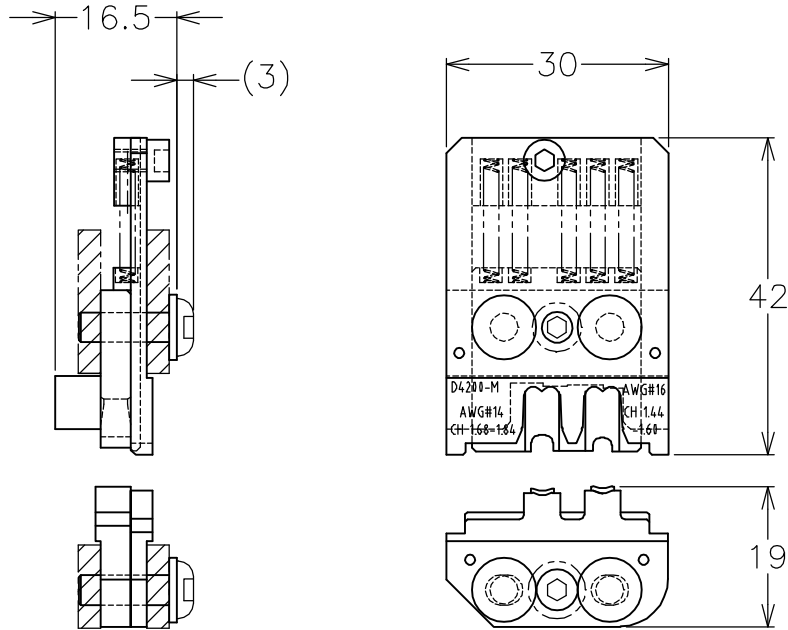
Email & Skype: info@chipsmall.com Web: www.chipsmall.com

Address: A1208, Overseas Decoration Building, #122 Zhenhua RD., Futian, Shenzhen, China



LOC J	DIST —	REVISIONS 変更					
		P	LTR	DESCRIPTION	DATE	DWN	APVD
			A	RELEASED	17MAR06	S.N	S.Y

-1: AS SHOWN



THIS DRAWING IS UNPUBLISHED.


RELEASED FOR PUBLICATION

ALL RIGHTS RESERVED.

BY TYCO ELECTRONICS CORPORATION.

© COPYRIGHT

TERMINAL No.	WIRE SIZE AWG#	INS. RANGE (mm)	WIRE CRIMP HEIGHT (mm)	IS. No.
1747499	#16	φ2.0-φ3.2	1.44-1.60	411-78229
1747501	#14	φ2.80-φ3.75	1.68-1.84	

DIMENSIONS: 単位: 耗 mm	DWN	S.NAKA	17.MAR.2006	MATERIAL 材料	—	FINISH 仕上	—				
	CHK	S.NAKA	17.MAR.2006	 Tyco Electronics AMP K.K. Kawasaki, Japan							
TOLERANCES UNLESS OTHERWISE SPECIFIED: 一般公差	APVD	S.YABE	17.MAR.2006					NAME 名称 DIE ASSY			
	PRODUCT SPEC 製品規格	—		SIZE	A4	CAGE CODE	00779	DRAWING NO 番号	C-1762675	RESTRICTED TO	—
0 PLC ± -	APPLICATION SPEC 取付適用規格	114-5369		SCALE 尺度	1:1	SHEET	1	OF	1	REV	A
1 PLC ± -	WEIGHT	90 g		CUSTOMER DRAWING							
2 PLC ± -											
3 PLC ± -											
4 PLC ± -											
ANGLES ± -											

