



Chipsmall Limited consists of a professional team with an average of over 10 year of expertise in the distribution of electronic components. Based in Hongkong, we have already established firm and mutual-benefit business relationships with customers from,Europe,America and south Asia,supplying obsolete and hard-to-find components to meet their specific needs.

With the principle of "Quality Parts,Customers Priority,Honest Operation,and Considerate Service",our business mainly focus on the distribution of electronic components. Line cards we deal with include Microchip,ALPS,ROHM,Xilinx,Pulse,ON,Everlight and Freescale. Main products comprise IC,Modules,Potentiometer,IC Socket,Relay,Connector.Our parts cover such applications as commercial,industrial, and automotives areas.

We are looking forward to setting up business relationship with you and hope to provide you with the best service and solution. Let us make a better world for our industry!



## Contact us

Tel: +86-755-8981 8866 Fax: +86-755-8427 6832

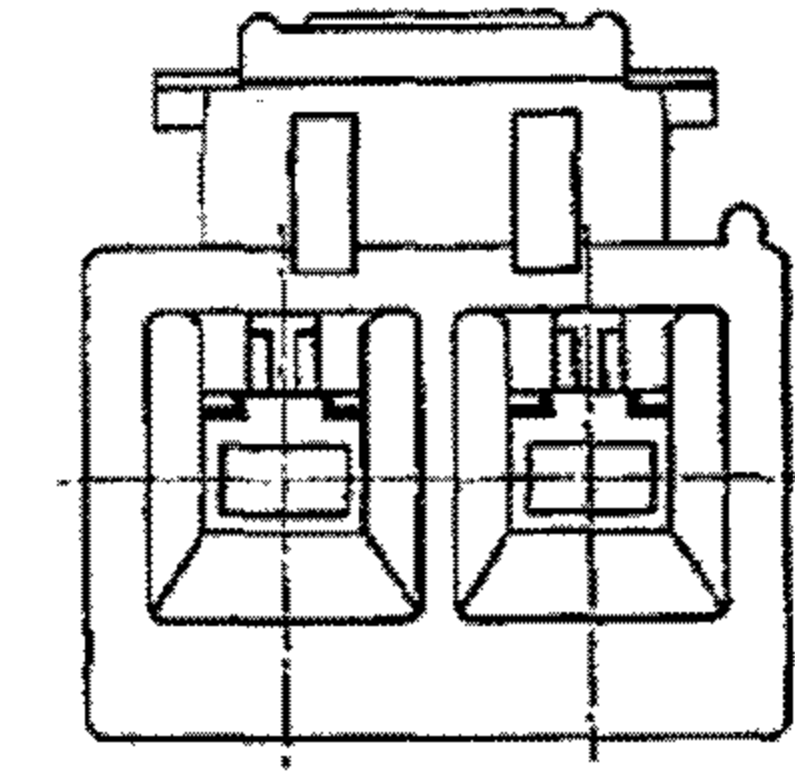
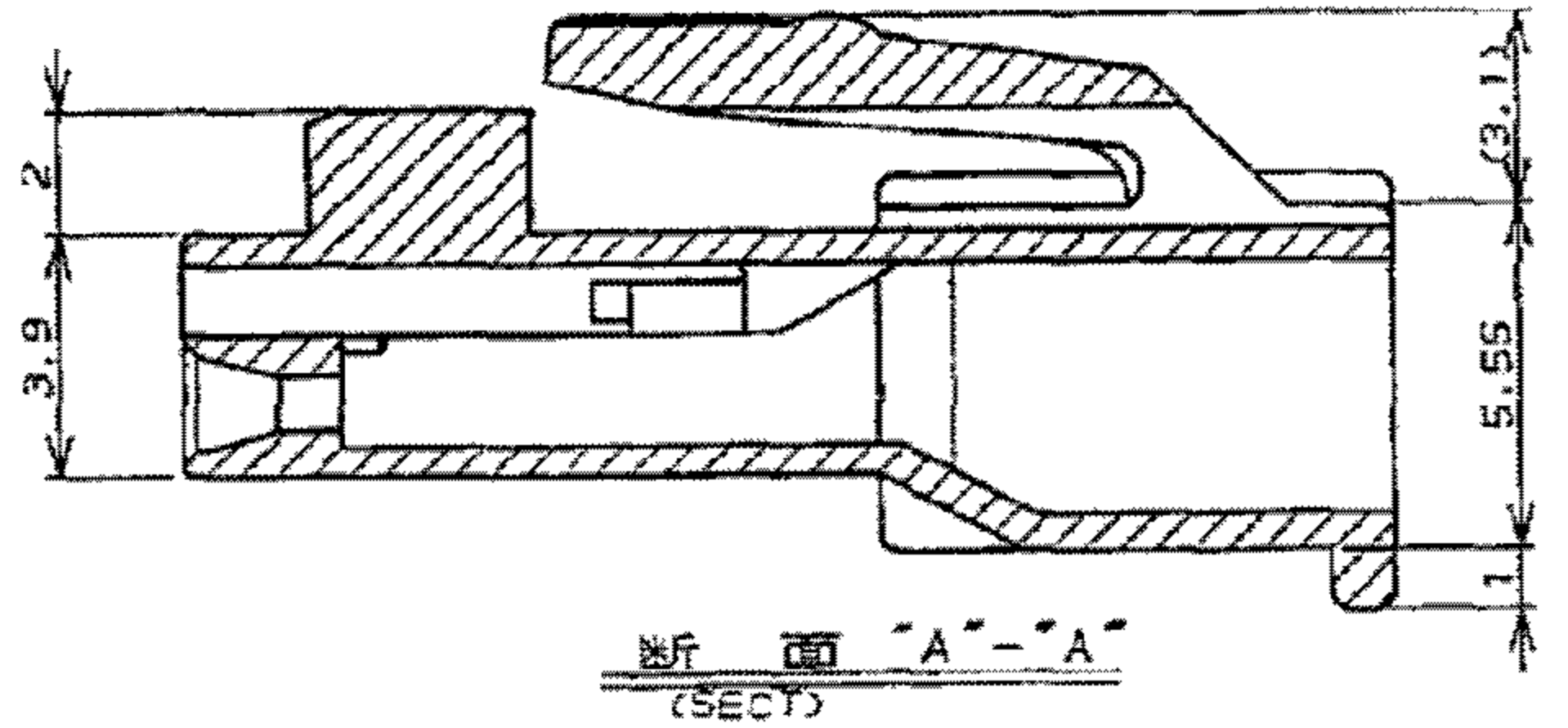
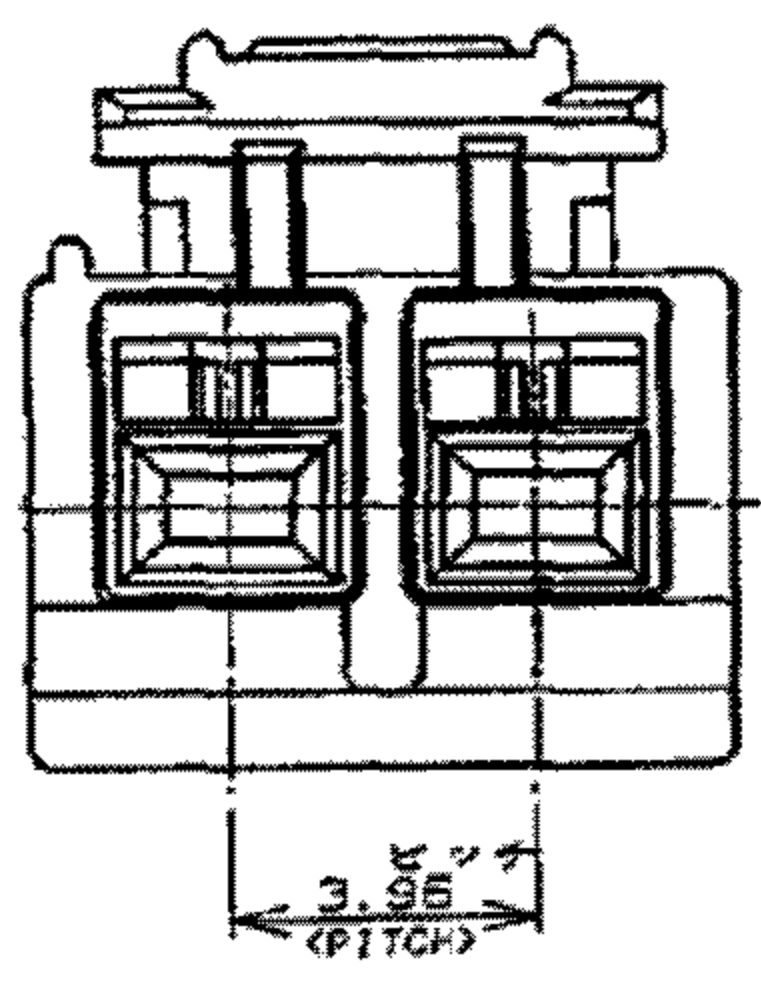
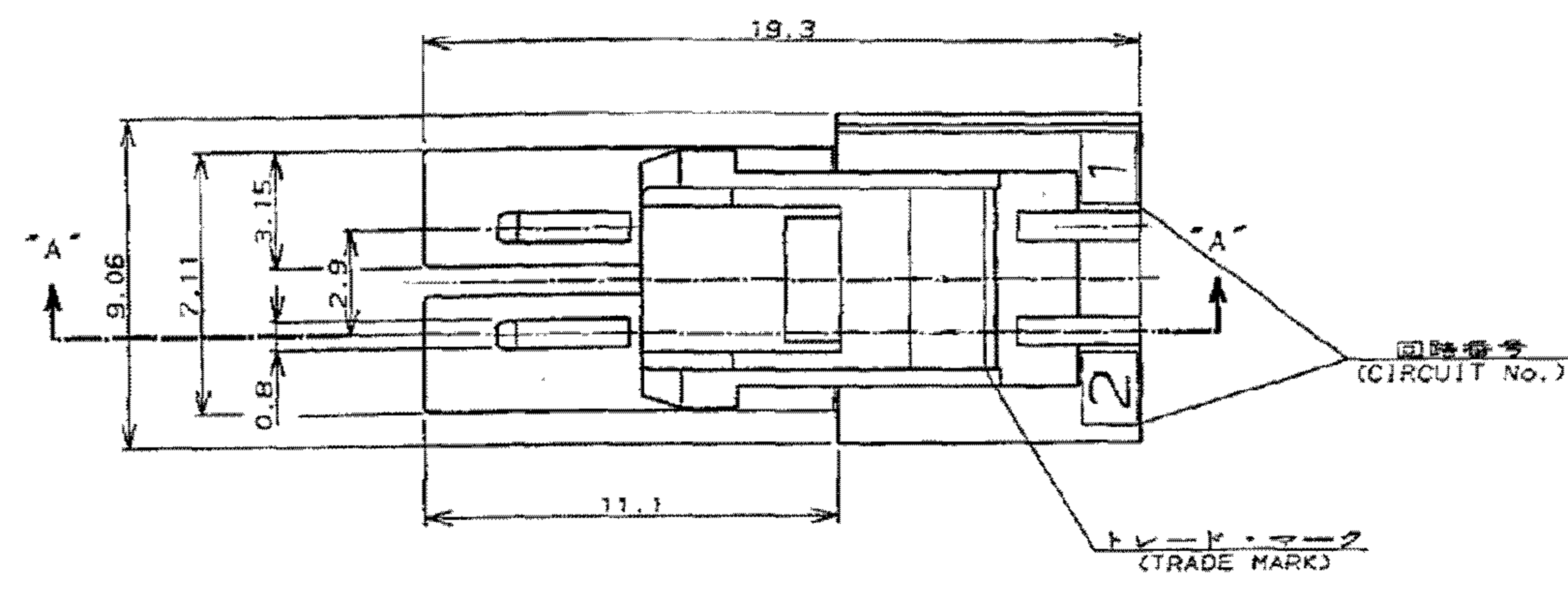
Email & Skype: info@chipsmall.com Web: www.chipsmall.com

Address: A1208, Overseas Decoration Building, #122 Zhenhua RD., Futian, Shenzhen, China



THIS DRAWING IS UNPUBLISHED. RELEASED FOR PUBLICATION  
 © COPYRIGHT ALL INTERNATIONAL RIGHTS RESERVED.

LOC	DIST	REVISIONS					
J	—	P	LTR	DESCRIPTION	DATE	DWN	APVD
		C2		REVISED PER ECR-12-022089	27DEC2012	A.Z	F.M



1-176282-1	130°C MAX	PA 6/6 ポリアミド 6/6	NATURAL 自然色	2	1-176271-1 <sup>△2</sup>	
176282-□ 176292-□	105°C MAX	PA 6/6 ポリアミド 6/6	BLACK 黒 BLUE 青 YELLOW 黄 RED 赤 NATURAL 自然色		176271-9 176271-6 176271-4 176271-2 176271-1	
MATING CONN. PART NUMBER 嵌合相手型番	TEMPERATURE RATING 定格温度	TYPE 種類	HOUSING COLOR 色		Pos. 極数	PART NUMBER 型番
MATERIAL 材料						

1. APPLICABLE CONTACT PART NUMBER;  
 REC CONTACT: 175152-□ (#20-#16AWG)  
 175151-□ (#26-#22AWG)  
<sup>△2</sup> TO BE USED WITH THE CONTACT WHICH IS RATED 105°C MAX
1. 適用端子型番;  
 リセコンタクト: 175152-□ (#20-#16AWG)  
 175151-□ (#26-#22AWG)  
<sup>△2</sup> 適用コンタクトの使用温度は最大105°C

THIS DRAWING IS A CONTROLLED DOCUMENT.

DIMENSIONS: mm	TOLERANCES UNLESS OTHERWISE SPECIFIED: $\leq 10$ ± 0.2 $10 < \leq 30$ ± 0.25 $30 <$ ± 0.3	DWN M.SHINDO 08NOV1989	
	ANGLES ± 3°	CHK Y.FUJITA 08NOV1989	
MATERIAL SEE TABLE	FINISH	APVD Y.FUJITA 08NOV1989	
		PRODUCT SPEC 108-5302	
		APPLICATION SPEC	NAME AMP UNIVERSAL POWER CONN. 3.96mm PITCH PLUG HOUSING 2 Pos. (SGL ROW) AMP ユニバーサルパワーコネクタ 2極 3.96mmピッチ キャップハウジング
		WEIGHT	SIZE A3
		CUSTOMER DRAWING	CAGE CODE 00779
			DRAWING NO C-176271
			RESTRICTED TO —
			SCALE NTS
			SHEET 1 OF 1
			REV C1