



Chipsmall Limited consists of a professional team with an average of over 10 year of expertise in the distribution of electronic components. Based in Hongkong, we have already established firm and mutual-benefit business relationships with customers from,Europe,America and south Asia,supplying obsolete and hard-to-find components to meet their specific needs.

With the principle of "Quality Parts,Customers Priority,Honest Operation,and Considerate Service",our business mainly focus on the distribution of electronic components. Line cards we deal with include Microchip,ALPS,ROHM,Xilinx,Pulse,ON,Everlight and Freescale. Main products comprise IC,Modules,Potentiometer,IC Socket,Relay,Connector.Our parts cover such applications as commercial,industrial, and automotives areas.

We are looking forward to setting up business relationship with you and hope to provide you with the best service and solution. Let us make a better world for our industry!



Contact us

Tel: +86-755-8981 8866 Fax: +86-755-8427 6832

Email & Skype: info@chipsmall.com Web: www.chipsmall.com

Address: A1208, Overseas Decoration Building, #122 Zhenhua RD., Futian, Shenzhen, China



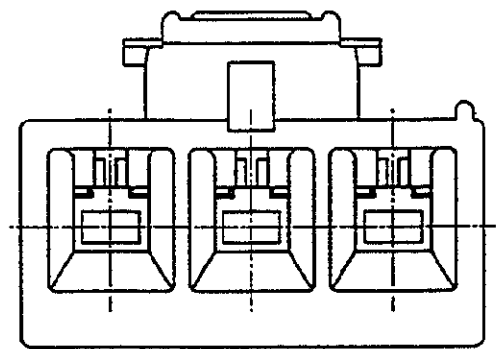
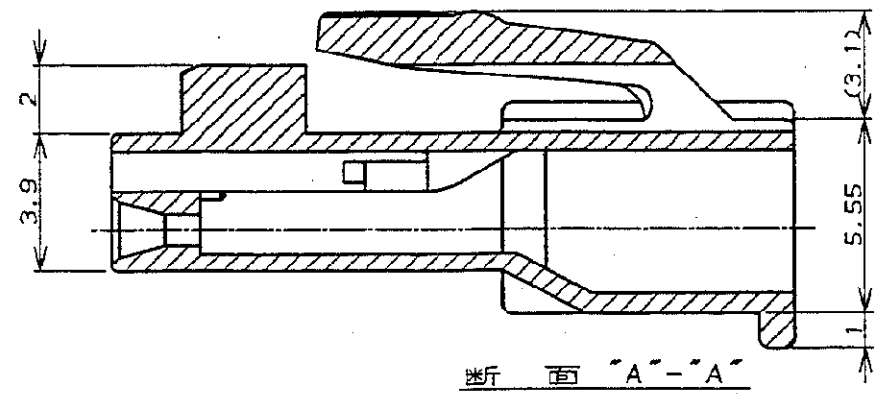
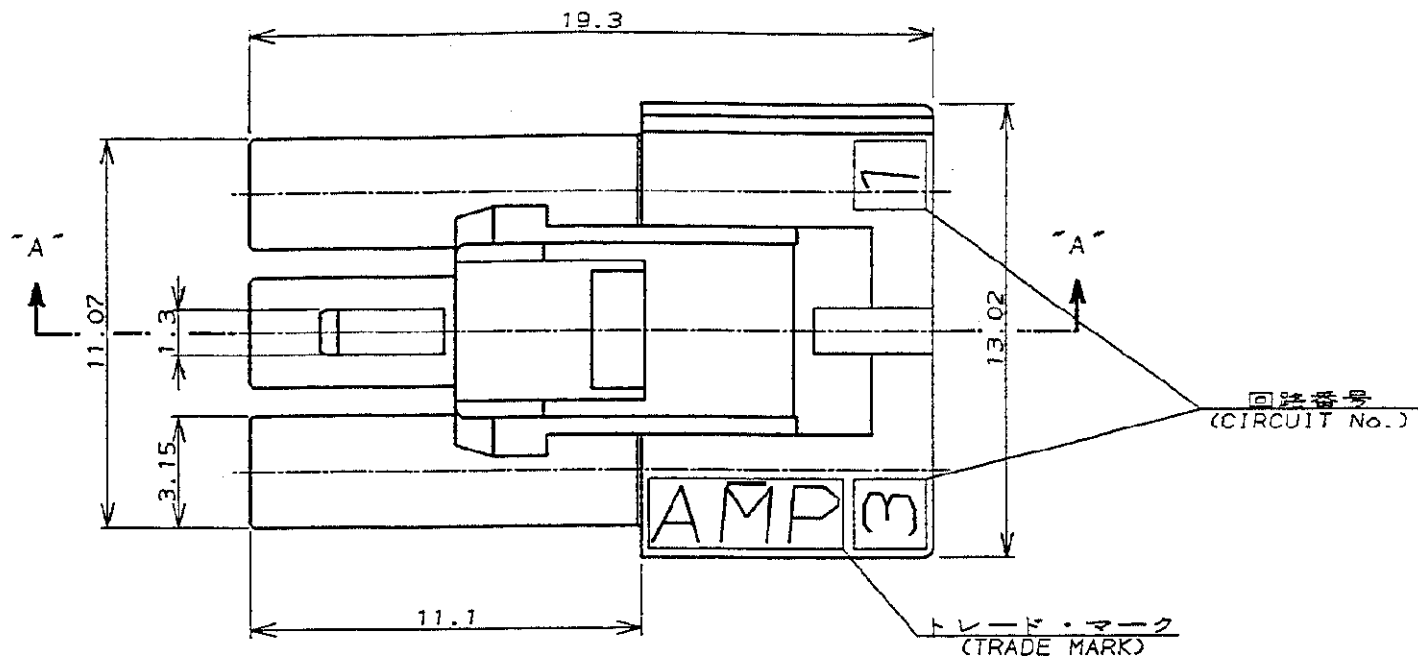
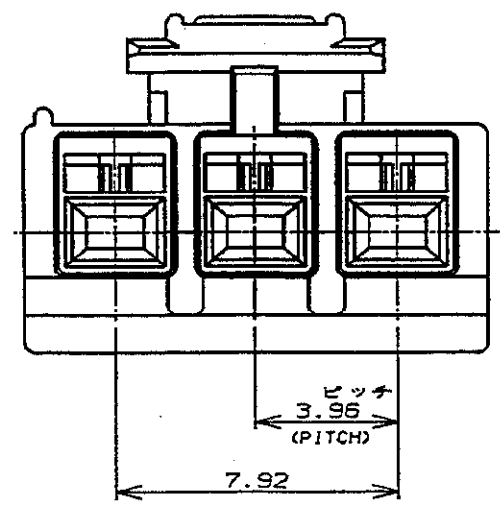
NUMBER C-176272



METRIC

単位: 概 DIMENSIONS IN MM. DO NOT SCALE PRINT

PRINT DIST



注:

- 適用製品規格: 108-5302
- 適用コンタクト型番
リセ・コンタクト: 175152-[(*)20-*16AWG]
175151-[(*)26-*22AWG]
- 嵌合相手側製品型番
キャップ・ハウジング: 176283-[(*)宙吊りタイプ]
176293-[(*)パネル取付タイプ]
タブ・コンタクト: 175150-[(*)20-*16AWG]
175149-[(*)26-*22AWG]
- 取扱説明書: IS-503J

NOTES:

- PRODUCT SPEC, :108-5302
- APPLICABLE CONTACT P/N
REC CONTACT: 175152-[(*)20-*16AWG]
175151-[(*)26-*22AWG]
- MATING CONN, P/N
CAP HSG: 176283-[(*)FREE HANGING]
176293-[(*)PANEL MOUNT]
TAB CONTACT: 175150-[(*)20-*16AWG]
175149-[(*)26-*22AWG]
- INSTRUCTION SHEET : IS-503J

黒 (BLACK)	3	176272-9
青 (BLUE)	↑	↑ -6
黄 (YELLOW)	↑	↑ -4
赤 (RED)	↓	↓ -2
自然色 (NATURAL)	3	176272-1
ハウジング色調 (HOUSING COLOR)	極数 (Pos.)	型番 (P/N)

				名称 (NAME) AMPユニバーサルパワーコネクタ 3極 3.96mmピッチ プラグハウジング (1列タイプ) AMP UNIVERSAL POWER CONN. 3.96mm PITCH PLUG HOUSING 3 Pos (SGL ROW)		
				一般公差 10mm以下: ±0.2 10mm以上 30mm以下: ±0.25 30mm以上 100mm以下: ±0.3 角: ±3°	SIZE LOC 番号 (No.) A3 J C-176272	REV. B1 SHEET 1 OF 1
包合電線断面積 (WIRE RANGE) mm ² (AWG -)	被覆外径 (INSULATION DIA.) mmφ	材料 (MATERIAL) 6/6 ナイロン (UL94V-0) 6/6 NYLON (UL94V-0)	仕上 (FINISH) ---	DR. 11/8 '89 M. SHINDO DE. 11/8 '89 M. SHINDO APP. Y. FUJITA 11/8 '89	B1 REVISED PER ECO-11-005294 LTR 変更 (REVISION RECORD)	RK HMR 08APR11 DR CHK DATE

(CUSTOMER DRAWING) 参 考 面