



Chipsmall Limited consists of a professional team with an average of over 10 year of expertise in the distribution of electronic components. Based in Hongkong, we have already established firm and mutual-benefit business relationships with customers from,Europe,America and south Asia,supplying obsolete and hard-to-find components to meet their specific needs.

With the principle of "Quality Parts,Customers Priority,Honest Operation,and Considerate Service",our business mainly focus on the distribution of electronic components. Line cards we deal with include Microchip,ALPS,ROHM,Xilinx,Pulse,ON,Everlight and Freescale. Main products comprise IC,Modules,Potentiometer,IC Socket,Relay,Connector.Our parts cover such applications as commercial,industrial, and automotives areas.

We are looking forward to setting up business relationship with you and hope to provide you with the best service and solution. Let us make a better world for our industry!



## Contact us

Tel: +86-755-8981 8866 Fax: +86-755-8427 6832

Email & Skype: info@chipsmall.com Web: www.chipsmall.com

Address: A1208, Overseas Decoration Building, #122 Zhenhua RD., Futian, Shenzhen, China



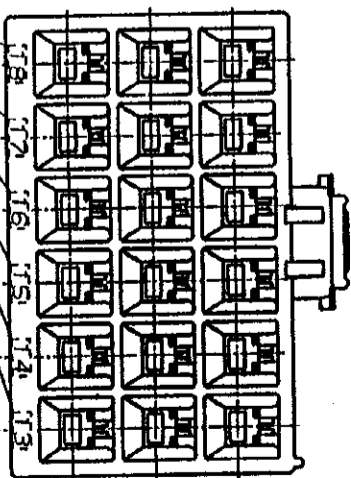
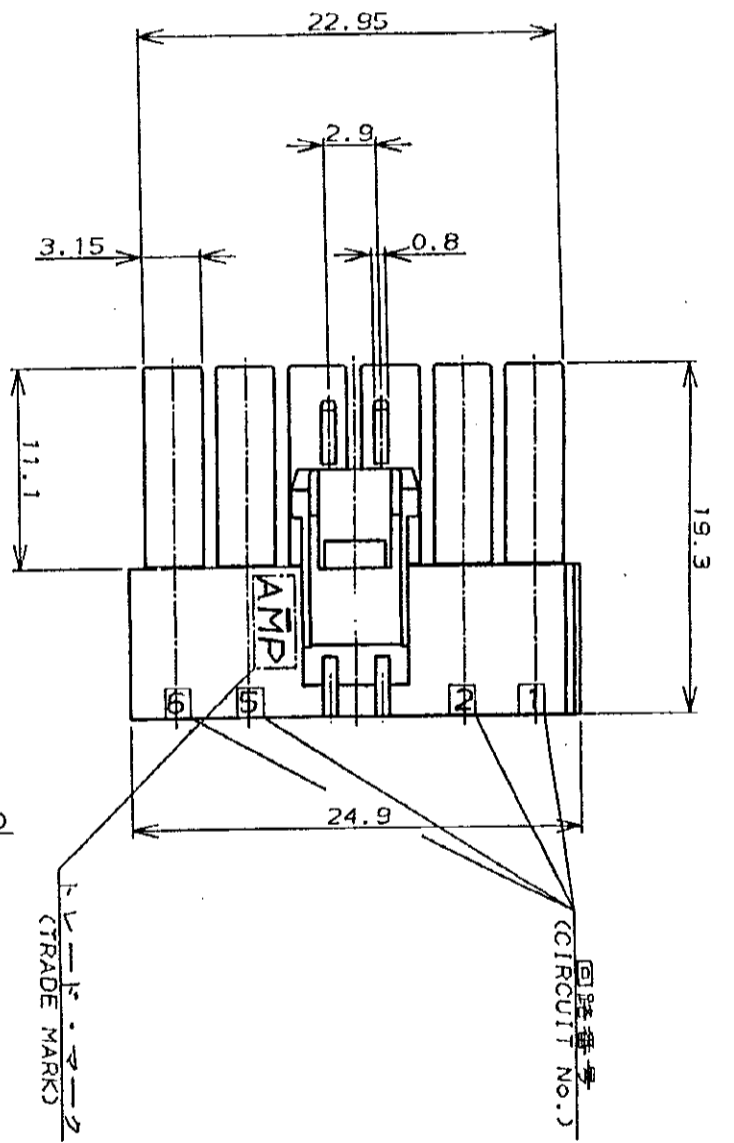
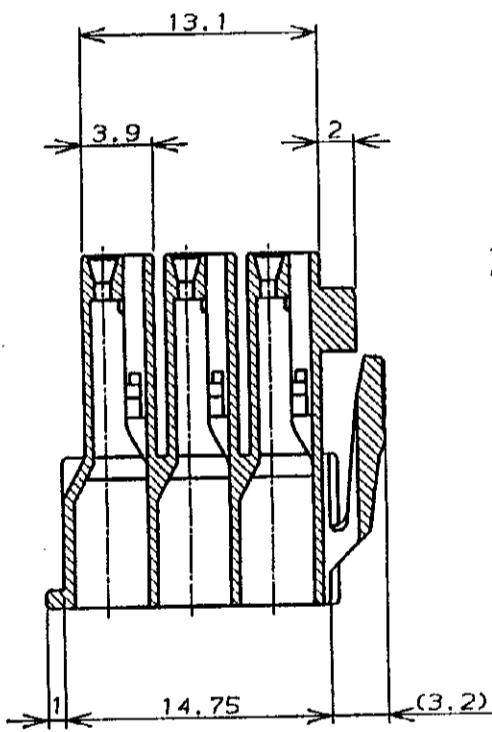
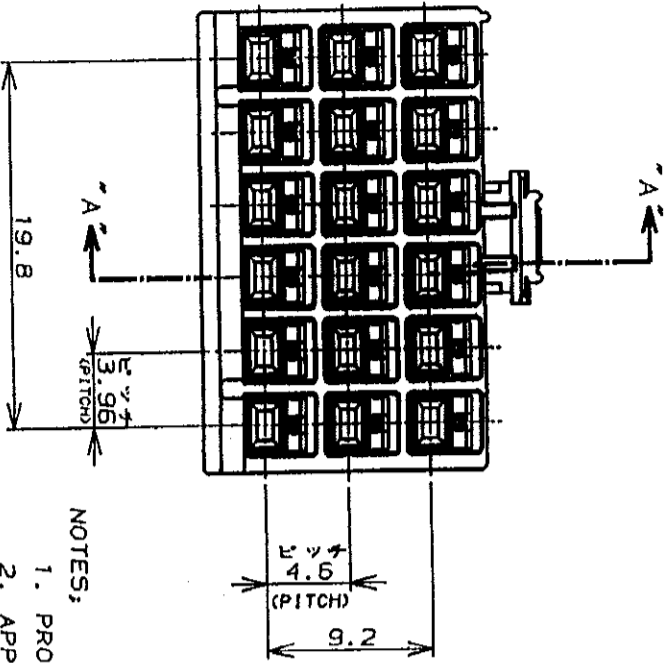
単位: ㎜ DIMENSIONS IN MM. DO NOT SCALE PRINT

PRINT DIST

AMP-J  
REV. 10/89

- 注:
1. 通用製品規格: 108-5302
  2. 通用コネクタ型番  
リセ・コネクタ: 175152-11(20-16AWG)  
175151-11(26-22AWG)
  3. 嵌合相手側製品型番  
キヤット・ハウジング: 176291-11(吊りタイプ)  
176301-11(パネル取付タイプ)  
タブ・コネクタ: 175150-11(20-16AWG)  
175149-11(26-22AWG)
  4. 取扱説明書: IS-503J

- NOTES:
1. PRODUCT SPEC.: 108-5302
  2. APPLICABLE CONTACT P/N  
REC CONTACT: 175152-11(20-16AWG)  
175151-11(26-22AWG)
  3. MATING CONN. P/N  
CAP HSG: 176291-11(FREE HANGING)  
176301-11(PANEL MOUNT)  
TAB CONTACT: 175150-11(20-16AWG)  
175149-11(26-22AWG)
  4. INSTRUCTION SHEET: IS-503J



黒 (BLACK)	18	176280-9
青 (BLUE)	1	-6
黄 (YELLOW)	1	-4
赤 (RED)	1	-2
自然色 (NATURAL)	18	176280-1
ハウジング色調 (HOUSING COLOR)	複数 (Pos.)	型番 (P/N)

LTR	変更 (REVISION RECORD)	DR	CHK	DATE	Y. FUJITA	11/23 '89	APP	N. ONOUE	11/23 '89
B	改	ET	FJ00-0006-93	M.S	材料 (MATERIAL)	UL94V-0			
A	改	ET	J-0154	M.S	UL94V-0				
O	作	成	J-12204	M.S	Y.F				

**AMP**

AMP UNIVERSAL POWER CONN. 3.96mm PITCH PLUG HOUSING 18 POS (TYP. ROW)

名称 (NAME) AMPユニバーサル・パワー・コネクタ  
3.96mmピッチプラグハウジング (3列タイプ)  
AMP UNIVERSAL POWER CONN. 3.96mm PITCH PLUG HOUSING 18 POS (TYP. ROW)

寸法 (DIMENSIONS) 10.2  
10.25  
10.3

サイズ (SIZE) A3 J

REV. B SHEET 1 OF 1

(CUSTOMER DRAWING) 参考面