

Chipsmall Limited consists of a professional team with an average of over 10 year of expertise in the distribution of electronic components. Based in Hongkong, we have already established firm and mutual-benefit business relationships with customers from,Europe,America and south Asia,supplying obsolete and hard-to-find components to meet their specific needs.

With the principle of “Quality Parts,Customers Priority,Honest Operation,and Considerate Service”,our business mainly focus on the distribution of electronic components. Line cards we deal with include Microchip,ALPS,ROHM,Xilinx,Pulse,ON,Everlight and Freescale. Main products comprise IC,Modules,Potentiometer,IC Socket,Relay,Connector.Our parts cover such applications as commercial,industrial, and automotives areas.

We are looking forward to setting up business relationship with you and hope to provide you with the best service and solution. Let us make a better world for our industry!



## Contact us

Tel: +86-755-8981 8866 Fax: +86-755-8427 6832

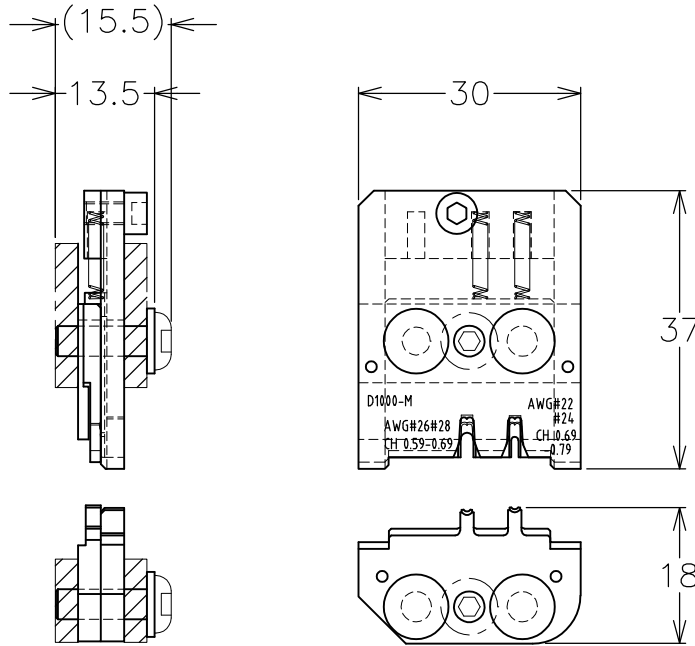
Email & Skype: info@chipsmall.com Web: www.chipsmall.com

Address: A1208, Overseas Decoration Building, #122 Zhenhua RD., Futian, Shenzhen, China

REVISIONS

P	LTR	DESCRIPTION	DATE	DWN	APVD
	C	ECR-16-009644	05JUL2016	S.N	J.K

-1 ONLY




RELEASED FOR PUBLICATION

ALL RIGHTS RESERVED.

Copyright - Tyco Electronics Japan C.K.

THIS DRAWING IS UNPUBLISHED.

TERMINAL No.	WIRE SIZE AWG#	INS. RANGE (mm)	TERMINAL CH (mm)		IS. No.
			WIRE	INS.	
1827587-2 1871743-1	#22,#24	ø1.2-ø1.6	0.69-0.79	2.10 REF	411-78201
1903116-2 1903124-1	#26,#28	ø1.08-ø1.4	0.59-0.69	1.95 REF	

DIMENSIONS: ??? ? mm	DWN S.NAKA	11.JUL.2005	MATERIAL ??	FINISH ??	-
	CHK S.NAKA	11.JUL.2005	 TE Connectivity		
TOLERANCES UNLESS OTHERWISE SPECIFIED: ????	APVD S.YABE	11.JUL.2005			
0 PLC ± - 1 PLC ± - 2 PLC ± - 3 PLC ± - 4 PLC ± - ANGLES ± -	PRODUCT SPEC ????	-	NAME ?? DIE ASSY		
	APPLICATION SPEC ??????	114-5377	SIZE A4	CAGE CODE 00779	DRAWING NO ?? C-1762847
	WEIGHT 90g	RESTRICTED TO -			
CUSTOMER DRAWING			SCALE ??	1:1	SHEET 1 OF 1 REV C