



Chipsmall Limited consists of a professional team with an average of over 10 year of expertise in the distribution of electronic components. Based in Hongkong, we have already established firm and mutual-benefit business relationships with customers from,Europe,America and south Asia,supplying obsolete and hard-to-find components to meet their specific needs.

With the principle of “Quality Parts,Customers Priority,Honest Operation,and Considerate Service”,our business mainly focus on the distribution of electronic components. Line cards we deal with include Microchip,ALPS,ROHM,Xilinx,Pulse,ON,Everlight and Freescale. Main products comprise IC,Modules,Potentiometer,IC Socket,Relay,Connector.Our parts cover such applications as commercial,industrial, and automotives areas.

We are looking forward to setting up business relationship with you and hope to provide you with the best service and solution. Let us make a better world for our industry!



Contact us

Tel: +86-755-8981 8866 Fax: +86-755-8427 6832

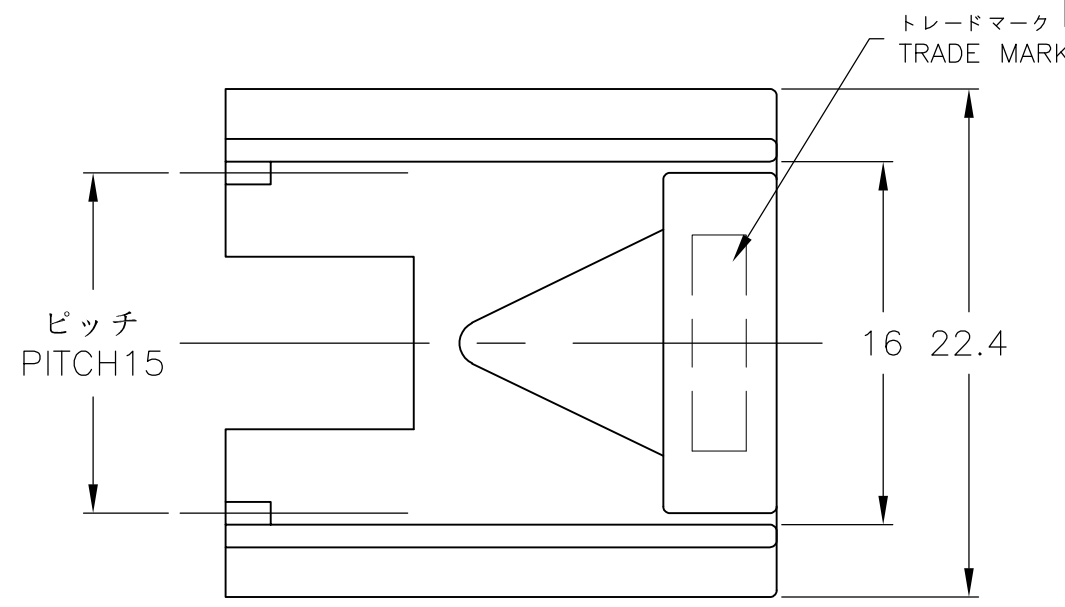
Email & Skype: info@chipsmall.com Web: www.chipsmall.com

Address: A1208, Overseas Decoration Building, #122 Zhenhua RD., Futian, Shenzhen, China

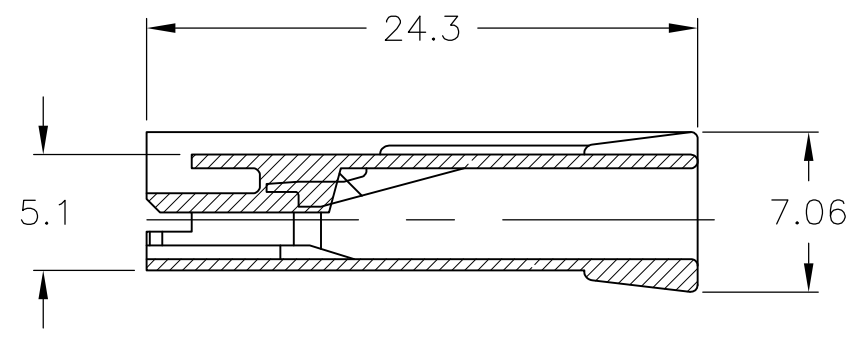
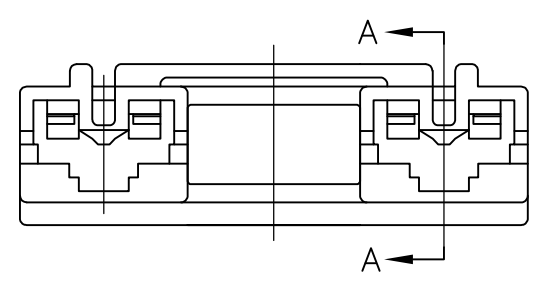


THIS DRAWING IS UNPUBLISHED. RELEASED FOR PUBLICATION
 © COPYRIGHT - By - ALL RIGHTS RESERVED.

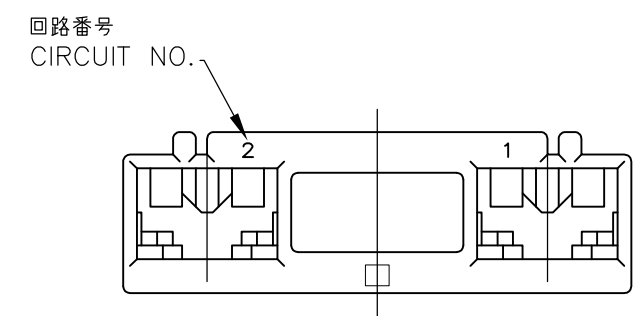
LOC	DIST	REVISIONS					
J	/	P	LTR	DESCRIPTION	DATE	DWN	APVD
		A1	REVISED	PER ECR-15-001853	10FEB'15	H.G	T.D



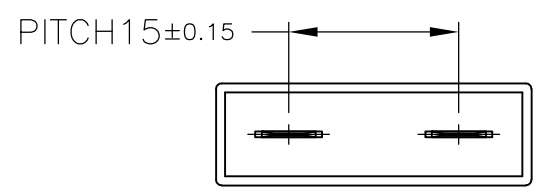
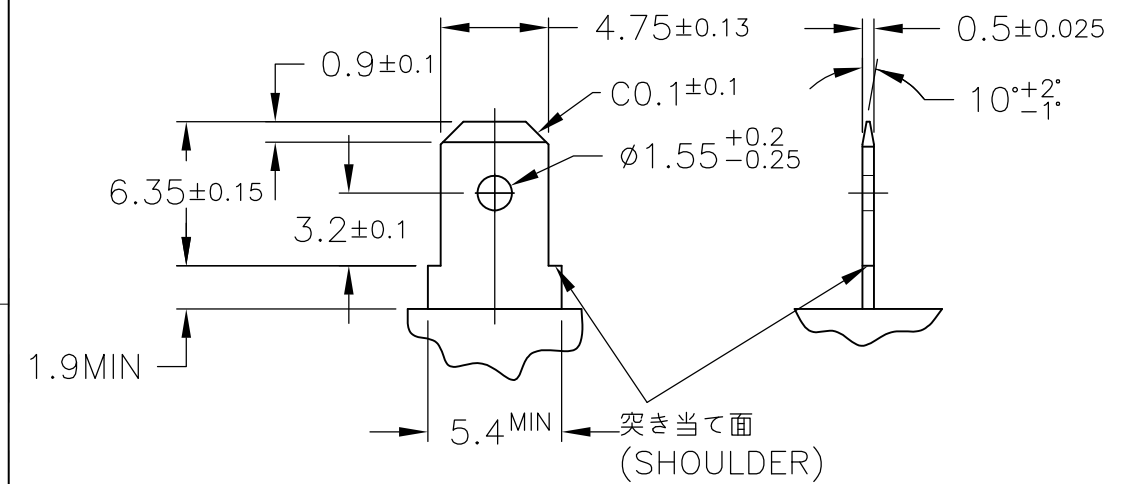
NOTES
 1. APPLICABLE CONTACT PART NUMBER : 170324-X, 170325-X, 170326-X
 △ BLUE PARTS MAY APPEAR MEDIUM BLUE TO LIGHT BLUE TO LIGHT GRAY IN COLOR AND MAY ALSO EXHIBIT A MARBLING EFFECT



断面 A-A



タブ推奨図
 RECOMMENDED TAB



66NYLON (UL94V-0)	△ BLUE	1-176498-6
66NYLON (UL94V-2)	黄色 (YELLOW)	3-176498-4
66NYLON (UL94V-0)	青色 (BLUE)	176498-6
	黄色 (YELLOW)	176498-4
	黒色 (BLACK)	176498-2
	自然色 (NATURAL)	176498-1
材料 (MATERIAL)	色調 (COLOR)	型番 (PART NUMBER)

THIS DRAWING IS A CONTROLLED DOCUMENT.		DWN J.SATO 07SEP2007	STE TE Connectivity	
DIMENSIONS: 単位: 耗 mm		CHK S.MANABE 07SEP2007		
TOLERANCES UNLESS OTHERWISE SPECIFIED: 一般公差		APVD S.MANABE 07SEP2007	NAME 名称	
0 PLC ±		PRODUCT SPEC	187 SERIES POSITIVE LOCK MK-II	
1 PLC 10以下 ± 0.2		製品規格	2P REC HSG	
20 30以下 ± 0.25		108-5126	SIZE	CAGE CODE
30 100以下 ± 0.3		APPLICATION SPEC	A3	00779
4 PLC ANGLES ± 3'		取付適用規格	DRAWING NO	RESTRICTED TO
MATERIAL 材料 SEE TABLE		FINISH 仕上	番号	番号
		WEIGHT	C-176498	
		CUSTOMER DRAWING	SCALE 尺度 3:1	SHEET 1 OF 1
			REV A1	