



Chipsmall Limited consists of a professional team with an average of over 10 year of expertise in the distribution of electronic components. Based in Hongkong, we have already established firm and mutual-benefit business relationships with customers from,Europe,America and south Asia,supplying obsolete and hard-to-find components to meet their specific needs.

With the principle of “Quality Parts,Customers Priority,Honest Operation,and Considerate Service”,our business mainly focus on the distribution of electronic components. Line cards we deal with include Microchip,ALPS,ROHM,Xilinx,Pulse,ON,Everlight and Freescale. Main products comprise IC,Modules,Potentiometer,IC Socket,Relay,Connector.Our parts cover such applications as commercial,industrial, and automotives areas.

We are looking forward to setting up business relationship with you and hope to provide you with the best service and solution. Let us make a better world for our industry!



## Contact us

Tel: +86-755-8981 8866 Fax: +86-755-8427 6832

Email & Skype: info@chipsmall.com Web: www.chipsmall.com

Address: A1208, Overseas Decoration Building, #122 Zhenhua RD., Futian, Shenzhen, China

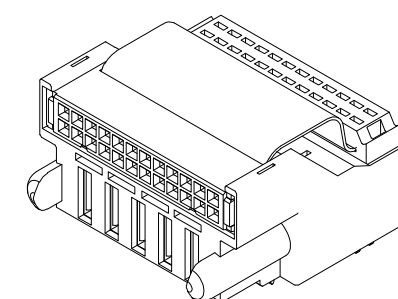
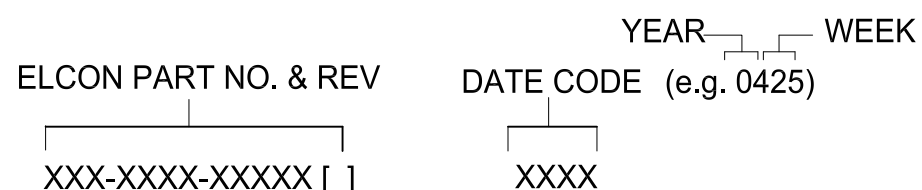


THIS DRAWING IS UNPUBLISHED. RELEASED FOR PUBLICATION  
 © COPYRIGHT - By - ALL RIGHTS RESERVED.

LOC	DIST	REVISIONS					
GP	00	P	LTR	DESCRIPTION	DATE	DWN	APVD
		F		REV PER ECO-11-020831	12SEPT2011	RG	MS

**NOTES: UNLESS OTHERWISE SPECIFIED**

- PART NUMBER CHANGES AND OR DESIGN CHANGES AFFECTING ITEM INTERCHANGEABILITY REQUIRE PRIOR ELCON APPROVAL AND AUTHORIZATION BY REVISION TO THIS DRAWING.
- MATERIALS:  
 INSULATORS: THERMOPLASTIC, GLASS REINFORCED, COLOR-BLACK  
 UL94V-0 FLAMMABILITY RATED  
 CONTACTS: COPPER ALLOY
- FINISHES:  
 CONTACT PLATING: SELECTIVELY GOLD PLATE PER MIL-G-45204 OVER NICKEL PER QQ-N-290  
 PCB TERMINATION: TIN PLATE, MATTE FINISH, .000120" TO .000170" THICKNESS.  
 RIBBON CABLE CONNECTOR: LEAD FREE
- A REFERENCE DIMENSION (.XXX) IS WITHOUT TOLERANCE AND USED FOR INFORMATION PURPOSES ONLY.
- ITEMS PROVIDED TO THIS SPECIFICATION TO BE PERMANENTLY IDENTIFIED PER THE FOLLOWING IDENTIFIER:

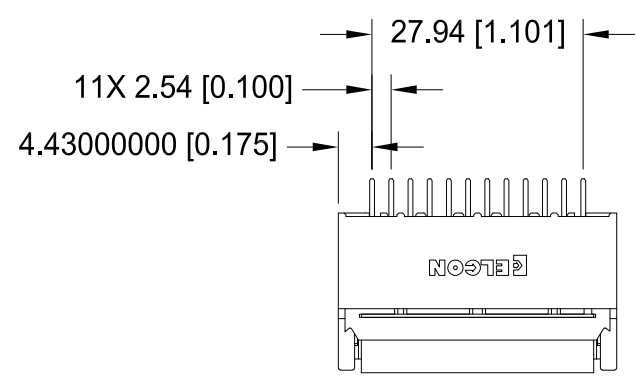


- SEE DRAWING C-1766056 FOR MATING PIN CONNECTOR 377-0084-11110.
- MACHINED PART 373-0084-00900 WILL BE REPLACED BY MOLDED PART 373-0084-11130 WHEN TOOLING BECOMES AVAILABLE.
- REFERENCE TYCO PART NUMBER 1766057-1 (ELCON PN 373-0084-11130).

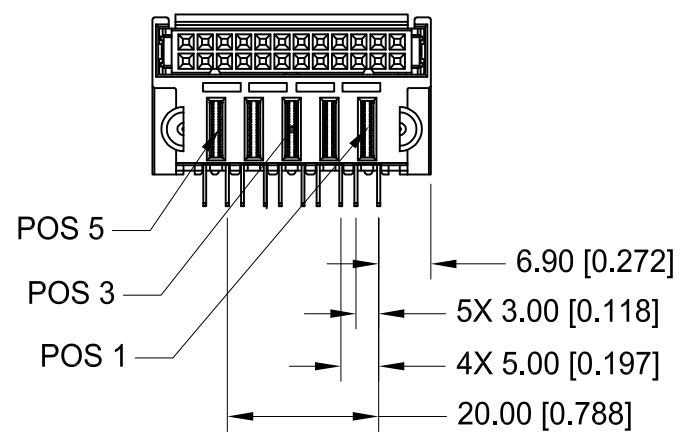
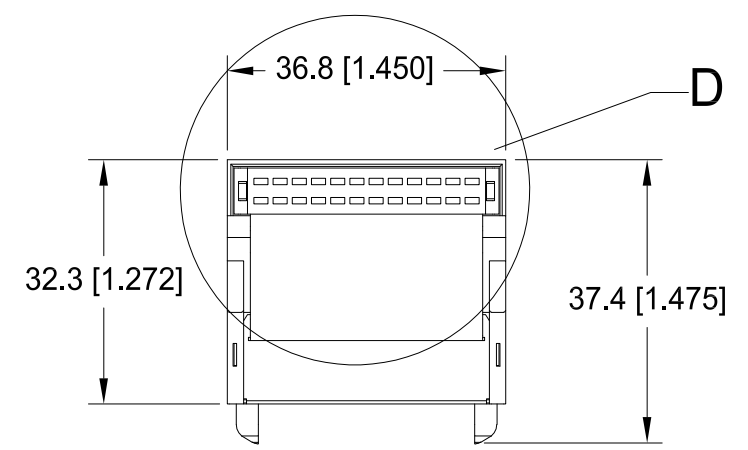
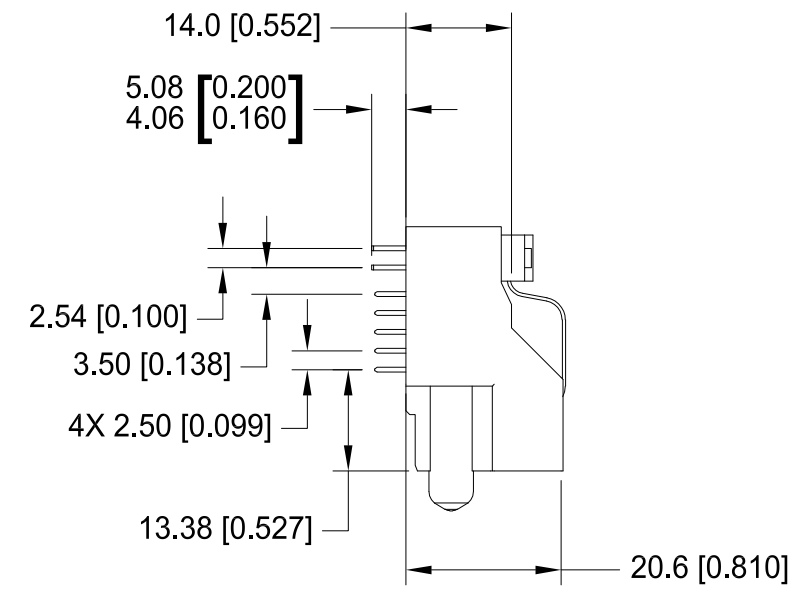
THIS DRAWING IS A CONTROLLED DOCUMENT.		DWN S.WAN 01/15/04	<b>STE</b> TE Connectivity	
DIMENSIONS: mm		CHK -		
TOLERANCES UNLESS OTHERWISE SPECIFIED:		APVD D.CHAU 09/28/04	NAME SOCKET CONNECTOR, MINIPAK, RIGHT ANGLE	
0 PLC ± -		PRODUCT SPEC -	STND SLDR, LEAD FREE PN: 373-0084-11130E (MOLDED)	
1 PLC ± 0.5		APPLICATION SPEC -	PN: 373-0084-00900E (MACHINED)	
2 PLC ± 0.25		WEIGHT -	SIZE A3	CAGE CODE 00779
3 PLC ± -		MATERIAL -	DRAWING NO C-1766057	
4 PLC ± -			RESTRICTED TO -	
ANGLES ± -		CUSTOMER DRAWING		SCALE 1:1
FINISH -		SHEET 1 OF 3		REV F

THIS DRAWING IS UNPUBLISHED. RELEASED FOR PUBLICATION  
 © COPYRIGHT - By - ALL RIGHTS RESERVED.

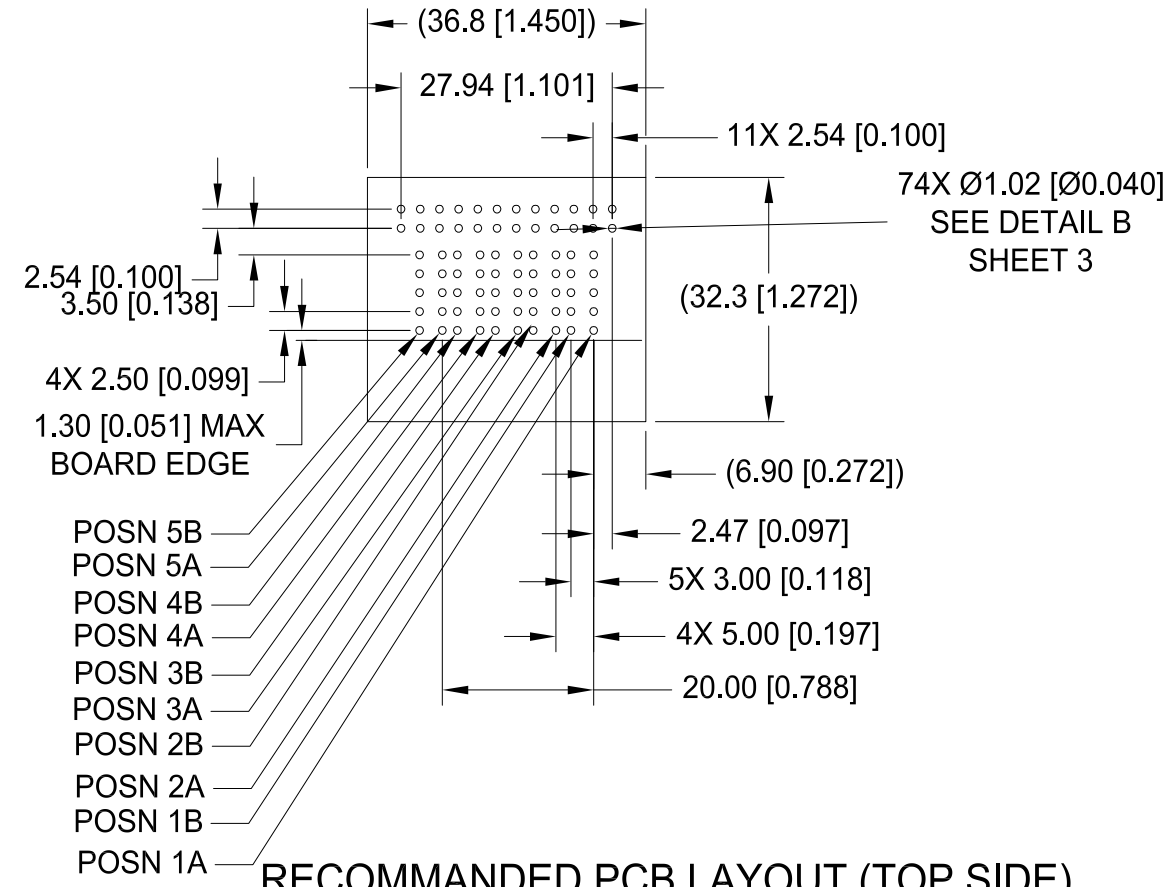
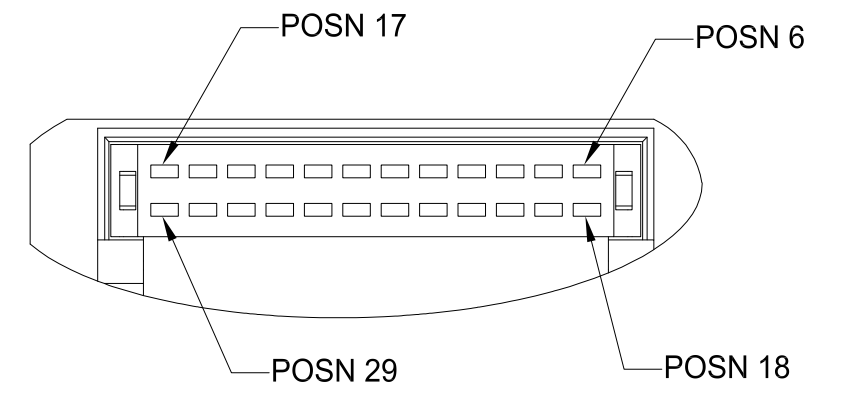
LOC	DIST	REVISIONS					
GP	00	P	LTR	DESCRIPTION	DATE	DWN	APVD
		-		SEE SHEET 1	-	-	-



ON NOTE 3: CHANGED ALL PCB TERMINATION TO LEAD FREE TIN PLATE, MATTE FINISH, .000120" TO .000170" CHANGED ELCON PN: 373-0084-11130, WAS 373-0084-01130



REDESIGN CONNECTOR TO MATCH WITH 377-0084-01110C CHANGED CUD TO C-1766057, PREVIOUSLY 997-084-2



- 7 MACHINED PART 373-0084-00900 WILL BE REPLACED BY MOLDED PART 373-0084-11130 WHEN TOOLING BECOMES AVAILABLE.
- 8. REFERENCE TYCO PART NUMBER 1766057-1 (ELCON PN 373-0084-11130).

THIS DRAWING IS A CONTROLLED DOCUMENT.		DWN	S.WAN	01/15/04	TE Connectivity		
DIMENSIONS: mm		CHK	-	-			
TOLERANCES UNLESS OTHERWISE SPECIFIED:		APVD	D.CHAU	09/28/04	NAME		
0 PLC ± -		PRODUCT SPEC		SOCKET CONNECTOR, MINIPAK, RIGHT ANGLE			
1 PLC ± 0.5		APPLICATION SPEC		STND SLDR, LEAD FREE PN: 373-0084-11130E (MOLDED)			
2 PLC ± 0.25		WEIGHT		A3 00779		DRAWING NO	
3 PLC ± -		CUSTOMER DRAWING		C-1766057		RESTRICTED TO	
4 PLC ± -		SCALE		1:1		SHEET	
ANGLES ± -		SHEET		2 OF 3		REV	
FINISH		REV		F			

THIS DRAWING IS UNPUBLISHED.

RELEASED FOR PUBLICATION

---

© COPYRIGHT - By -

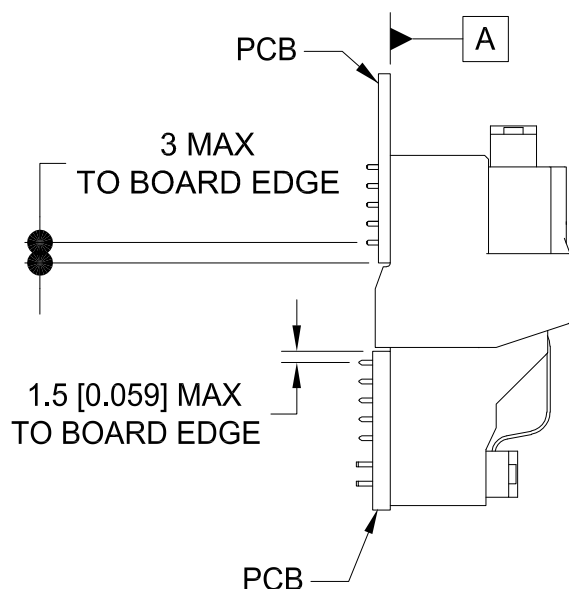
ALL RIGHTS RESERVED.

LOC GP DIST 00

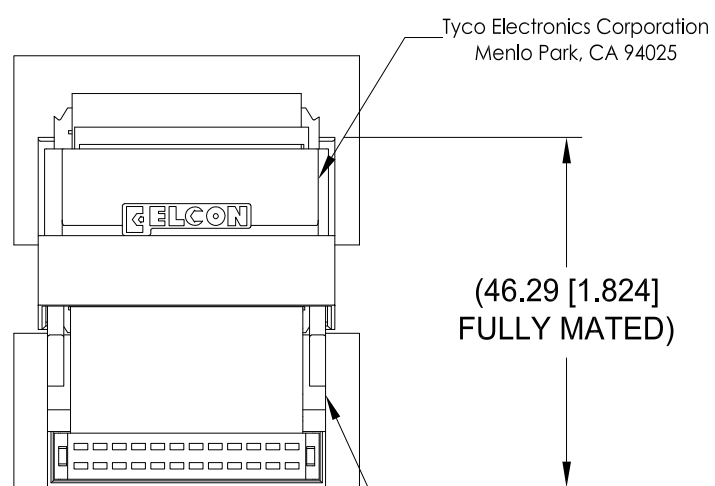
REVISIONS

P	LTR	DESCRIPTION	DATE	DWN	APVD
-	-	SEE SHEET 1	-	-	-

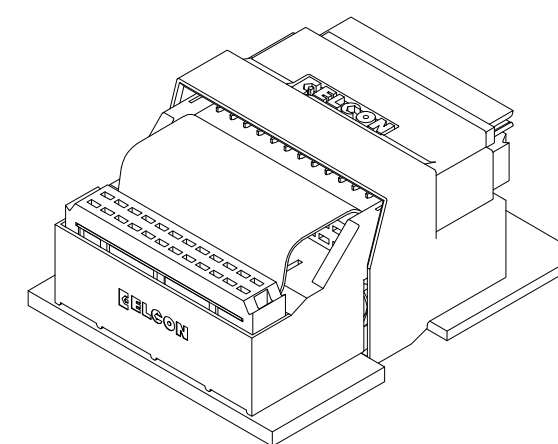
ON NOTE 3: CHANGED ALL PCB TERMINATION TO  
LEAD FREE TIN PLATE, MATTE FINISH, .000120" TO .000170"  
CHANGED ELCON PN: 373-0084-11130, WAS 373-0084-01130



MATED CONDITION




REDESIGN CONNECTOR TO MATCH WITH 377-0084-01110C  
CHANGED CUD TO C-1766057, PREVIOUSLY 997-084-2



**DETAIL B  
SOLDER TERMINATION AREA**

RECOMMENDED PRINTED CIRCUIT HOLE  
FINISHED HOLE:  $\varnothing 1.02 [0.040] \pm 0.08 [0.003]$   
DRILLED HOLE:  $\varnothing 1.15 [0.0453] \pm 0.015 [0.0005]$   
COPPER PLATE: 0.025 [0.0010] MINIMUM (PER SURFACE)  
TIN PLATE: 0.008 [0.0003] MINIMUM (PER SURFACE)

THIS DRAWING IS A CONTROLLED DOCUMENT.		DWN S.WAN 01/15/04	 TE Connectivity														
DIMENSIONS: mm		CHK -				NAME											
TOLERANCES UNLESS OTHERWISE SPECIFIED:		APVD D.CHAU 09/28/04	SOCKET CONNECTOR, MINIPAK, RIGHT ANGLE														
<table border="0"> <tr><td>0 PLC</td><td>± -</td></tr> <tr><td>1 PLC</td><td>± 0.5</td></tr> <tr><td>2 PLC</td><td>± 0.25</td></tr> <tr><td>3 PLC</td><td>± -</td></tr> <tr><td>4 PLC</td><td>± -</td></tr> <tr><td>ANGLES</td><td>± -</td></tr> </table>		0 PLC	± -	1 PLC	± 0.5	2 PLC	± 0.25	3 PLC	± -	4 PLC	± -	ANGLES	± -	PRODUCT SPEC -	STND SLDR, LEAD FREE PN: 373-0084-11130E (MOLDED)		
0 PLC	± -																
1 PLC	± 0.5																
2 PLC	± 0.25																
3 PLC	± -																
4 PLC	± -																
ANGLES	± -																
MATERIAL -		APPLICATION SPEC -	PN: 373-0084-00900E (MACHINED)														
FINISH -		WEIGHT -	SIZE A3	CAGE CODE 00779	DRAWING NO C-1766057	RESTRICTED TO -											
CUSTOMER DRAWING			SCALE 1:1	SHEET 3 OF 3	REV F												