



Chipsmall Limited consists of a professional team with an average of over 10 year of expertise in the distribution of electronic components. Based in Hongkong, we have already established firm and mutual-benefit business relationships with customers from,Europe,America and south Asia,supplying obsolete and hard-to-find components to meet their specific needs.

With the principle of “Quality Parts,Customers Priority,Honest Operation,and Considerate Service”,our business mainly focus on the distribution of electronic components. Line cards we deal with include Microchip,ALPS,ROHM,Xilinx,Pulse,ON,Everlight and Freescale. Main products comprise IC,Modules,Potentiometer,IC Socket,Relay,Connector.Our parts cover such applications as commercial,industrial, and automotives areas.

We are looking forward to setting up business relationship with you and hope to provide you with the best service and solution. Let us make a better world for our industry!



Contact us

Tel: +86-755-8981 8866 Fax: +86-755-8427 6832

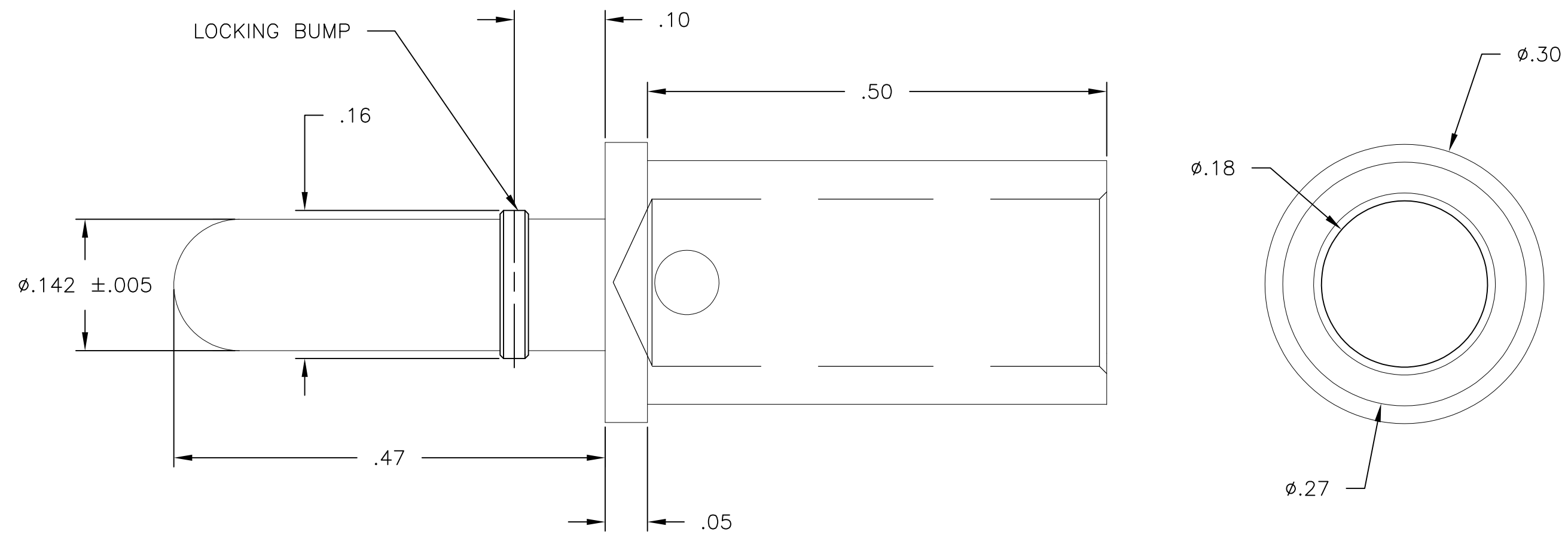
Email & Skype: info@chipsmall.com Web: www.chipsmall.com

Address: A1208, Overseas Decoration Building, #122 Zhenhua RD., Futian, Shenzhen, China



THIS DRAWING IS UNPUBLISHED. RELEASED FOR PUBLICATION
 © COPYRIGHT - By - ALL RIGHTS RESERVED.

LOC GP	DIST 00	REVISIONS			
P	LTR	DESCRIPTION	DATE	DWN	APVD
	C	REV PER ECO-11-007264	14APR2011	RG	DO



4. FINISH: SILVER PLATE .00200 MIN THK. OVER NICKEL .000040 MIN THK.
3. MATERIAL: COPPER ALLOY
2. ITEMS PROVIDED TO THIS SPECIFICATION SHALL BE IDENTIFIED ON CONTAINER WITH THE FOLLOWING INFORMATION PART NUMBER AND DATE CODE OF MANUFACTURE.
1. PART NUMBER CHANGES AND/OR DESIGN CHANGES AFFECTING ITEM INTERCHANGEABILITY REQUIRE PRIOR TYCO APPROVAL AND AUTHORIZATION BY REVISION TO THIS DRAWING.

1766160-1
PART NUMBER

THIS DRAWING IS A CONTROLLED DOCUMENT.		DWN LOVATO/GRZYBOWSKI 10JAN2011	TE Connectivity															
DIMENSIONS: INCHES		CHK D.ORRIS 10JAN2011																
TOLERANCES UNLESS OTHERWISE SPECIFIED:		APVD D.ORRIS 10JAN2011	NAME CONTACT, ICCON LOCKING PIN SIZE No.8 WITH No.8 CRIMP BARREL															
<table border="0"> <tr> <td>0 PLC</td><td>± -</td></tr> <tr> <td>1 PLC</td><td>± -</td></tr> <tr> <td>2 PLC</td><td>± -</td></tr> <tr> <td>3 PLC</td><td>± .020</td></tr> <tr> <td>4 PLC</td><td>± -</td></tr> <tr> <td>ANGLES</td><td>± .5</td></tr> </table>		0 PLC	± -	1 PLC	± -	2 PLC	± -	3 PLC	± .020	4 PLC	± -	ANGLES	± .5	PRODUCT SPEC -	SIZE A3	CAGE CODE 00779	DRAWING NO C-1766160	RESTRICTED TO -
0 PLC	± -																	
1 PLC	± -																	
2 PLC	± -																	
3 PLC	± .020																	
4 PLC	± -																	
ANGLES	± .5																	
MATERIAL -		FINISH -	WEIGHT -		CUSTOMER DRAWING													
			SCALE 8:1	SHEET 1 OF 1	REV C													