



Chipsmall Limited consists of a professional team with an average of over 10 year of expertise in the distribution of electronic components. Based in Hongkong, we have already established firm and mutual-benefit business relationships with customers from,Europe,America and south Asia,supplying obsolete and hard-to-find components to meet their specific needs.

With the principle of “Quality Parts,Customers Priority,Honest Operation,and Considerate Service”,our business mainly focus on the distribution of electronic components. Line cards we deal with include Microchip,ALPS,ROHM,Xilinx,Pulse,ON,Everlight and Freescale. Main products comprise IC,Modules,Potentiometer,IC Socket,Relay,Connector.Our parts cover such applications as commercial,industrial, and automotives areas.

We are looking forward to setting up business relationship with you and hope to provide you with the best service and solution. Let us make a better world for our industry!



Contact us

Tel: +86-755-8981 8866 Fax: +86-755-8427 6832

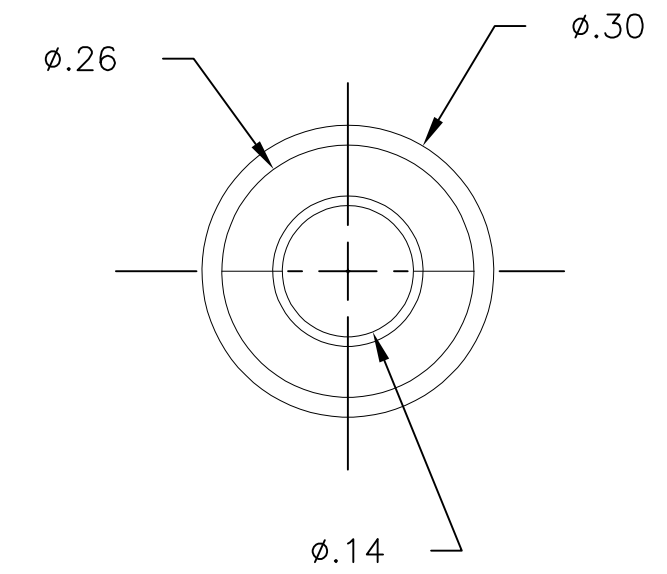
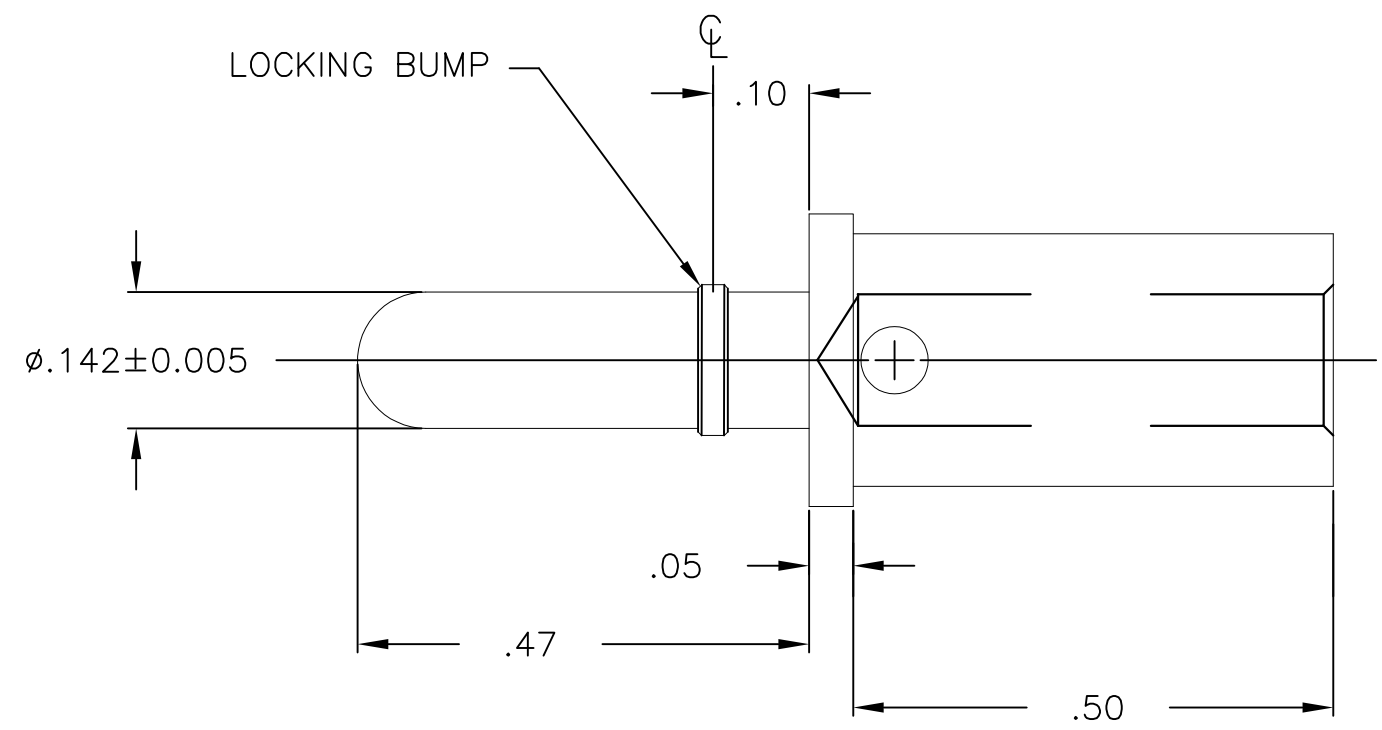
Email & Skype: info@chipsmall.com Web: www.chipsmall.com

Address: A1208, Overseas Decoration Building, #122 Zhenhua RD., Futian, Shenzhen, China



THIS DRAWING IS UNPUBLISHED. RELEASED FOR PUBLICATION
 © COPYRIGHT - By - ALL RIGHTS RESERVED.

LOC	DIST	REVISIONS					
GP	00	P	LTR	DESCRIPTION	DATE	DWN	APVD
			C	REV PER ECO-11-007264	14APR2011	RG	DO



5. TOOLING REQUIRED FOR CRIMP CONTACTS SIZE #8 & #10:
 CRIMP TOOL PART No. M22520/23-01
 CRIMP DIE ASSEMBLY PART No. M22520/23-02
 LOCATOR PART No. M22520/23-09
4. FINISH: SILVER PLATE .00200 MIN THK. OVER
 NICKEL .000040 MIN THK.
3. MATERIAL: COPPER ALLOY
2. ITEMS PROVIDED TO THIS SPECIFICATION TO BE IDENTIFIED
 ON THE CONTAINER WITH THE FOLLOWING INFORMATION:
 PART NUMBER AND DATE CODE OF MANUFACTURE.
1. PART NUMBER CHANGES AND/OR DESIGN CHANGES AFFECTING
 ITEM INTERCHANGEABILITY REQUIRE PRIOR ELCON APPROVAL
 AND AUTHORIZATION BY REVISION TO THIS DRAWING.

1766161-1
 PART NUMBER

THIS DRAWING IS A CONTROLLED DOCUMENT.		DWN	10JAN2011	TE Connectivity			
		LOVATO/GRZYBOWSKI	10JAN2011				
DIMENSIONS: INCHES		CHK	D.ORRIS	NAME			
		TOLERANCES UNLESS OTHERWISE SPECIFIED:		PIN CONTACT SIZE No.8			
		0 PLC ± - 1 PLC ± - 2 PLC ± - 3 PLC ± .020 4 PLC ± - ANGLES ± .5		SIZE No.10 CRIMP BARREL			
MATERIAL		APVD	D.ORRIS	LOCKING ICCON			
		PRODUCT SPEC		SIZE	CAGE CODE	DRAWING NO	RESTRICTED TO
		APPLICATION SPEC		A3	00779	C-1766161	-
		WEIGHT		CUSTOMER DRAWING			SCALE
							5:1
							SHEET
							1 OF 1
							REV
							C