



Chipsmall Limited consists of a professional team with an average of over 10 year of expertise in the distribution of electronic components. Based in Hongkong, we have already established firm and mutual-benefit business relationships with customers from,Europe,America and south Asia,supplying obsolete and hard-to-find components to meet their specific needs.

With the principle of “Quality Parts,Customers Priority,Honest Operation,and Considerate Service”,our business mainly focus on the distribution of electronic components. Line cards we deal with include Microchip,ALPS,ROHM,Xilinx,Pulse,ON,Everlight and Freescale. Main products comprise IC,Modules,Potentiometer,IC Socket,Relay,Connector.Our parts cover such applications as commercial,industrial, and automotives areas.

We are looking forward to setting up business relationship with you and hope to provide you with the best service and solution. Let us make a better world for our industry!



Contact us

Tel: +86-755-8981 8866 Fax: +86-755-8427 6832

Email & Skype: info@chipsmall.com Web: www.chipsmall.com

Address: A1208, Overseas Decoration Building, #122 Zhenhua RD., Futian, Shenzhen, China



4

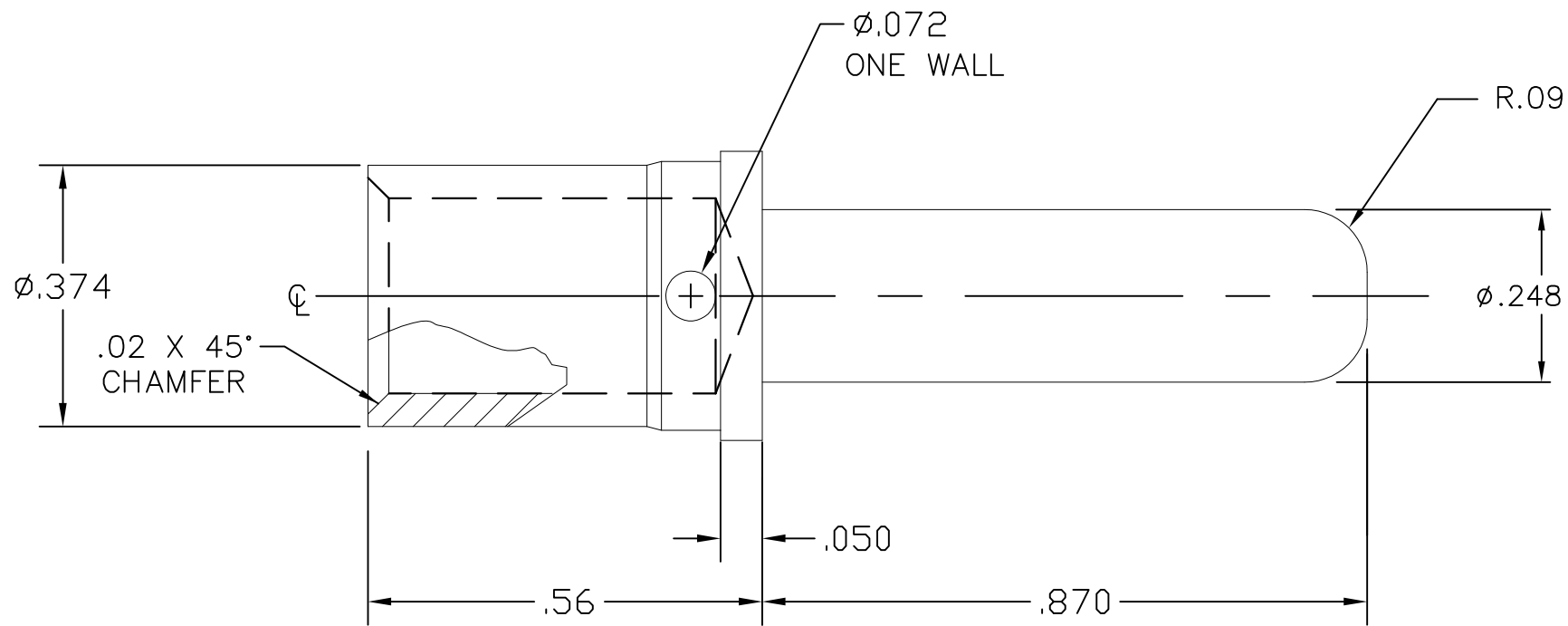
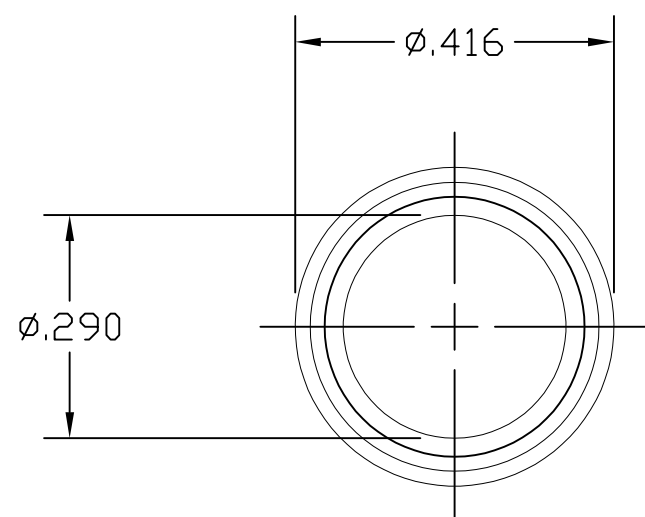
3

2

1

THIS DRAWING IS UNPUBLISHED. RELEASED FOR PUBLICATION
 © COPYRIGHT BY TYCO ELECTRONICS CORPORATION. ALL RIGHTS RESERVED.

LOC	DIST	REVISIONS					
GP	00	P	LTR	DESCRIPTION	DATE	DWN	APVD
			A	NEW RELEASE	20APR07	RG	SF



1. PART NUMBER CHANGES AND/OR DESIGN CHANGES AFFECTING ITEM INTERCHANGEABILITY REQUIRE PRIOR TYCO APPROVAL AND AUTHORIZATION BY REVISION TO THIS DRAWING.

2. ITEMS PROVIDED TO THIS SPECIFICATION TO BE PERMANENTLY IDENTIFIED ON THE CONTAINER WITH THE FOLLOWING IDENTIFIER:



3 MATERIAL: COPPER ALLOY

4 FINISH:
 SILVER PLATE .000200 MIN. THK. OVER
 NICKEL PLATE .000040 MIN THK.

AS SHOWN	1766253-1
DESCRIPTION	PART NUMER

THIS DRAWING IS A CONTROLLED DOCUMENT.		DWN	30APR2007	Tyco Electronics Corporation	
		CHK	30APR07	Harrisburg, PA 17105-3608	
		APVD	30APR07	NAME	
		S.FLICKINGER		CONTACT, PIN, 1/4 DIA.	
		S.FLICKINGER		WITH No. 4 AWG CRIMP BARREL	
		PRODUCT SPEC		DRAWERS	
		APPLICATION SPEC		SIZE	RESTRICTED TO
		WEIGHT		A3	—
		CUSTOMER DRAWING		CAGE CODE	DRAWING NO
				00779	C-1766253
				SCALE	SHEET
				4:1	1 OF 1
				REV	A

ELCON CIRCULAR CONTACTS