



Chipsmall Limited consists of a professional team with an average of over 10 year of expertise in the distribution of electronic components. Based in Hongkong, we have already established firm and mutual-benefit business relationships with customers from,Europe,America and south Asia,supplying obsolete and hard-to-find components to meet their specific needs.

With the principle of “Quality Parts,Customers Priority,Honest Operation,and Considerate Service”,our business mainly focus on the distribution of electronic components. Line cards we deal with include Microchip,ALPS,ROHM,Xilinx,Pulse,ON,Everlight and Freescale. Main products comprise IC,Modules,Potentiometer,IC Socket,Relay,Connector.Our parts cover such applications as commercial,industrial, and automotives areas.

We are looking forward to setting up business relationship with you and hope to provide you with the best service and solution. Let us make a better world for our industry!



## Contact us

Tel: +86-755-8981 8866 Fax: +86-755-8427 6832

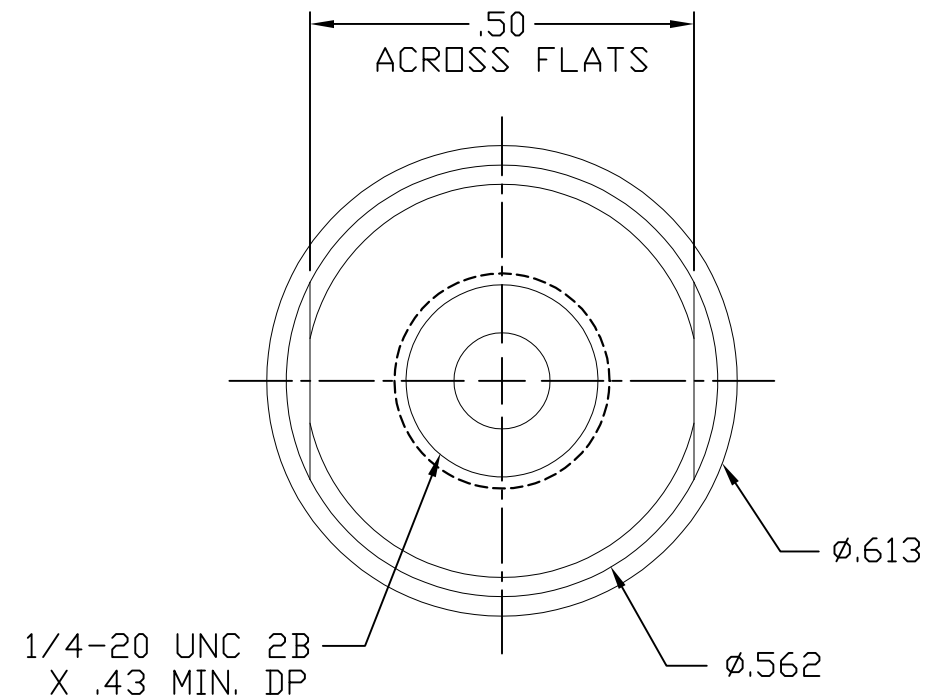
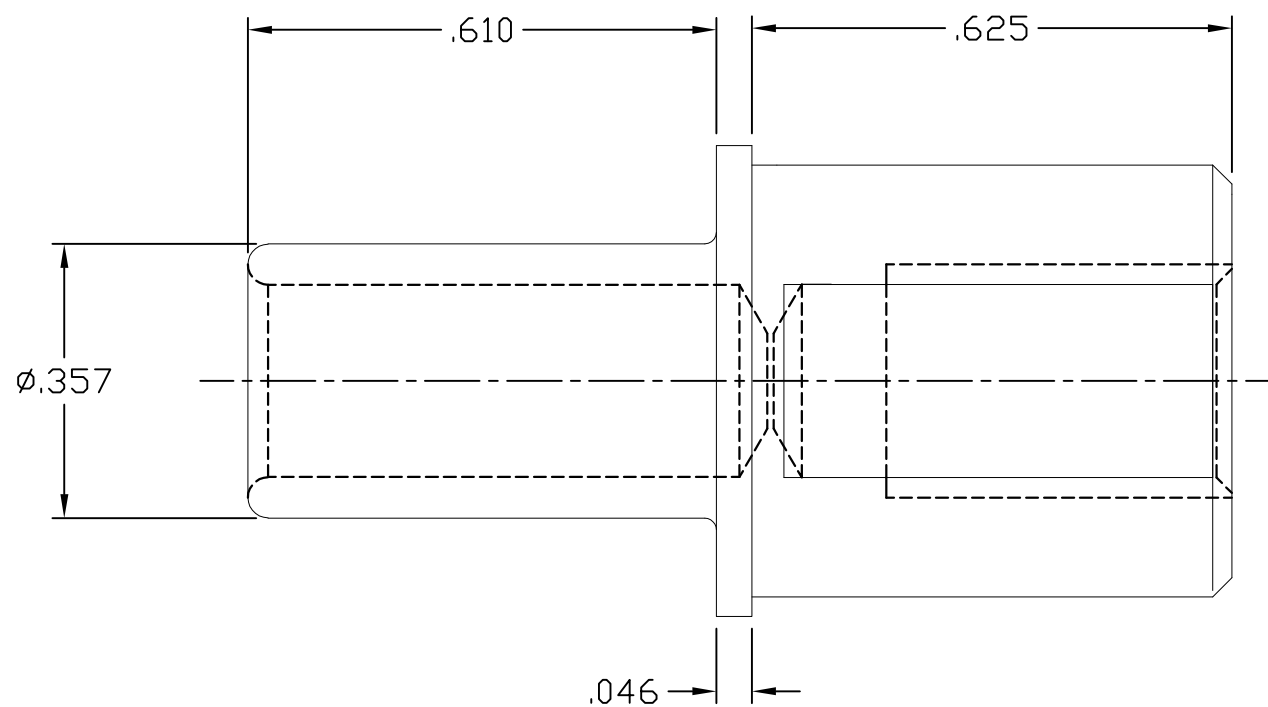
Email & Skype: info@chipsmall.com Web: www.chipsmall.com

Address: A1208, Overseas Decoration Building, #122 Zhenhua RD., Futian, Shenzhen, China



THIS DRAWING IS UNPUBLISHED. RELEASED FOR PUBLICATION  
 © COPYRIGHT BY TYCO ELECTRONICS CORPORATION. ALL RIGHTS RESERVED.

LOC	DIST	REVISIONS					
GP	00	P	LTR	DESCRIPTION	DATE	DWN	APVD
			B	REV PER ECO-08-000391	8JAN2008	RG	DO



1. PART NUMBER CHANGES AND OR DESIGN CHANGES AFFECTING ITEM INTERCHANGEABILITY REQUIRE PRIOR TYCO ELECTRONICS APPROVAL AND AUTHORIZATION BY REVISION TO THIS DRAWING.

2. MATERIAL:  
PIN CONTACT: COPPER ALLOY.

3. FINISHES:  
PIN CONTACT: SILVER PLATE, .000200 MIN THICK  
OVER NICKEL, .000050 MIN THICK

AS SHOWN	1766269-1
DESCRIPTION	PART NUMBER

THIS DRAWING IS A CONTROLLED DOCUMENT.		DWN	08JAN2008	Tyco Electronics Corporation	
		CHK	RFA/GRZYBOWSKI	Harrisburg, PA 17105-3608	
		APVD	D.ORRIS	NAME	
		APVD	8JAN2008	CONTACT, PIN, SIZE No. 0	
		PRODUCT SPEC	CHAU/FLICKINGER	1/4-20 INT.TH.D., DOUBLE CROWN DRAWERS	
		APPLICATION SPEC		SIZE	CAGE CODE
		WEIGHT		A3	00779
				DRAWING NO	
				C-1766269	
				RESTRICTED TO	
				-	
				SCALE	SHEET
				4:1	1 OF 1
				REV	B
				CUSTOMER DRAWING	