



Chipsmall Limited consists of a professional team with an average of over 10 year of expertise in the distribution of electronic components. Based in Hongkong, we have already established firm and mutual-benefit business relationships with customers from,Europe,America and south Asia,supplying obsolete and hard-to-find components to meet their specific needs.

With the principle of “Quality Parts,Customers Priority,Honest Operation,and Considerate Service”,our business mainly focus on the distribution of electronic components. Line cards we deal with include Microchip,ALPS,ROHM,Xilinx,Pulse,ON,Everlight and Freescale. Main products comprise IC,Modules,Potentiometer,IC Socket,Relay,Connector.Our parts cover such applications as commercial,industrial, and automotives areas.

We are looking forward to setting up business relationship with you and hope to provide you with the best service and solution. Let us make a better world for our industry!



Contact us

Tel: +86-755-8981 8866 Fax: +86-755-8427 6832

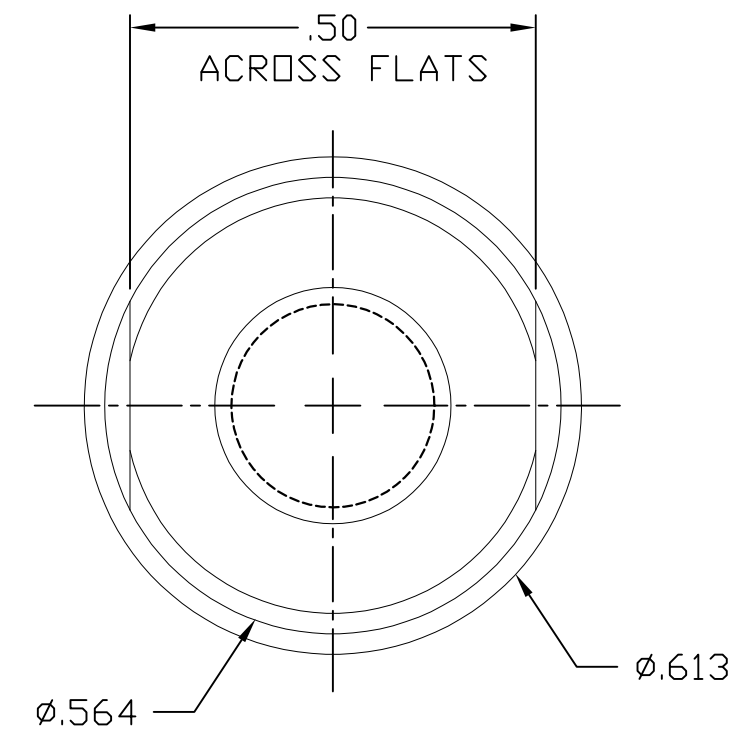
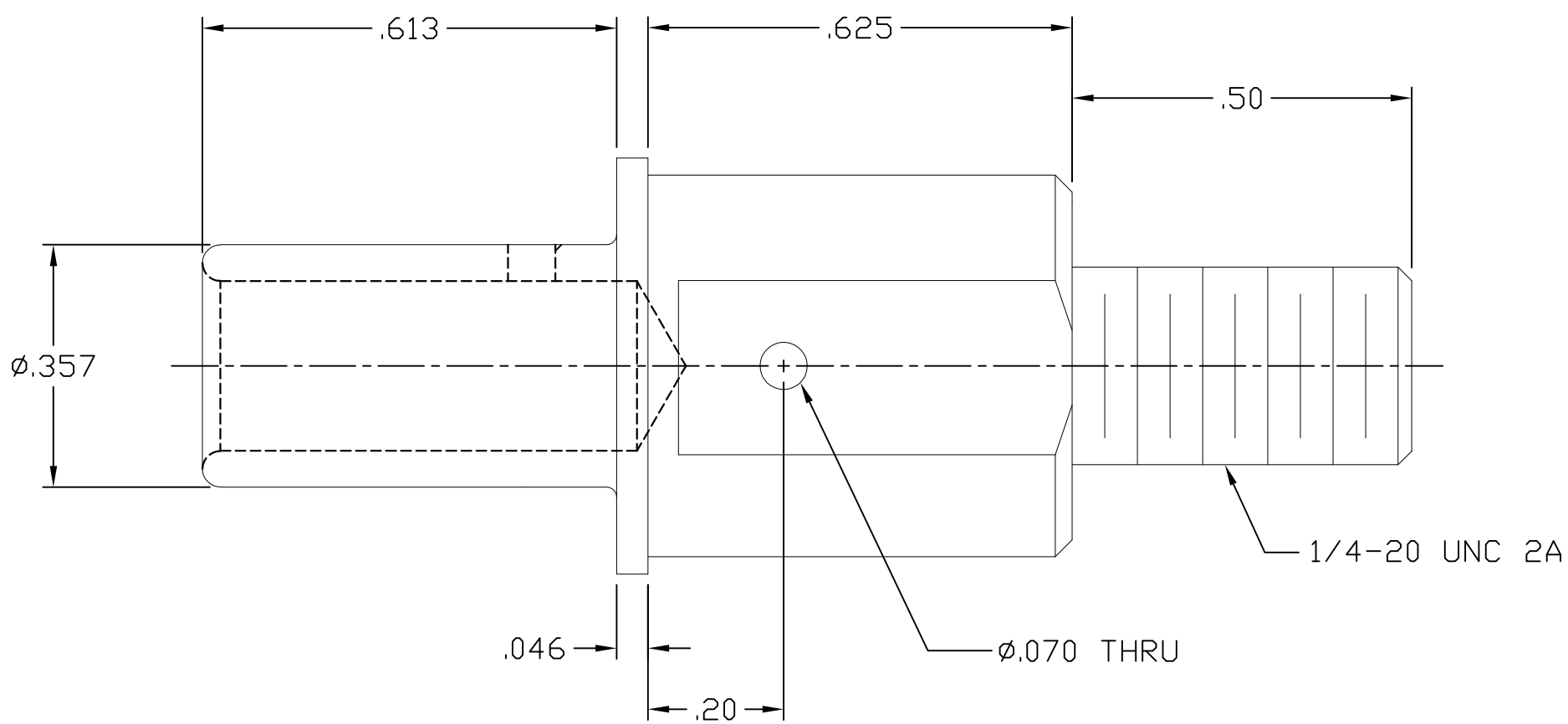
Email & Skype: info@chipsmall.com Web: www.chipsmall.com

Address: A1208, Overseas Decoration Building, #122 Zhenhua RD., Futian, Shenzhen, China



THIS DRAWING IS UNPUBLISHED. RELEASED FOR PUBLICATION
 © COPYRIGHT BY TYCO ELECTRONICS CORPORATION. ALL RIGHTS RESERVED.

| | | | | | | | |
|-----|------|-----------|-----|-----------------------|----------|-----|------|
| LOC | DIST | REVISIONS | | | | | |
| GP | 00 | P | LTR | DESCRIPTION | DATE | DWN | APVD |
| | | | C | REV PER ECO-08-000391 | 8JAN2008 | RG | DO |



3. FINISHES:
 PIN CONTACT: SILVER PLATE, .000200 MIN THICK
 OVER NICKEL, .000050 MIN THICK
2. MATERIAL:
 PIN CONTACT: COPPER ALLOY.
1. PART NUMBER CHANGES AND OR DESIGN CHANGES AFFECTING
 ITEM INTERCHANGEABILITY REQUIRE PRIOR TYCO ELECTRONICS
 APPROVAL AND AUTHORIZATION BY REVISION TO THIS DRAWING.

| | |
|-------------|-------------|
| AS SHOWN | 1766270-1 |
| DESCRIPTION | PART NUMBER |

| | | | | | | |
|----------------------------------------|--|------------------|----------------|--------------------|------------------------------|-----|
| THIS DRAWING IS A CONTROLLED DOCUMENT. | | DWN | 3/24/06 | | Tyco Electronics Corporation | |
| | | CHK | RFA/GRZYBOWSKI | | Harrisburg, PA 17105-3608 | |
| DIMENSIONS: INCHES | | APVD | S.FLICKINGER | | NAME | |
| TOLERANCES UNLESS OTHERWISE SPECIFIED: | | PRODUCT SPEC | - | | CONTACT, PIN, SIZE NO. 0 | |
| 0 PLC ± - | | APPLICATION SPEC | - | | 1/4-20 EXT THD. | |
| 1 PLC ± - | | | - | | DOUBLE CROWN, DRAWERS | |
| 2 PLC ± .02 | | SIZE | CAGE CODE | DRAWING NO | RESTRICTED TO | |
| 3 PLC ± .010 | | | | | | |
| 4 PLC ± - | | WEIGHT | - | | | |
| ANGLES ± .5 | | CUSTOMER DRAWING | | SCALE | SHEET | REV |
| MATERIAL | | - | | 4:1 | 1 OF 1 | C |
| FINISH | | - | | A3 00779 C-1766270 | | |