



Chipsmall Limited consists of a professional team with an average of over 10 year of expertise in the distribution of electronic components. Based in Hongkong, we have already established firm and mutual-benefit business relationships with customers from,Europe,America and south Asia,supplying obsolete and hard-to-find components to meet their specific needs.

With the principle of “Quality Parts,Customers Priority,Honest Operation,and Considerate Service”,our business mainly focus on the distribution of electronic components. Line cards we deal with include Microchip,ALPS,ROHM,Xilinx,Pulse,ON,Everlight and Freescale. Main products comprise IC,Modules,Potentiometer,IC Socket,Relay,Connector.Our parts cover such applications as commercial,industrial, and automotives areas.

We are looking forward to setting up business relationship with you and hope to provide you with the best service and solution. Let us make a better world for our industry!



## Contact us

Tel: +86-755-8981 8866 Fax: +86-755-8427 6832

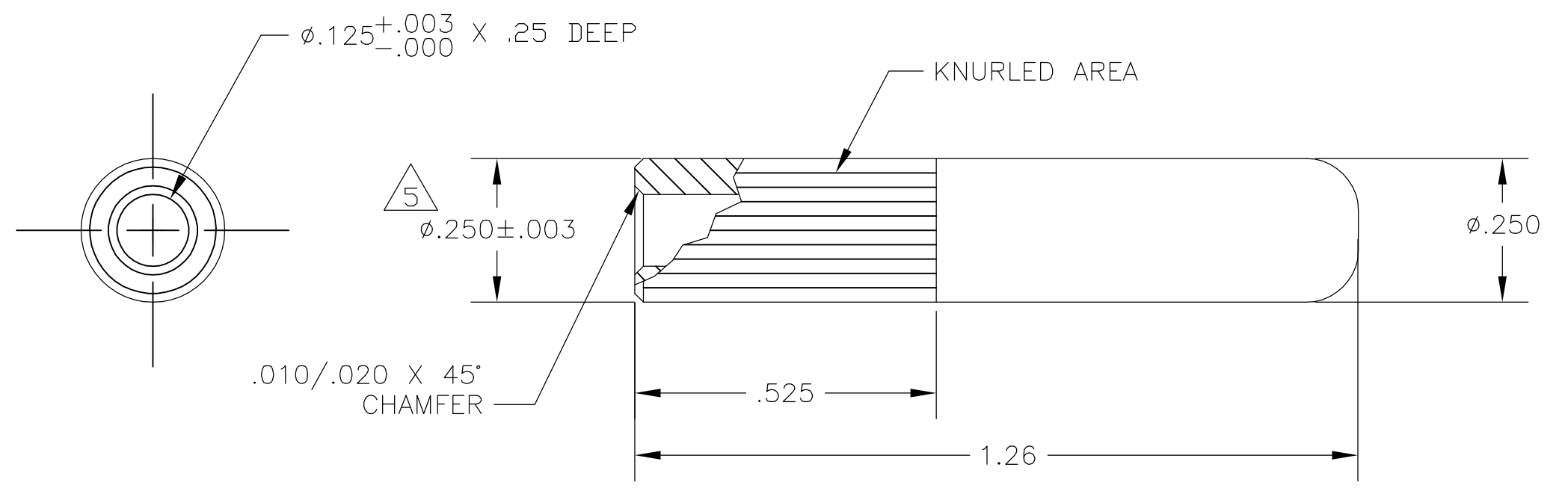
Email & Skype: info@chipsmall.com Web: www.chipsmall.com

Address: A1208, Overseas Decoration Building, #122 Zhenhua RD., Futian, Shenzhen, China



THIS DRAWING IS UNPUBLISHED. RELEASED FOR PUBLICATION  
 © COPYRIGHT BY TYCO ELECTRONICS CORPORATION. ALL RIGHTS RESERVED.

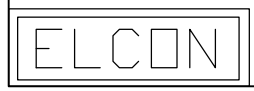
LOC	DIST	REVISIONS					
GP	00	P	LTR	DESCRIPTION	DATE	DWN	APVD
			A	RELEASED	03APR06	RG	PD



5. DIAMETER OVER KNURL.

- 4. FINISH: SILVER .000200 MIN THK. OVER NICKEL .000040 MIN THK.
- 3. MATERIAL: BRASS ALLOY.
- 2. ITEMS PROVIDED TO THIS SPECIFICATION SHALL BE IDENTIFIED ON THE CONTAINER WITH THE FOLLOWING INFORMATION: PART NUMBER & DATE CODE OF MFG.
- 1. PART NUMBER CHANGES AND/OR DESIGN CHANGES AFFECTING ITEM INTERCHANGEABILITY REQUIRE PRIOR TYCO APPROVAL AND AUTHORIZATION BY REVISION TO THIS DRAWING.

1766278-1  
PART NUMBER



THIS DRAWING IS A CONTROLLED DOCUMENT.		DWN R.GRZYBOWSKI 04APR2006	Tyco Electronics Corporation Harrisburg, PA 17105-3608		
DIMENSIONS: INCHES	TOLERANCES UNLESS OTHERWISE SPECIFIED:	CHK P.DAMATO 03APR06	NAME		
	0 PLC ± -	APVD S.FLICKINGER 03APR06	CONTACT, PIN, .25 DIA. WITH KNURLED BODY P/N: 711-39-02107		
	1 PLC ± -	PRODUCT SPEC	SIZE	CAGE CODE	DRAWING NO
	2 PLC ± .01	APPLICATION SPEC	A3	00779	C-1766278
	3 PLC ± .005	WEIGHT	RESTRICTED TO		
	4 PLC ± -		-		
	ANGLES ± .5		SCALE 1:1 SHEET 1 OF 1 REV A		
MATERIAL SEE NOTE 3	FINISH SEE NOTE 4	CUSTOMER DRAWING			