



Chipsmall Limited consists of a professional team with an average of over 10 year of expertise in the distribution of electronic components. Based in Hongkong, we have already established firm and mutual-benefit business relationships with customers from,Europe,America and south Asia,supplying obsolete and hard-to-find components to meet their specific needs.

With the principle of “Quality Parts,Customers Priority,Honest Operation,and Considerate Service”,our business mainly focus on the distribution of electronic components. Line cards we deal with include Microchip,ALPS,ROHM,Xilinx,Pulse,ON,Everlight and Freescale. Main products comprise IC,Modules,Potentiometer,IC Socket,Relay,Connector.Our parts cover such applications as commercial,industrial, and automotives areas.

We are looking forward to setting up business relationship with you and hope to provide you with the best service and solution. Let us make a better world for our industry!



Contact us



Tel: +86-755-8981 8866 Fax: +86-755-8427 6832

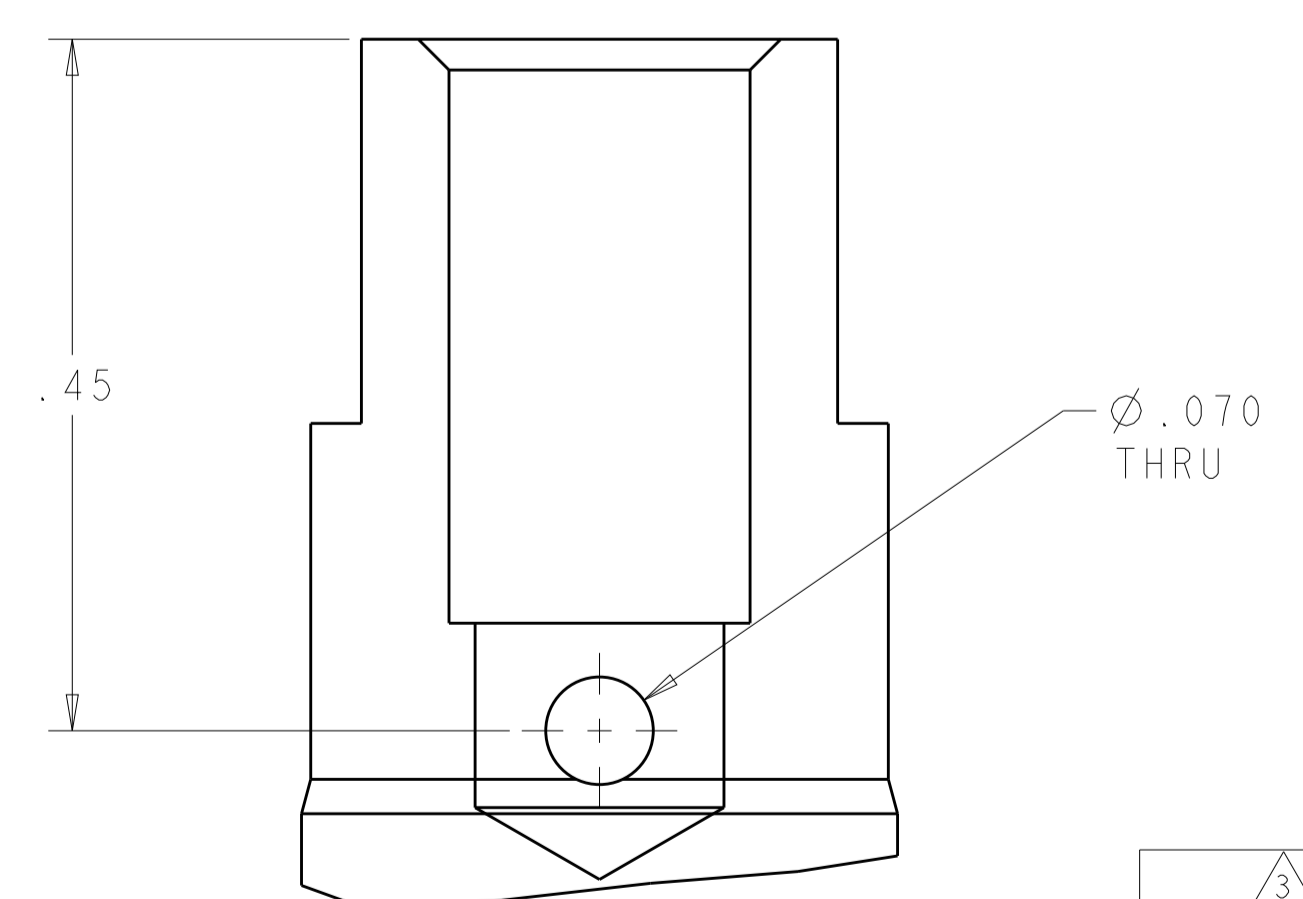
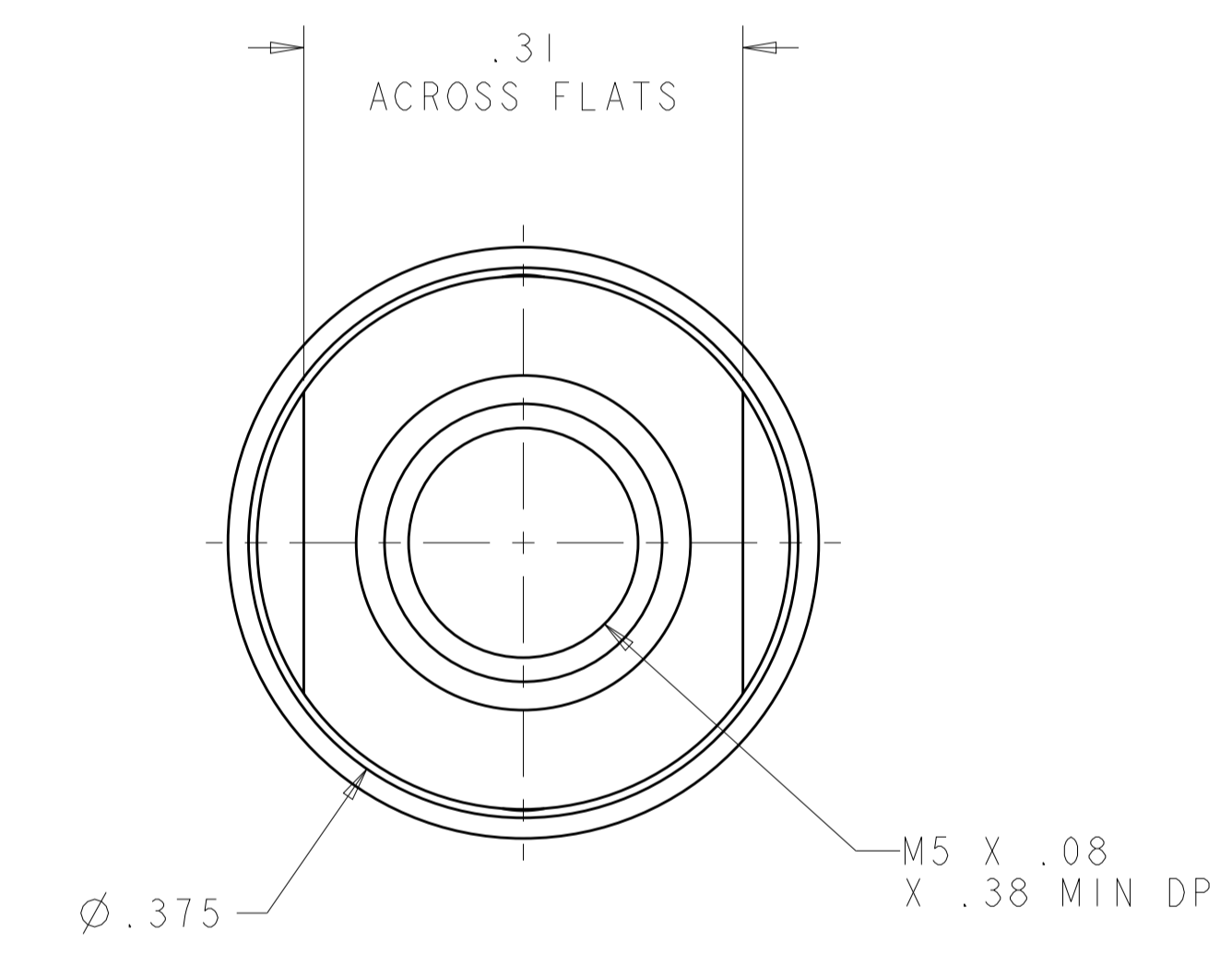
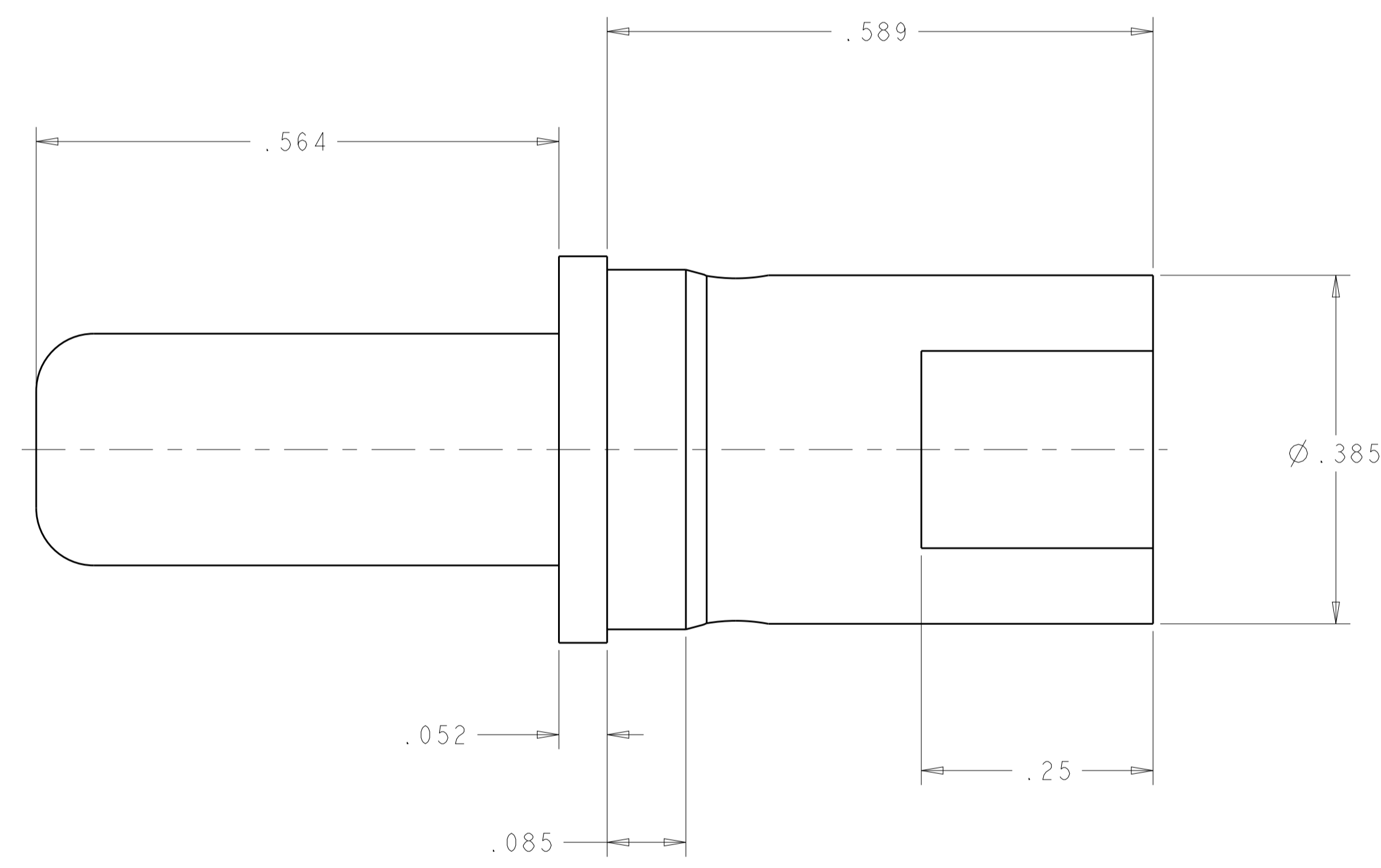
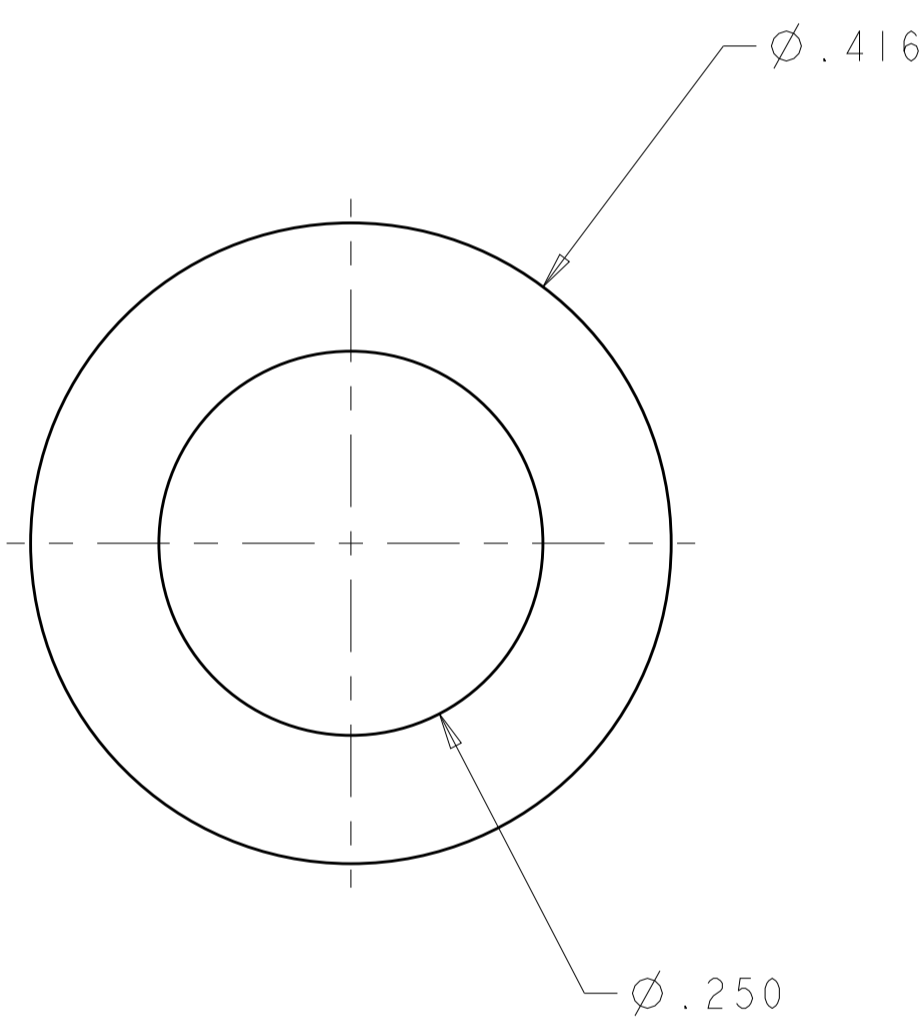
Email & Skype: info@chipsmall.com Web: www.chipsmall.com



Address: A1208, Overseas Decoration Building, #122 Zhenhua RD., Futian, Shenzhen, China




LOC	DIST	REVISIONS					
		P	LTN	DESCRIPTION	DATE	DMN	APVD
GP	00	D		REVISED PER ECO-12-017092	27SEP2012	KH	DO

- MATERIAL: COPPER ALLOY
-  SILVER PLATE .000200 MIN THK.
 OVER NICKEL PLATE .000050 MIN THK.
 TARNISH RESISTANT COATING OVER ALL
-  GOLD PLATE .000030 MIN THK. OVER
 NICKEL PLATE .000050 MINIMUM THK.
- PART NUMBER CHANGES AND OR DESIGN CHANGES AFFECTING ITEM INTERCHANGEABILITY REQUIRE TYCO ELECTRONICS APPROVAL AND AUTHORIZATION BY REVISION TO THIS DRAWING.



	1766283-2
	1766283-1
FINISH	PART NO

THIS DRAWING IS A CONTROLLED DOCUMENT.		DMN: HM VAN SCIO 26MAR2008	 TE Connectivity
DIMENSIONS: INCHES		CHK: D. DEFLAUGH 26MAR2008	
TOLERANCES UNLESS OTHERWISE SPECIFIED:		APVD: D. DEFLAUGH 26MAR2008	NAME: CONTACT, PIN, .250 DIA, M5 X .08 INT. THD. TAPPED DRAWER, DOMINO
0 PLC ±.01	1 PLC ±.01	PRODUCT SPEC	SIZE: A100779
2 PLC ±.01	3 PLC ±.003	APPLICATION SPEC	CAGE CODE: 1766283
4 PLC ±.01	ANGLES ±.5°	FINISH	RESTRICTED TO: -
MATERIAL: -	FINISH: -	WEIGHT: -	SCALE: 4:1
CUSTOMER DRAWING		SCALE: 4:1	SHEET 1 OF 1