



Chipsmall Limited consists of a professional team with an average of over 10 year of expertise in the distribution of electronic components. Based in Hongkong, we have already established firm and mutual-benefit business relationships with customers from,Europe,America and south Asia,supplying obsolete and hard-to-find components to meet their specific needs.

With the principle of “Quality Parts,Customers Priority,Honest Operation,and Considerate Service”,our business mainly focus on the distribution of electronic components. Line cards we deal with include Microchip,ALPS,ROHM,Xilinx,Pulse,ON,Everlight and Freescale. Main products comprise IC,Modules,Potentiometer,IC Socket,Relay,Connector.Our parts cover such applications as commercial,industrial, and automotives areas.

We are looking forward to setting up business relationship with you and hope to provide you with the best service and solution. Let us make a better world for our industry!



Contact us

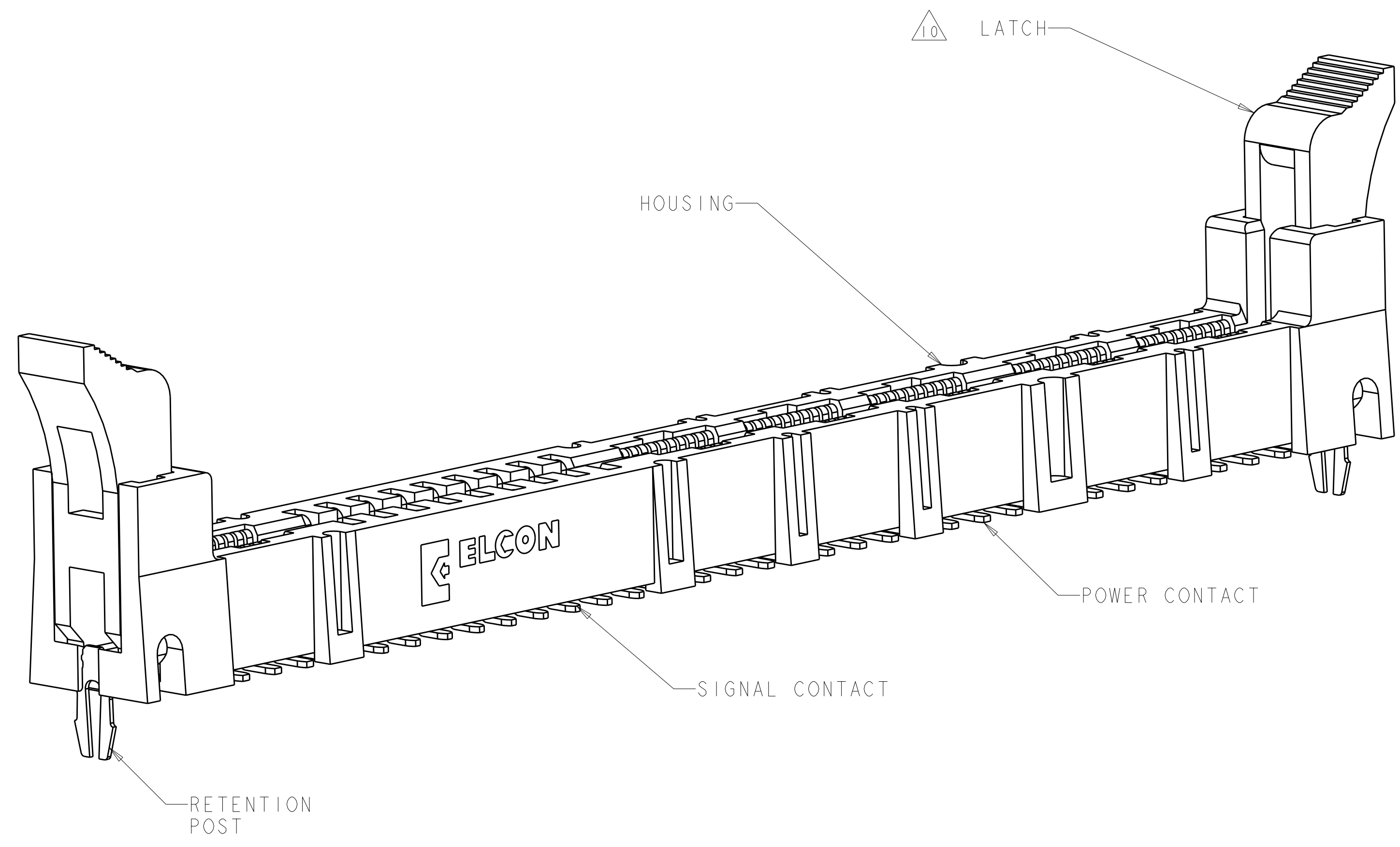
Tel: +86-755-8981 8866 Fax: +86-755-8427 6832

Email & Skype: info@chipsmall.com Web: www.chipsmall.com

Address: A1208, Overseas Decoration Building, #122 Zhenhua RD., Futian, Shenzhen, China



| LOC | DIST | REV | DATE | BY | APPD |
|-----|------|-----------------------|-----------|----|------|
| GP | 00 | C | 19DEC2008 | RG | PD |
| | | DESCRIPTION | | | |
| | | REV PER ECO-08-031583 | | | |

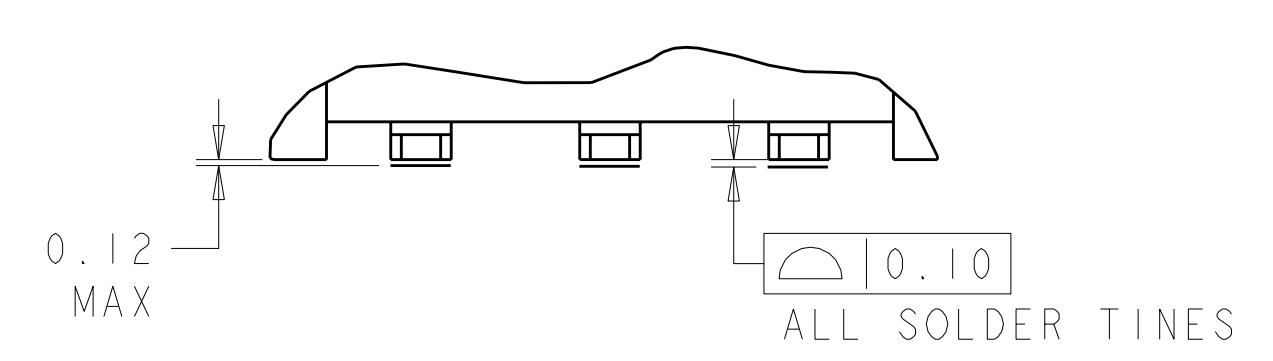
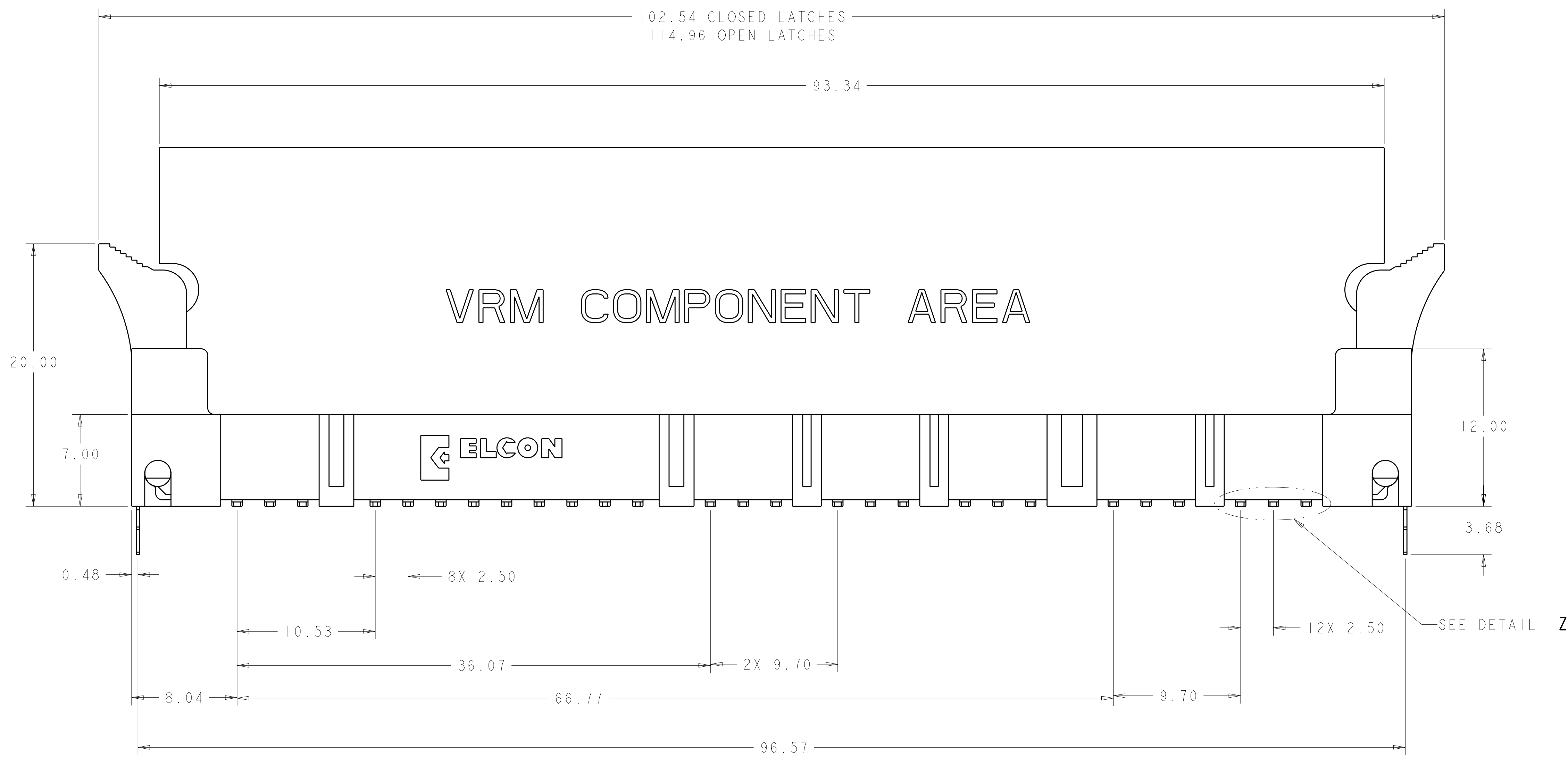
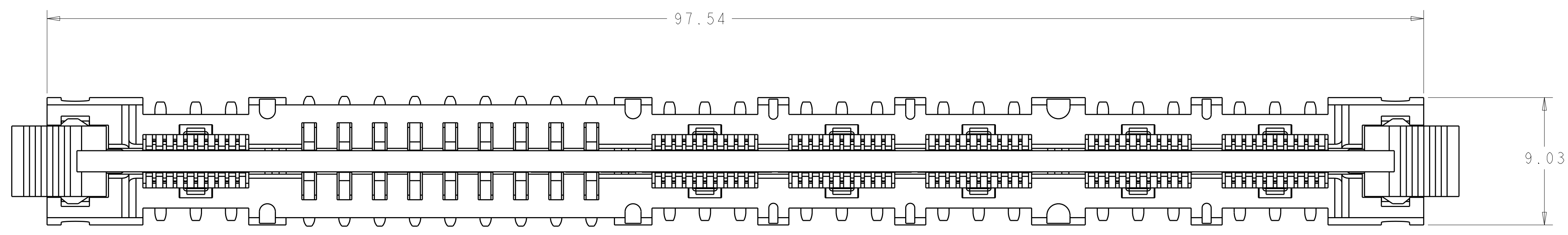


- PART NUMBER CHANGES AND OR DESIGN CHANGES AFFECTING ITEM INTERCHANGEABILITY REQUIRE PRIOR TYCO ELECTRONICS APPROVAL AND AUTHORIZATION BY REVISION TO THIS DRAWING.
- MATERIAL:
 - HOUSING: GLASS FILLED POLYESTER, COLOR-BLACK
UL94V-0 FLAMMABILITY RATED
 - LATCHES: THERMOPLASTIC, GLASS REINFORCED
COLOR: BLACK, UL94V-0 FLAMMABILITY RATED
 - CONTACTS: COPPER ALLOY
 - RETENTION POST: COPPER ALLOY
- FINISH:
 - SIGNAL CONTACTS:
 - MATING AREA-0.76µm MIN GOLD OVER 3.81µm MIN NICKEL
 - 0.64µm MIN NICKEL PLATE OVER REMAINDER
 - SMT TAILS-3.81µm MIN MATTE TIN OVER NICKEL PLATE
 - POWER CONTACTS:
 - 1.27µm MIN NICKEL PLATE ALL OVER
 - MATING AREA-0.76µm MIN GOLD OVER NICKEL PLATE
 - SMT TAILS-3.05µm MIN TIN OVER NICKEL PLATE
 - RETENTION POSTS:
 - 3.05µm MIN MATTE TIN OVER 0.63µm MIN NICKEL
- ITEMS PROVIDED TO THIS SPECIFICATION TO BE PERMANENTLY IDENTIFIED WITH PART NUMBER AND DATE CODE.
- MAXIMUM BURR OF 0.013 ON CARD TAB AREA.
- SET TRACE BACK FROM PC BOARD EDGE. NO SOLDERMASK ALLOWED BETWEEN PC BOARD EDGE AND TRACE.
- CONNECTOR ACCEPTS 1.57±0.13 THICK PC BOARD.
- KEEP OUT AREA FOR COMPONENTS ONLY.
- FEATURE REQUIRED FOR USE WITH LATCH.
- CAUTION: LATCHES ARE INTENDED FOR RETENTION OF PC BOARD TO CONNECTOR. DO NOT ATTEMPT TO FULLY EJECT PC BOARD FROM CONNECTOR WHILE DISENGAGING LATCHES, DAMAGE TO LATCHES AND OR CONNECTOR MAY OCCUR.
- RECOMMENDED GOLD FINGER LENGTH FOR RELIABLE CONTACT.
- DATUMS AND BASIC DIMENSIONS ESTABLISHED BY CUSTOMER.
- FOR DESIGN OBJECTIVES SEE 108-2301.

| | |
|-------------|-----------|
| AS SHOWN | 1766336-1 |
| DESCRIPTION | PART NO. |

| | | | |
|--|--|---|--|
| DIMENSIONS: mm TOLERANCES UNLESS OTHERWISE SPECIFIED: 9 PLC ±.5 1 PLC ±.5 2 PLC ±.25 3 PLC ±.25 4 PLC ±.25 ANGLES ±0.0000 FINISH ±.5 | | DWN: HA/GRZYBOWSKI 01/25/05 CHK: P.DAMATO APVD: CHAU/PERCHERAE 06/28/06 PRODUCT SPEC APPLICATION SPEC WEIGHT CUSTOMER DRAWING | Tyco Electronics Harrisburg, PA 17105-3608 NAME: SOCKET CONNECTOR ASSEMBLY W/LATCHES MC-P6S9 MINI CROWN EDGE SIZE: A1100779 CAGE CODE: C=1766336 DRAWING NO: 1766336-1 SCALE: 5:1 SHEET: 1 OF 4 REV: C |
|--|--|---|--|

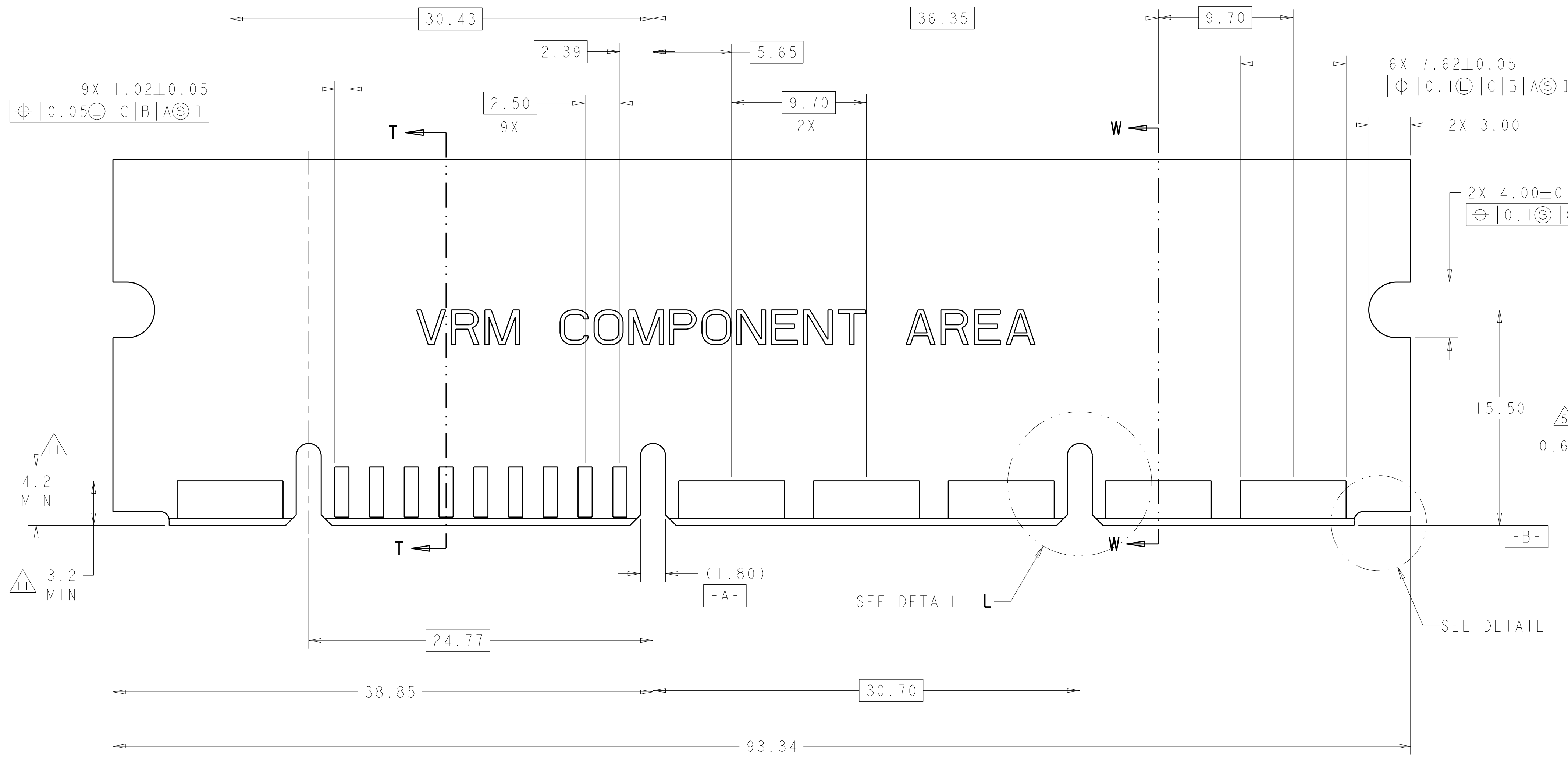
| LOC | DIST | REVISIONS | | | | | |
|-----|------|-----------|-----|-------------|------|-----|------|
| GP | 00 | P | LTR | DESCRIPTION | DATE | DWN | APVD |
| - | - | - | - | SEE SHEET 1 | - | - | - |



DETAIL Z
SCALE 10:1

| | | | |
|---|--|--|---|
| <small>THIS DRAWING IS UNPUBLISHED. RELEASED FOR PUBLICATION BY TYCO ELECTRONICS CORPORATION. ALL RIGHTS RESERVED. THIS IS SUBJECT TO CHANGE WITHOUT NOTICE AND WITHOUT OBLIGATION. DIMENSIONS ARE GIVEN IN MILLIMETERS UNLESS OTHERWISE SPECIFIED.</small> | | DWN HA/GRZYBOWSKI 01/25/05 CHK P.DAMATO APVD CHAU/PERCHERAE 06/28/06 PRODUCT SPEC APPLICATION SPEC WEIGHT CUSTOMER DRAWING | Tyco Electronics Harrisburg, PA 17105-3608 NAME SOCKET CONNECTOR ASSEMBLY W/LATCHES MC-P6S9 MINI CROWN EDGE SIZE CAGE CODE DRAWING NO. RESTRICTED TO A100779C-1766336 SCALE 5:1 SHEET 2 OF 4 REV C |
| DIMENSIONS: mm | TOLERANCES UNLESS OTHERWISE SPECIFIED: 9 PLC ±.5 1 PLC ±.5 3 PLC ±.25 4 PLC ±.0000 ANGLES ±.5 FINISH | | |

| LOC | DIST | REV | DESCRIPTION | DATE | DWN | APVD |
|-----|------|-----|-------------|------|-----|------|
| GP | 00 | | SEE SHEET 1 | | | |



VRM COMPONENT AREA

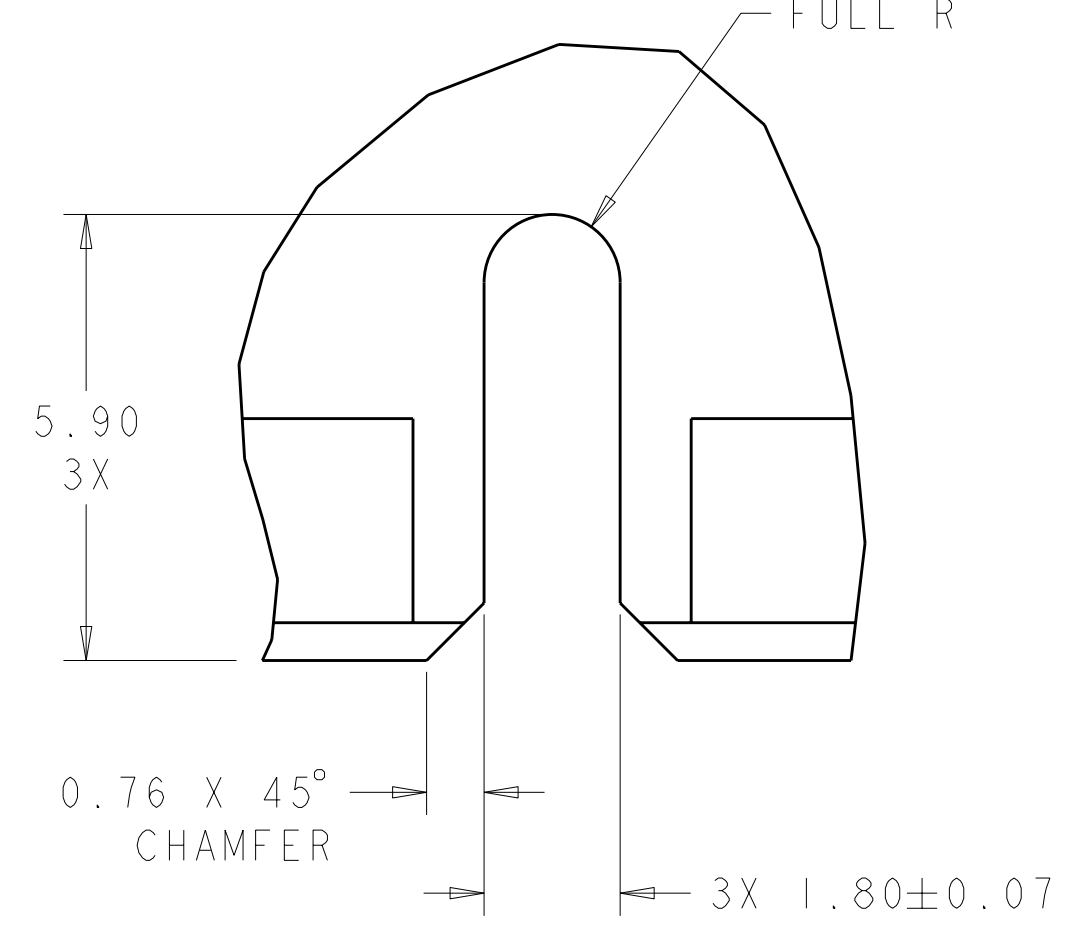
RECOMMENDED MATING BOARD

6X 7.62±0.05
 ⊕ 0.1 ⊙ | C | B | A ⊙ | J

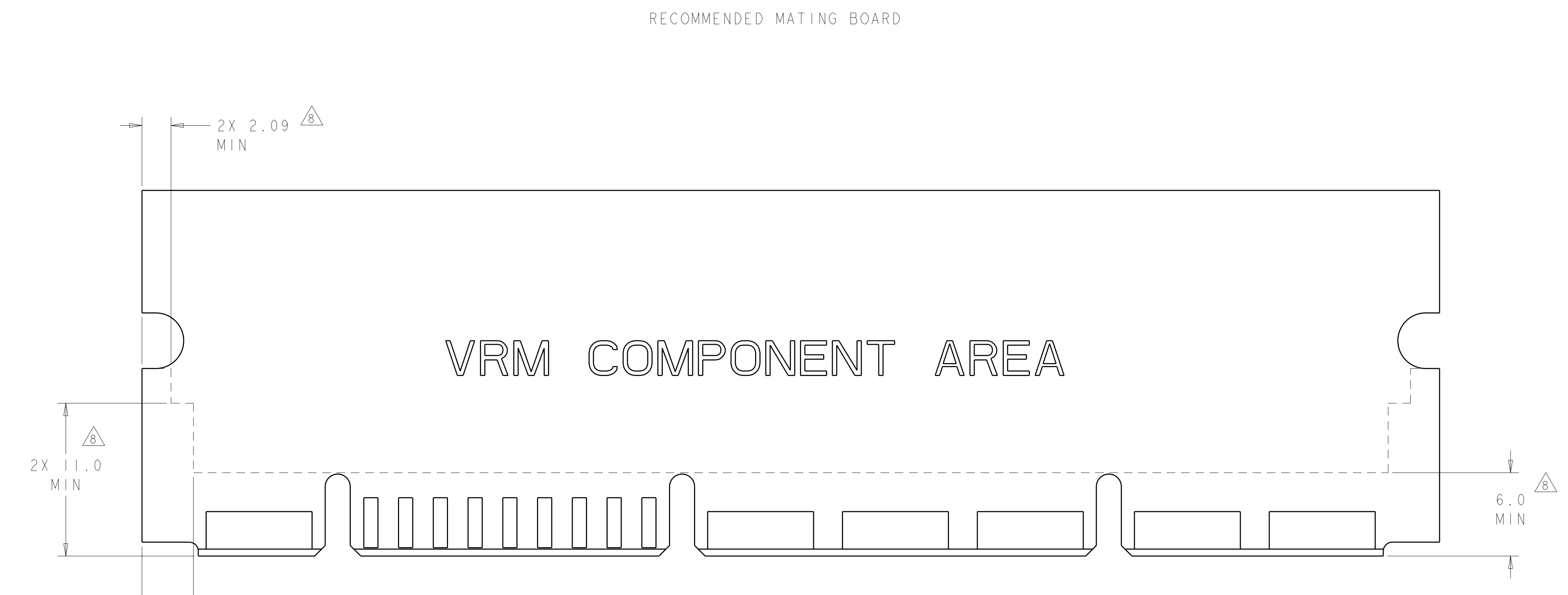
2X 4.00±0.08
 ⊕ 0.1 ⊙ | C | A ⊙ | B

0.6^{+0.2}₀

SECTION T-T
 SCALE 15:1

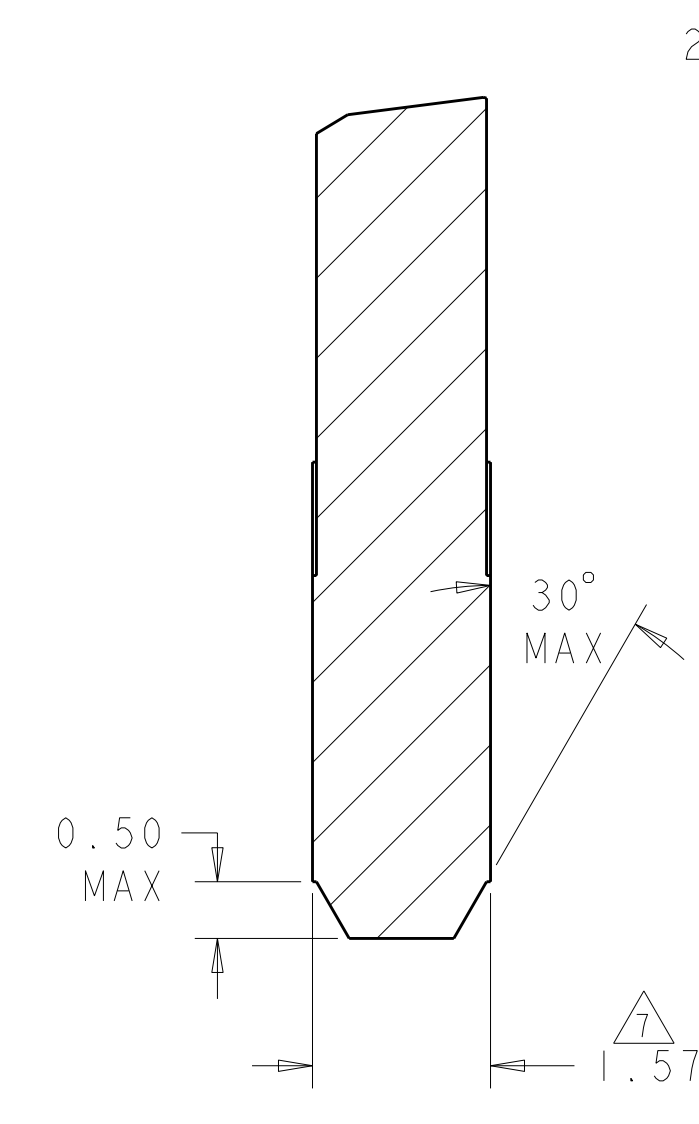


DETAIL L
 SCALE 10:1

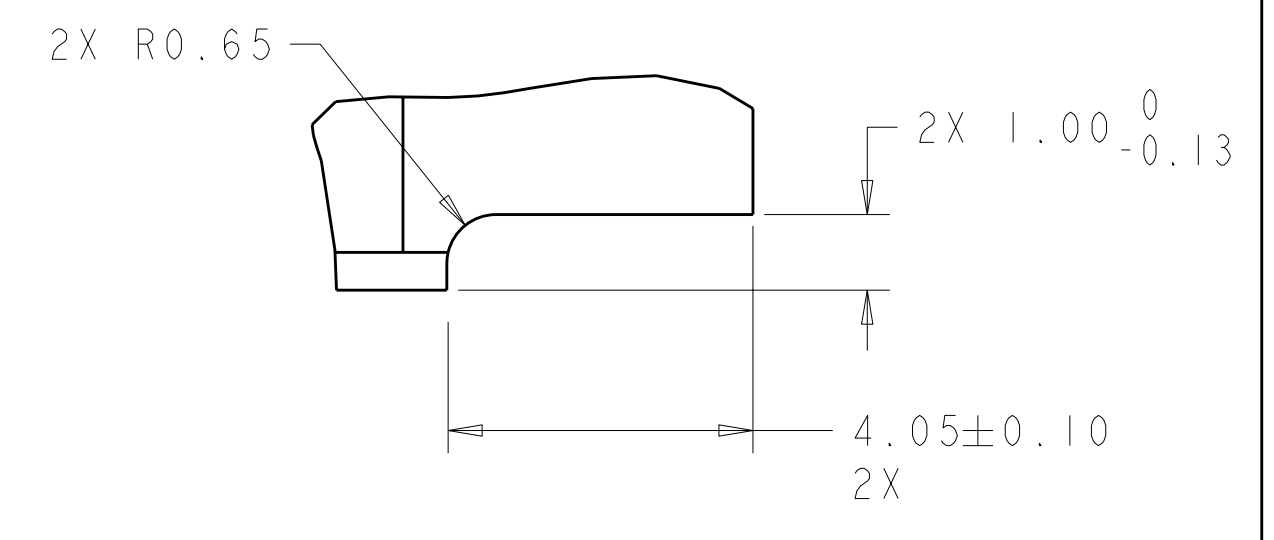


VRM COMPONENT AREA

RECOMMENDED PC BOARD KEEP OUT AREA



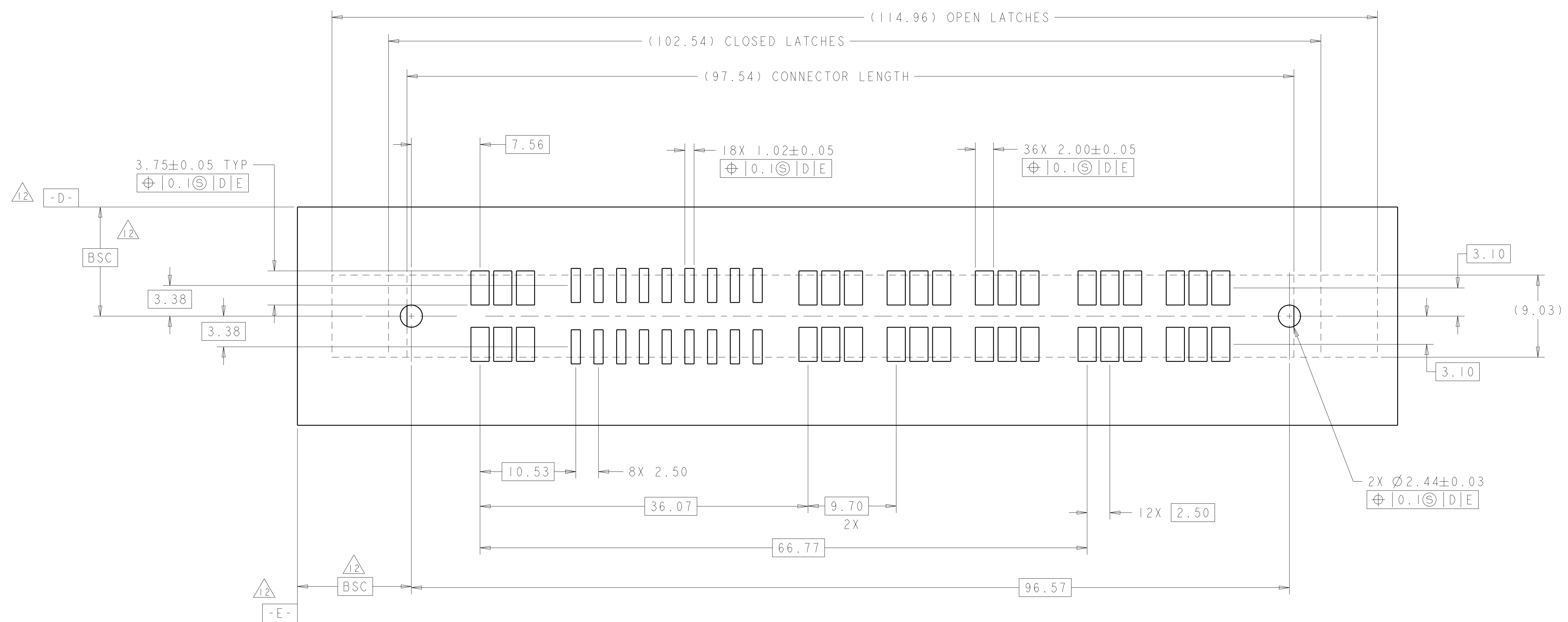
SECTION W-W
 SCALE 15:1



DETAIL N
 SCALE 10:1

| | | | | | | | |
|-----------------------|--|---|--|--|--|--|--|
| DIMENSIONS: mm | | TOLERANCES UNLESS OTHERWISE SPECIFIED: 9 PLC ±.5 1 PLC ±.25 5 PLC ±.25 4 PLC ±.0000 ANGLES ±.5 FINISH | | DWN HA/GRZYBOWSKI 01/25/05 CHK P.DAMATO APVD CHAU/PERCHERAE 06/28/06 PRODUCT SPEC APPLICATION SPEC WEIGHT CUSTOMER DRAWING | | Tyco Electronics Harrisburg, PA 17105-3608 NAME SOCKET CONNECTOR ASSEMBLY W/LATCHES MC-P6S9 MINI CROWN EDGE SIZE CAGE CODE DRAWING NO. RESTRICTED TO A100779C=1766336 SCALE 5:1 SHEET 3 OF 4 REV C | |
|-----------------------|--|---|--|--|--|--|--|

| LOC | DIST | REV | DATE | DWN | APVD |
|-----|------|-------------|------|-----|------|
| GP | 00 | | | | |
| | | DESCRIPTION | DATE | DWN | APVD |
| | | SEE SHEET 1 | | | |



RECOMMENDED SOLDER LAND GUIDELINE
 AS VIEWED FROM CONNECTOR SIDE

| | | | |
|--|--|---|---|
| <small>THIS DRAWING IS UNPUBLISHED. RELEASED FOR PUBLICATION BY TYCO ELECTRONICS CORPORATION. ALL RIGHTS RESERVED.</small> | | DWN: HA/GRZYBOWSKI 01/25/05 CHK: P.DAMATO APVD: CHAU/PERCHERAE 06/28/06 | Tyco Electronics Harrisburg, PA 17105-3608 |
| DIMENSIONS: mm | TOLERANCES UNLESS OTHERWISE SPECIFIED: 9 PLC ±.5 2 PLC ±.25 5 PLC ±.25 4 PLC ±0.0001 ANGLES ±.5 FINISH | NAME: SOCKET CONNECTOR ASSEMBLY W/LATCHES MC-P6S9 MINI CROWN EDGE PRODUCT SPEC APPLICATION SPEC | SIZE: A CAGE CODE: 1766336 DRAWING NO: 100779 RESTRICTED TO: C |
| MATERIAL: | FINISH: | WEIGHT: | CUSTOMER DRAWING |
| | | SCALE: 5:1 | SHEET 4 OF 4 REV C |