



Chipsmall Limited consists of a professional team with an average of over 10 year of expertise in the distribution of electronic components. Based in Hongkong, we have already established firm and mutual-benefit business relationships with customers from,Europe,America and south Asia,supplying obsolete and hard-to-find components to meet their specific needs.

With the principle of "Quality Parts,Customers Priority,Honest Operation,and Considerate Service",our business mainly focus on the distribution of electronic components. Line cards we deal with include Microchip,ALPS,ROHM,Xilinx,Pulse,ON,Everlight and Freescale. Main products comprise IC,Modules,Potentiometer,IC Socket,Relay,Connector.Our parts cover such applications as commercial,industrial, and automotives areas.

We are looking forward to setting up business relationship with you and hope to provide you with the best service and solution. Let us make a better world for our industry!



Contact us

Tel: +86-755-8981 8866 Fax: +86-755-8427 6832

Email & Skype: info@chipsmall.com Web: www.chipsmall.com

Address: A1208, Overseas Decoration Building, #122 Zhenhua RD., Futian, Shenzhen, China



4

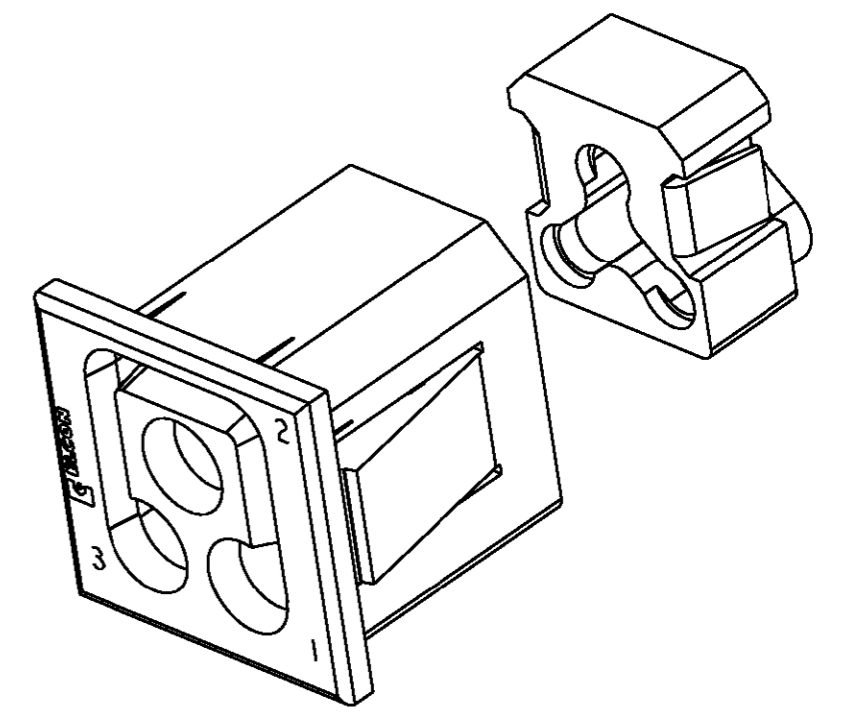
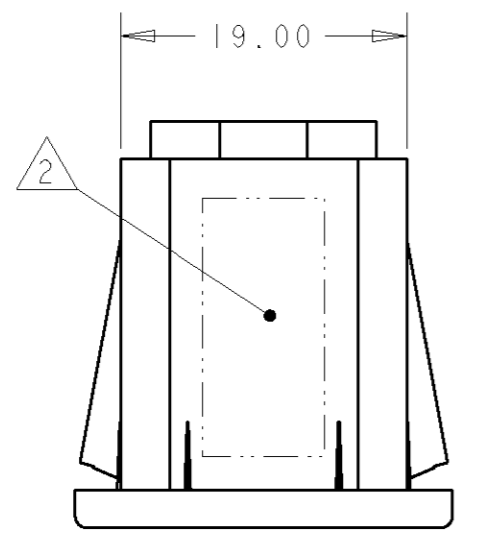
3

2

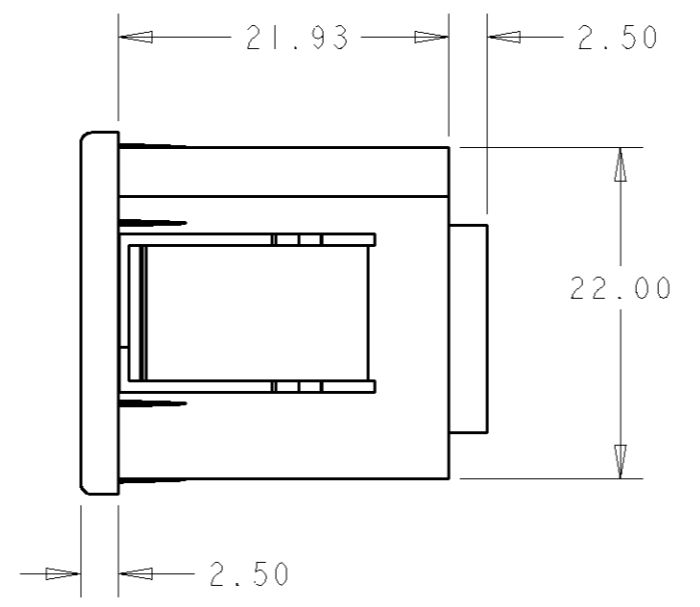
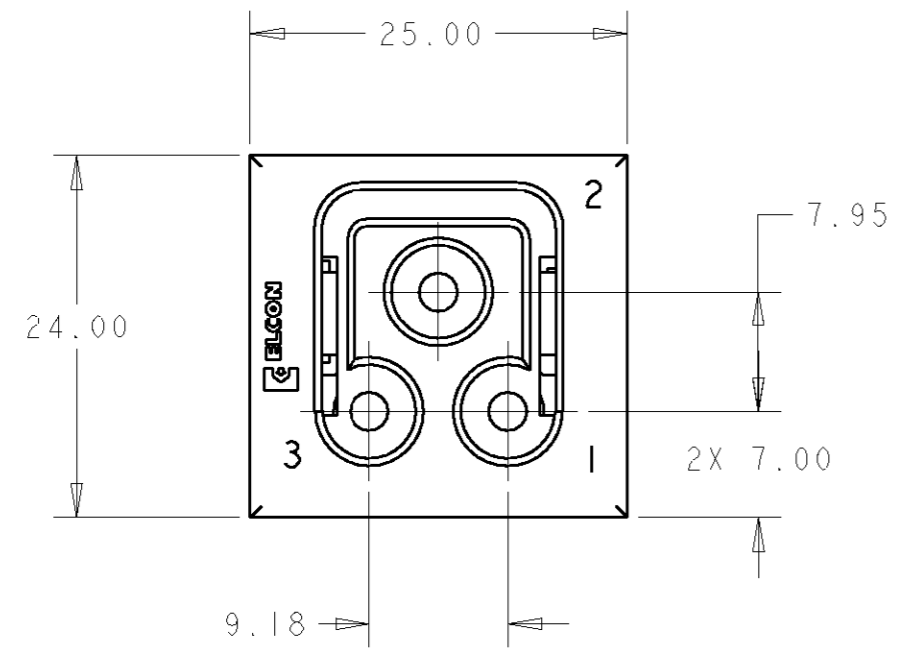
1

THIS DRAWING IS UNPUBLISHED. RELEASED FOR PUBLICATION 20
 © COPYRIGHT 20 BY TYCO ELECTRONICS CORPORATION. ALL RIGHTS RESERVED.

LOC	DIST	REVISIONS				
P	LTR	DESCRIPTION	DATE	DWN	APVD	
GP	00	A	NEW RELEASE	06SEP2007	RG	DO



SCALE 2:1



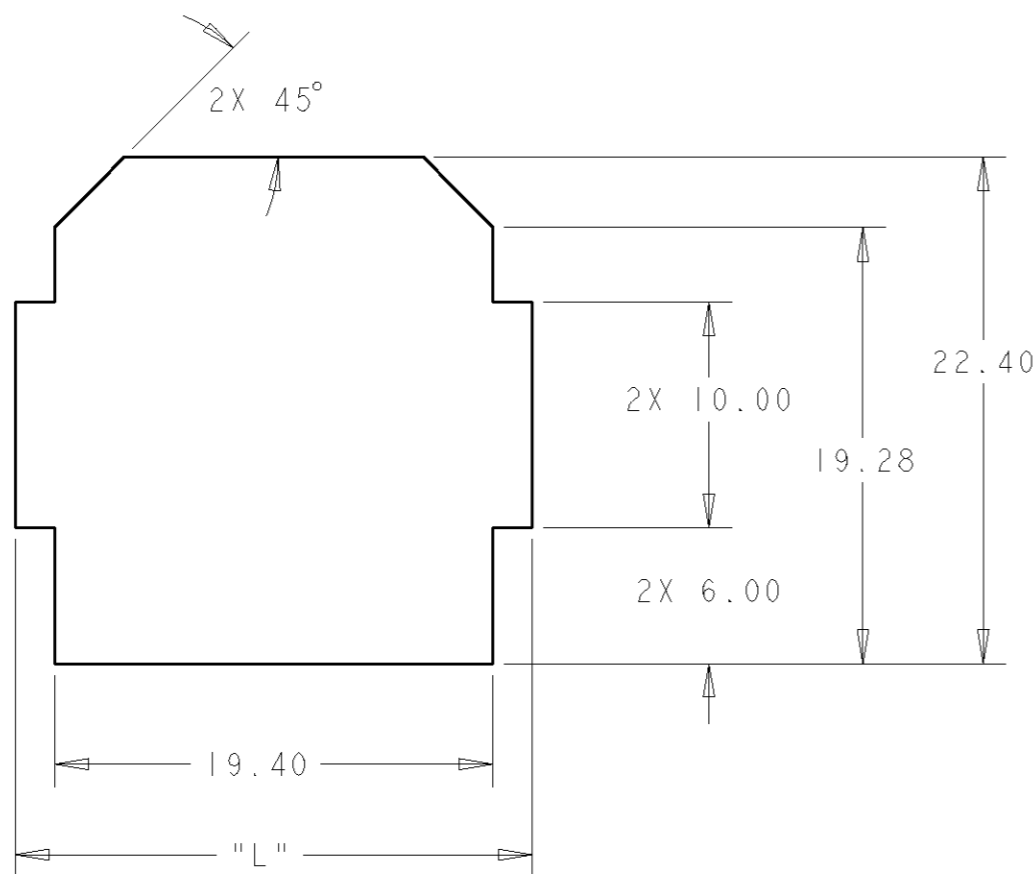
AS SHOWN	1766447-1
DESCRIPTION	PART NO.

<small>THIS DRAWING IS A CONTROLLED DOCUMENT FOR TYCO ELECTRONICS CORPORATION IT IS SUBJECT TO CHANGE AND THE CONTROLLING ENGINEERING ORGANIZATION SHOULD BE CONTACTED FOR THE LATEST REVISION.</small>		DWN	06SEP2007	Tyco Electronics Harrisburg, PA 17105-3608
DIMENSIONS:		CHK	06SEP2007	
mm		APVD	06SEP2007	
		PRODUCT SPEC	-	
TOLERANCES UNLESS OTHERWISE SPECIFIED:		APPLICATION SPEC	-	NAME PIN CONNECTOR PANEL DISCONNECT SIZE No. 12 X 3, CRIMP STYLE
0 PLC ±- 1 PLC ±.5 2 PLC ±.25 3 PLC ±- 4 PLC ±- ANGLES ±-		WEIGHT	-	
MATERIAL -		CUSTOMER DRAWING		SIZE A3 CAGE CODE 00779 DRAWING NO C-1766447
FINISH -		SCALE 2:1		RESTRICTED TO -
		SHEET 1 OF 2		REV A

THIS DRAWING IS UNPUBLISHED. RELEASED FOR PUBLICATION 20
 © COPYRIGHT 20 BY TYCO ELECTRONICS CORPORATION. ALL RIGHTS RESERVED.

LOC	DIST	REVISIONS					
		P	LTR	DESCRIPTION	DATE	DWN	APVD
GP	00	-	-	SEE SHEET 1	-	-	-

22.87+0.2/-0.0	1.6±0.11
21.67+0.2/-0.0	1.2±0.08
20.74 +0.2/-0.0	1.0±0.08
19.82 +0.2/-0.0	0.8±0.07
L	PANEL THICKNESS



PANEL CUT-OUT

1. PART NUMBER CHANGES AND OR DESIGN CHANGES AFFECTING ITEM INTERCHANGEABILITY REQUIRE PRIOR TYCO ELECTRONICS APPROVAL AND AUTHORIZATION BY REVISION TO THIS DRAWING.

2. ITEMS PROVIDED TO THIS SPECIFICATION TO BE PERMANENTLY IDENTIFIED PER THE FOLLOWING IDENTIFIER:

YEAR WEEK
 TYCO ELECTRONICS P/N DATE CODE (e.g. 0325)
 XXXXXXX-X XXXX

3. MATERIAL:
 INSULATOR: THERMOPLASTIC, GLASS REINFORCED, COLOR BLACK, UL94V-0, FLAMMABILITY

<small>THIS DRAWING IS A CONTROLLED DOCUMENT FOR TYCO ELECTRONICS CORPORATION IT IS SUBJECT TO CHANGE AND THE CONTROLLING ENGINEERING ORGANIZATION SHOULD BE CONTACTED FOR THE LATEST REVISION.</small>		DWN 06SEP2007 R.GRZYBOWSKI		Tyco Electronics Harrisburg, PA 17105-3608	
DIMENSIONS: mm		TOLERANCES UNLESS OTHERWISE SPECIFIED: 0 PLC ±- 1 PLC ±.5 2 PLC ±.25 3 PLC ±- 4 PLC ±- ANGLES ±-		CHR 06SEP2007 D.ORRIS APVD 06SEP2007 S.FLICKINGER	
		MATERIAL - FINISH -		NAME PIN CONNECTOR PANEL DISCONNECT SIZE No. 12 X 3, CRIMP STYLE	
PRODUCT SPEC -		APPLICATION SPEC -		SIZE A3 CAGE CODE 00779 DRAWING NO C-1766447 RESTRICTED TO -	
WEIGHT -		CUSTOMER DRAWING		SCALE 2:1 SHEET 2 OF 2 REV A	