



Chipsmall Limited consists of a professional team with an average of over 10 year of expertise in the distribution of electronic components. Based in Hongkong, we have already established firm and mutual-benefit business relationships with customers from,Europe,America and south Asia,supplying obsolete and hard-to-find components to meet their specific needs.

With the principle of “Quality Parts,Customers Priority,Honest Operation,and Considerate Service”,our business mainly focus on the distribution of electronic components. Line cards we deal with include Microchip,ALPS,ROHM,Xilinx,Pulse,ON,Everlight and Freescale. Main products comprise IC,Modules,Potentiometer,IC Socket,Relay,Connector.Our parts cover such applications as commercial,industrial, and automotives areas.

We are looking forward to setting up business relationship with you and hope to provide you with the best service and solution. Let us make a better world for our industry!



Contact us

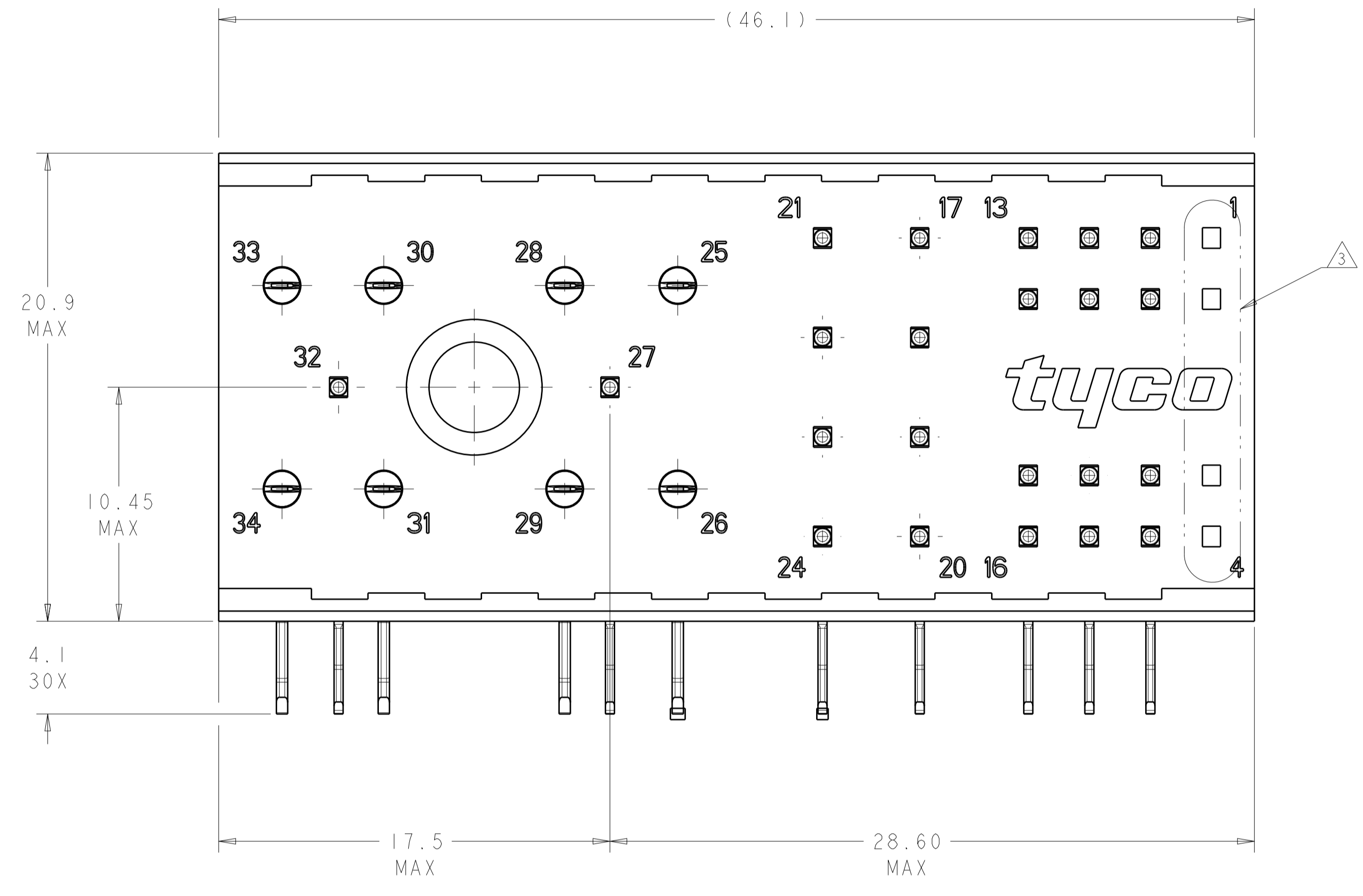
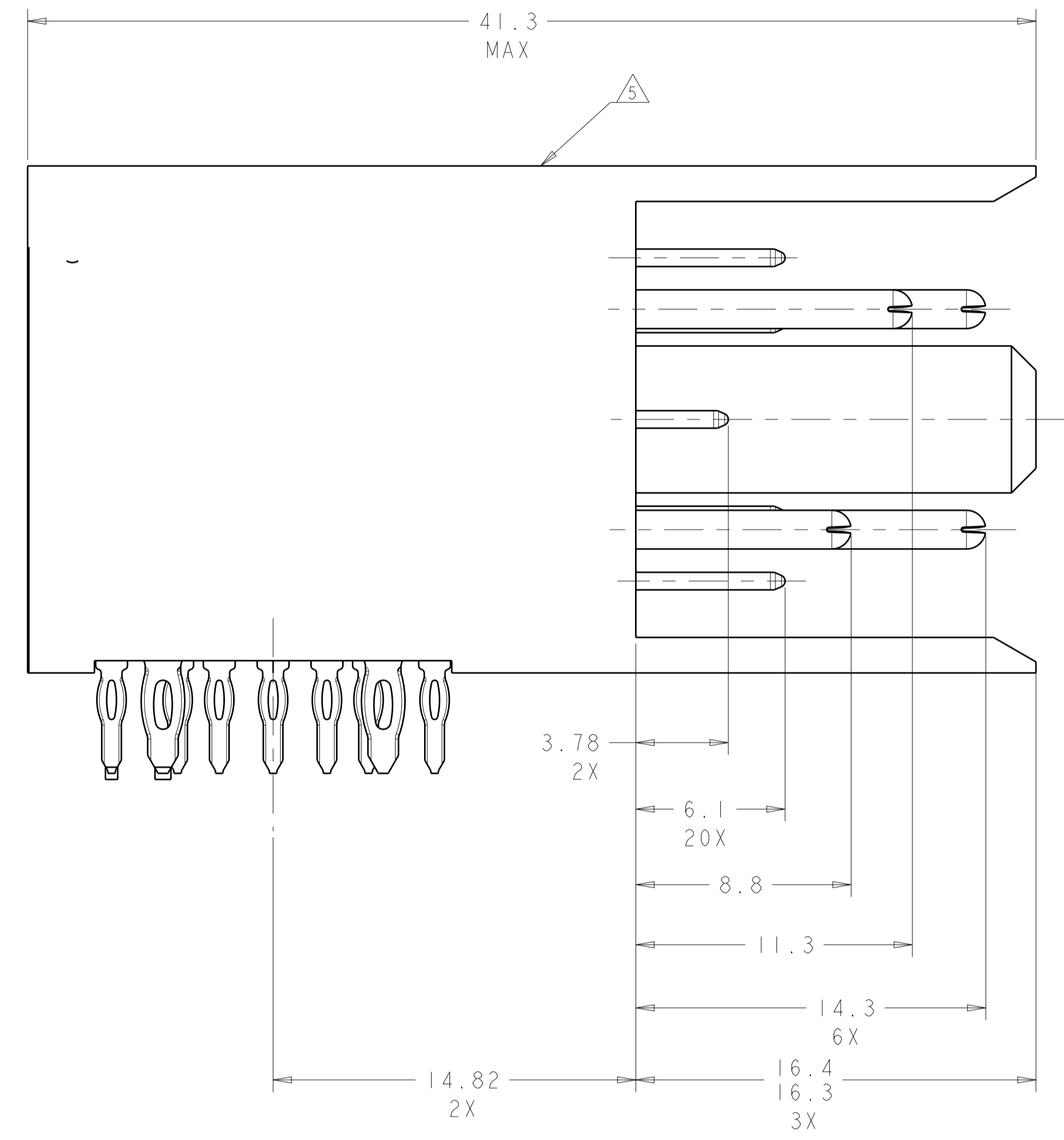
Tel: +86-755-8981 8866 Fax: +86-755-8427 6832

Email & Skype: info@chipsmall.com Web: www.chipsmall.com

Address: A1208, Overseas Decoration Building, #122 Zhenhua RD., Futian, Shenzhen, China



LOC	DIST	REVISIONS			
P	LTN	DESCRIPTION	DATE	DWN	APVD
E1		REVISED PER ECO-11-005033	19MAR2011	RK	HMR
E2		REMOVE PRELIMINARY MARK	24NOV2011	OL	SZ
F		REV PER ECR-12-016995	04NOV2012	OL	SZ



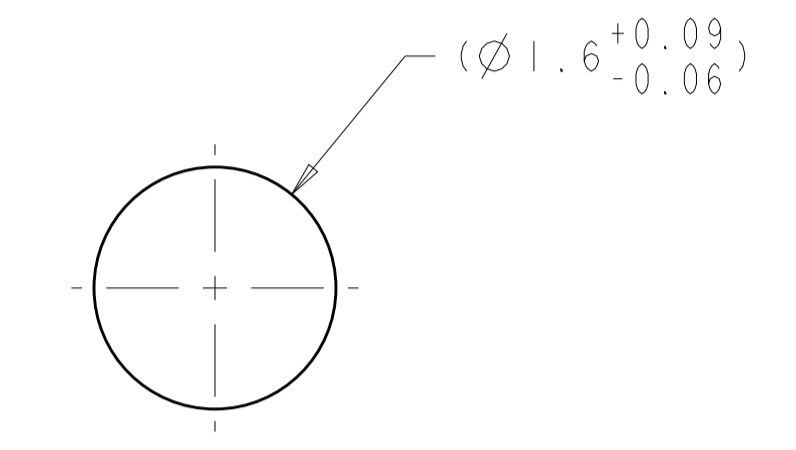
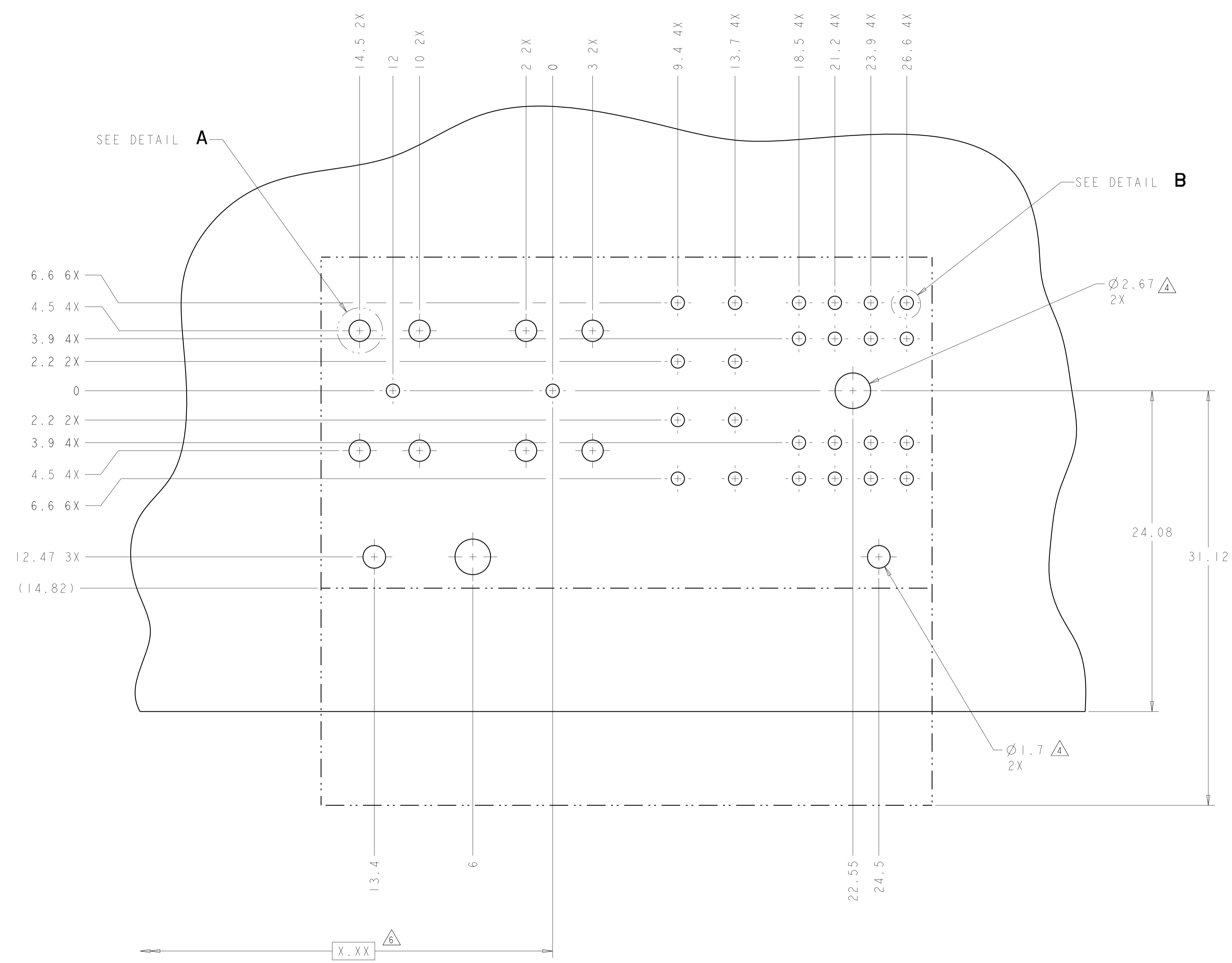
- 1 MATERIALS:**
 HOUSING: HIGH TEMP THERMOPLASTIC, UL94V-0, GRAY.
 SIGNAL CONTACTS: COPPER ALLOY
 POWER CONTACTS: COPPER ALLOY
- 2 CONTACT FINISH:**
 ALL OVER: 0.00127 MIN NICKEL
 COMPLIANT PIN AREA: 0.00127 MIN TIN
 MATING AREA: 0.00076 MIN GOLD
- 3 POSITIONS 1-4 ARE UNPOPULATED AND RESERVED FOR FUTURE USE.**
- 4 HOLES INDICATED ARE NOT REQUIRED FOR TE CONNECTIVITY PRODUCT.**
- 5 TE CONNECTIVITY PART NUMBER AND DATE CODE (YYWW) LOCATED ON SURFACE INDICATED.**
- 6 DATUM AND BASIC DIMENSION TO BE ESTABLISHED BY CUSTOMER.**
- 7 CONTACT FINISH:**
 ALL OVER: 0.00127 MIN NICKEL
 COMPLIANT PIN AREA: 0.00127 MIN TIN-LEAD
 MATING AREA: 0.00076 MIN GOLD
- 8 CONTACT MATING AREA LUBRICATED WITH BELLCORE APPROVED LUBRICANT.
 TECHNICAL REFERANCE: GR-1217-COR, ISSUE 1, NOVEMBER 1995**
- 9 CONTACT FINISH:**
 ALL OVER: 0.00127 MIN NICKEL
 COMPLIANT PIN AREA: 0.00127 MIN TIN
 MATING AREA: 0.00127 MIN GOLD

CONTACT POSN	PIN LENGTH
1-4	NOT USED
5-24	6.1
25,26,28-31	14.3
27,32	3.8
33	11.3
34	8.8

OBSOLETE	9	Ø0.762	22	22	ZP-A-030M-P2-2B	1766500-3
		Ø1.58	8	16	7P-A-030M-P2-2B	1766500-2
2	PLATING	Ø0.762	22	22	ZP-A-030M-P2-2B	1766500-1
		Ø1.58	8	16		
		MATING PIN DIAMETER	CONTACT QTY	SIZE NO	TYPE DESIGNATION	PART NO

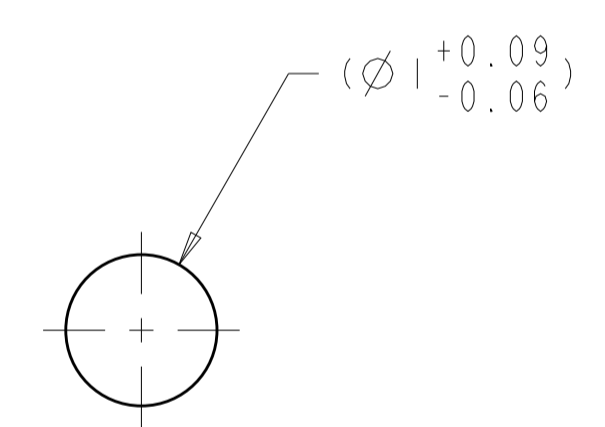
THIS DRAWING IS A CONTROLLED DOCUMENT.		DWN: HAMNER 20MAY2005	TE Connectivity ASSEMBLY, RT ANGLE, AdvancedTCA
DIMENSIONS:	TOLERANCES UNLESS OTHERWISE SPECIFIED:	CHK: M. McALONIS 21AUG2006	
mm	0 PLC ±0.5	APVD: M. McALONIS 21AUG2006	
	1 PLC ±0.13	PRODUCT SPEC 108-2216	
	2 PLC ±0.013	APPLICATION SPEC	SIZE: CAGE CODE: DRAWING NO: RESTRICTED TO
	3 PLC ±0.001	114-13156	A100779C=1766500
	4 PLC ±0.0001	WEIGHT	Customer Drawing
	ANGLES		SCALE 6:1 SHEET 1 OF 2 REV F

LOC	DIST	REVISIONS					
GP	00	P	LTN	DESCRIPTION	DATE	DWN	APVD
		-		SEE SHEET 1			



DETAIL A
 SCALE 20:1
 8X (SIZE 16)

FINISHED HOLE: $\phi 1.6^{+0.09}_{-0.06}$
 DRILLED HOLE: $\phi 1.75 \pm 0.025$
 COPPER PLATE: 0.025 MIN (PER SURFACE)
 TIN PLATE: 0.008 MIN (PER SURFACE)



DETAIL B
 SCALE 20:1
 26X (SIZE 22)

FINISHED HOLE: $\phi 1^{+0.09}_{-0.06}$
 DRILLED HOLE: $\phi 1.15 \pm 0.025$
 COPPER PLATE: 0.025 MIN (PER SURFACE)
 TIN PLATE: 0.008 MIN (PER SURFACE)

RECOMMENDED PCB LAYOUT
 VIEWED FROM CONNECTOR SIDE

THIS DRAWING IS A CONTROLLED DOCUMENT.		DWN: HAMNER 20MAY2005	TE Connectivity
DIMENSIONS: mm		CHK: M. McALONIS 21AUG2006	
TOLERANCES UNLESS OTHERWISE SPECIFIED: 0 PLC ± 0.5 1 PLC ± 0.13 2 PLC ± 0.13 3 PLC ± 0.013 4 PLC ± 0.001 ANGLES ± 0.0001		APVD: M. McALONIS 21AUG2006	NAME: ASSEMBLY, RT ANGLE, AdvancedTCA
		PRODUCT SPEC: 108-2216	RESTRICTED TO: -
MATERIAL: FINISH		APPLICATION SPEC: 114-13156	SIZE: A100779
		WEIGHT: -	CAGE CODE: C=1766500
		Customer Drawing	SCALE: 6:1 SHEET 2 OF 2 REV F