



Chipsmall Limited consists of a professional team with an average of over 10 year of expertise in the distribution of electronic components. Based in Hongkong, we have already established firm and mutual-benefit business relationships with customers from,Europe,America and south Asia,supplying obsolete and hard-to-find components to meet their specific needs.

With the principle of “Quality Parts,Customers Priority,Honest Operation,and Considerate Service”,our business mainly focus on the distribution of electronic components. Line cards we deal with include Microchip,ALPS,ROHM,Xilinx,Pulse,ON,Everlight and Freescale. Main products comprise IC,Modules,Potentiometer,IC Socket,Relay,Connector.Our parts cover such applications as commercial,industrial, and automotives areas.

We are looking forward to setting up business relationship with you and hope to provide you with the best service and solution. Let us make a better world for our industry!



Contact us

Tel: +86-755-8981 8866 Fax: +86-755-8427 6832

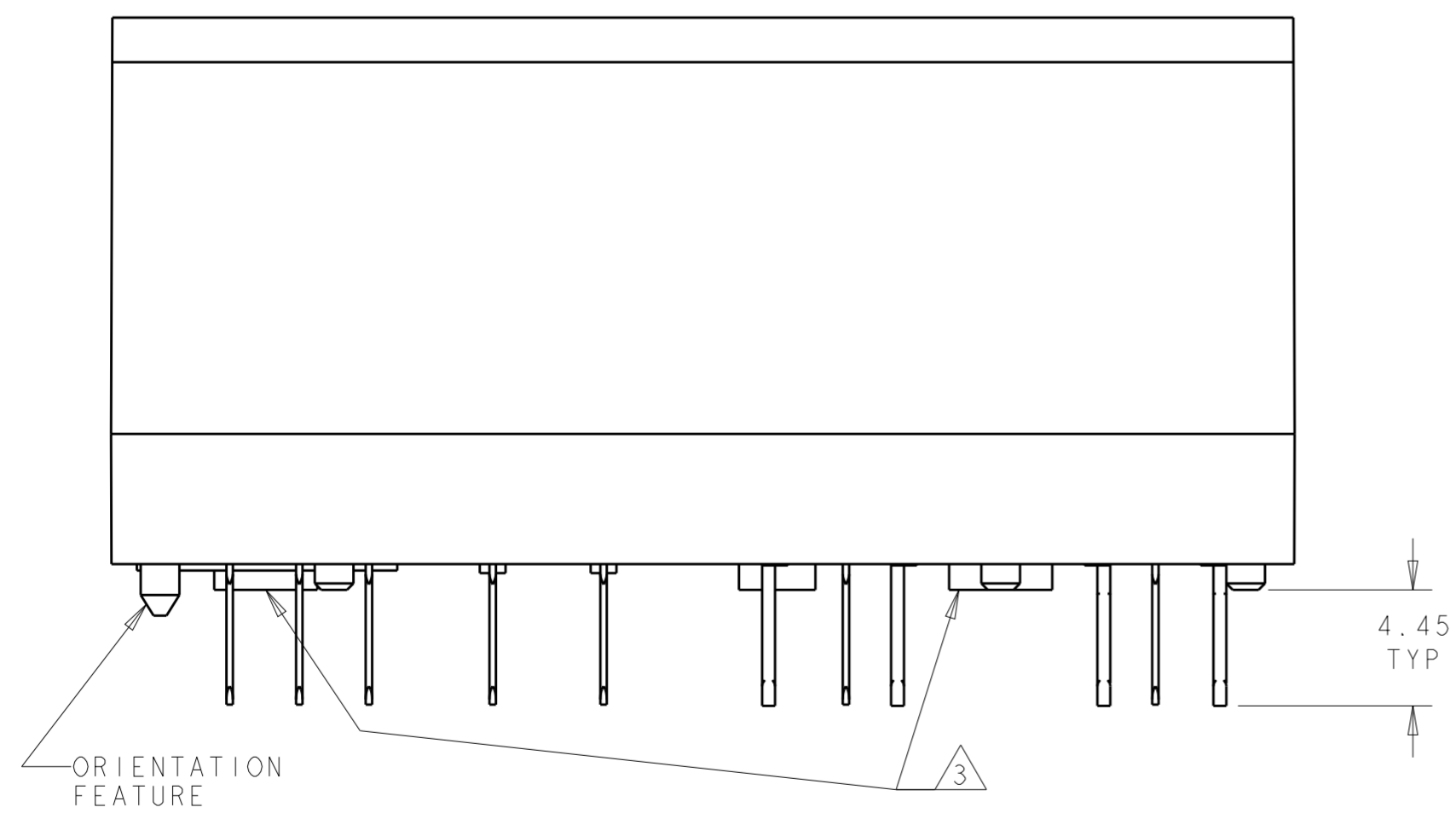
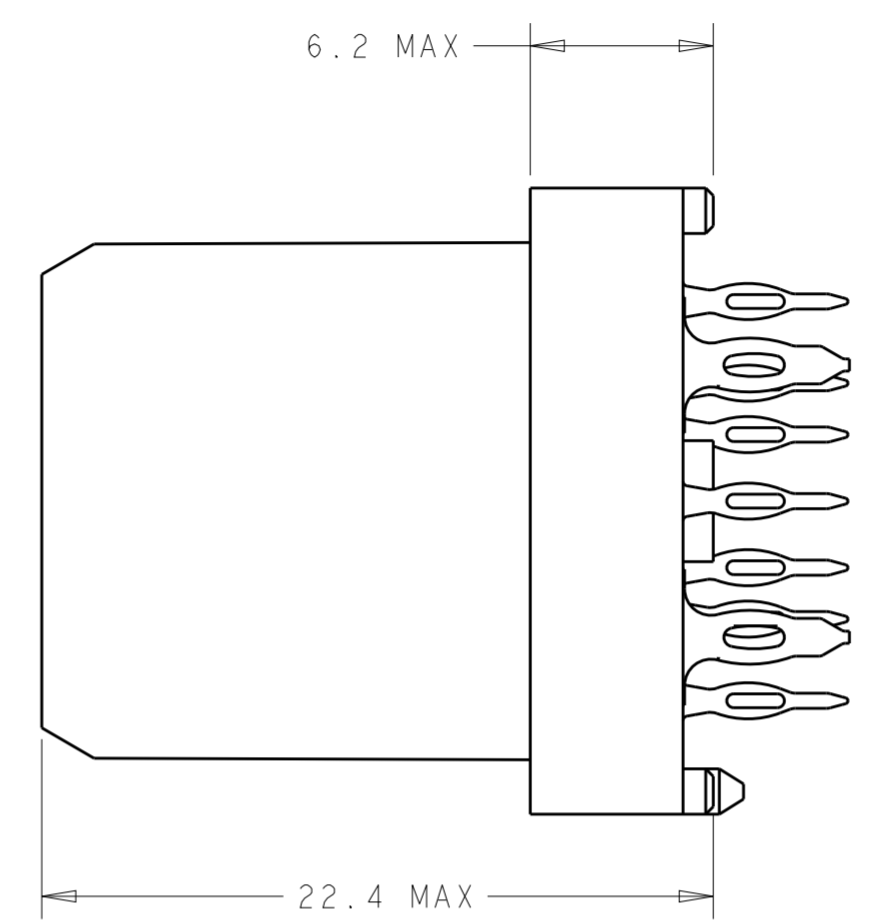
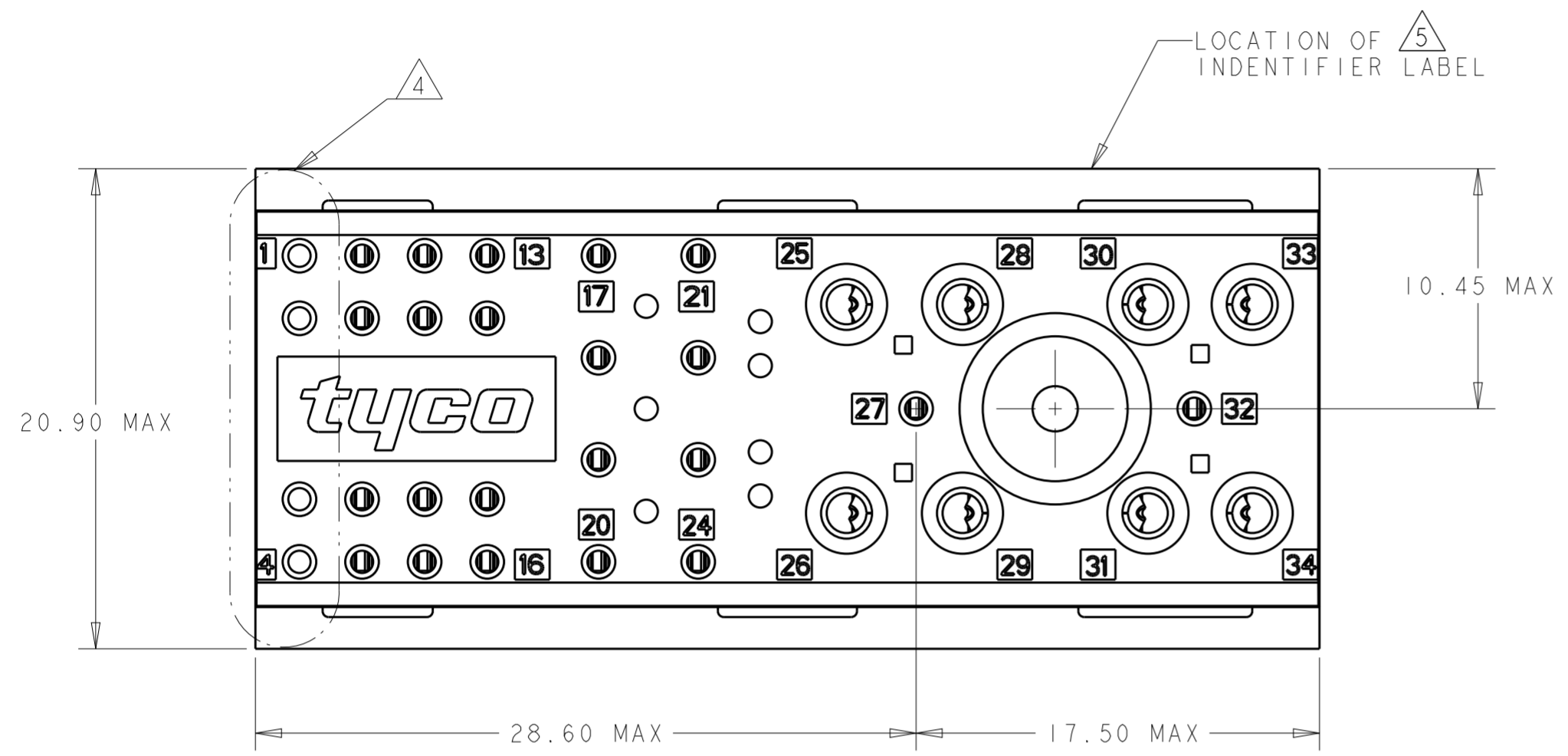
Email & Skype: info@chipsmall.com Web: www.chipsmall.com

Address: A1208, Overseas Decoration Building, #122 Zhenhua RD., Futian, Shenzhen, China



THIS DRAWING IS UNPUBLISHED. RELEASED FOR PUBLICATION 20
 © COPYRIGHT 20 ALL RIGHTS RESERVED.

| LOC | DIST | REVISIONS | | | | | |
|-----|------|-----------|-----|---------------------------|-----------|-----|------|
| GP | 00 | P | LTR | DESCRIPTION | DATE | DWN | APVD |
| | | D3 | | REVISED PER ECO-11-005033 | 05MAY2011 | RK | HMR |
| | | E | | REV PER ECR-12-016995 | 04NOV2012 | OL | SZ |



| | | |
|----------|----------|-----------|
| OBSOLETE | △0 △3 | 1766501-6 |
| OBSOLETE | △0 △9 △2 | 1766501-5 |
| OBSOLETE | △1 △0 △2 | 1766501-4 |
| OBSOLETE | △0 △9 △2 | 1766501-3 |
| | △0 △2 | 1766501-2 |
| | △0 △2 | 1766501-1 |
| | FINISH | PART NO |

THIS DRAWING IS A CONTROLLED DOCUMENT.

DWN L.SIPE 03JUN2005
 CHK J.McCLELLAN 03JUN2005
 APVD - 03JUN2005

STE TE Connectivity

NAME CONNECTOR ASSEMBLY, VERTICAL, BACKPLANE, COMPLIANT PRESS FIT, ADVANCED TCA

PRODUCT SPEC 108-2216
 APPLICATION SPEC 114-13156
 WEIGHT -

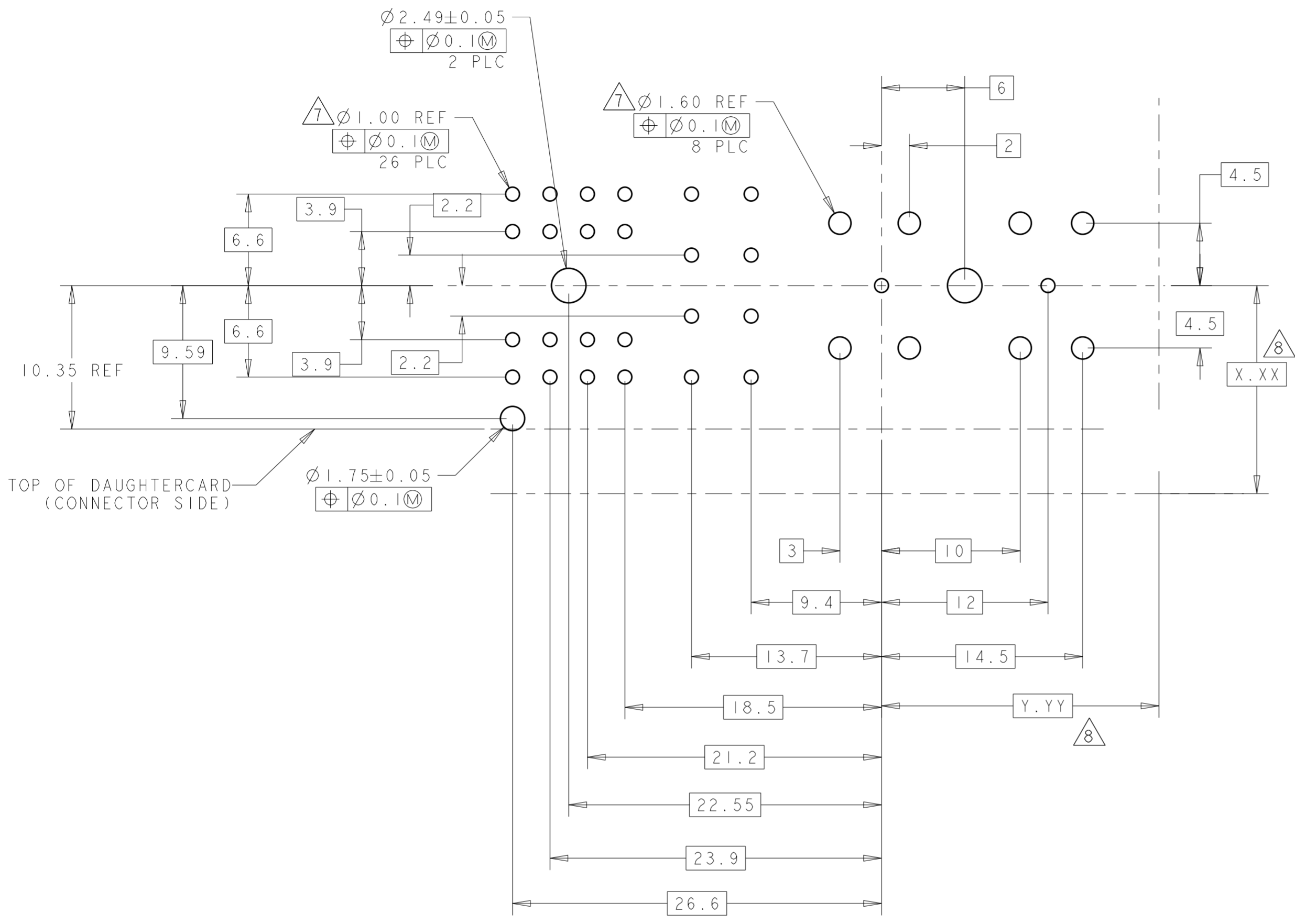
SIZE A2 CAGE CODE 0779 DRAWING NO C-1766501 RESTRICTED TO -

Customer Drawing SCALE 1:1 SHEET 1 OF 2 REV E

1471-9 (3/11)

THIS DRAWING IS UNPUBLISHED. RELEASED FOR PUBLICATION 20
 © COPYRIGHT 20 ALL RIGHTS RESERVED.

| LOC | DIST | REVISIONS | | | | | |
|-----|------|-----------|-----|-------------|------|-----|------|
| GP | 00 | P | LTR | DESCRIPTION | DATE | DWN | APVD |
| | | - | | SEE SHEET 1 | | | |



PCB LAYOUT
 VIEWED FROM CONNECTOR SIDE
 SCALE 7:2

12 FINISHES:
 CONTACTS MATING ZONE: GOLD PLATE, 1.27µm MIN THK
 OVER NICKEL 1.27µm MIN THK.
 SOLDER TAILS: TIN PLATED, 1.27µm MIN THK.
 OVER NICKEL 1.27µm MIN THK.

13 FINISHES:
 CONTACTS MATING ZONE: GOLD PLATE, 1.27µm MIN THK
 OVER NICKEL 1.27µm MIN THK.
 SOLDER TAILS: TIN-LEAD PLATED, 1.27µm MIN THK.
 OVER NICKEL 1.27µm MIN THK.

1 MATERIALS:
 INSULATORS: THERMOPLASTIC, GLASS
 REINFORCED, COLOR-GRAY, UL94V-0
 FLAMMABILITY RATED.
 SIGNAL PINS: COPPER ALLOY.
 POWER CONTACTS: HIGH CONDUCTIVITY
 COPPER ALLOY.

2 FINISHES:
 CONTACTS MATING ZONE: GOLD PLATE, 0.76µm MIN THK
 OVER NICKEL 1.27µm MIN THK.
 SOLDER TAILS: TIN PLATED, 1.27µm MIN THK.
 OVER NICKEL 1.27µm MIN THK.

3 OPTIONAL MOUNTING SCREWS (Ø2.0mm x 5.0mm DP) FOR USE WITH SELF TAPPING
 SCREWS (CUSTOMER SUPPLIED).

4 POSITIONS 1-4 NOT POPULATED AND RESERVED FOR FUTURE USE.

5 ITEMS PROVIDED TO THIS SPECIFICATION TO BE PERMANENTLY
 IDENTIFIED PER THE FOLLOWING IDENTIFIER LABEL:
 YEAR WEEK



6. GENERAL INFORMATION:

| PART NO | SIZE NO | CONTACT QTY | MATING PIN DIA |
|-----------|----------|-------------|----------------|
| 1766501-1 | 16 22 | 8 22 | Ø1.60 Ø0.76 |

7 MANUFACTURING TOLERANCE FOR:
 Ø1.60^{+0.09}_{-0.06} FINISHED HOLE WITH Sn PLATING:
 DRILLED HOLE = Ø1.75±0.025
 COPPER PLATING = 0.025 MIN
 Sn PLATING = 0.008 MIN
 Ø1.00^{+0.09}_{-0.06} FINISHED HOLE WITH Sn PLATING:
 DRILLED HOLE = Ø1.15±0.025
 COPPER PLATING = 0.025 MIN
 Sn PLATING = 0.008 MIN

8 DATUMS AND BASIC DIMENSIONS TO BE ESTABLISHED BY CUSTOMER.

9 FINISHES:
 CONTACTS MATING ZONE: GOLD PLATE, 0.76µm MIN THK
 OVER NICKEL 1.27µm MIN THK.
 SOLDER TAILS: TIN-LEAD PLATED, 1.27µm MIN THK.
 OVER NICKEL 1.27µm MIN THK.

10 CONTACT AREA LUBRICATED WITH BELLCORE
 APPROVED LUBRICANT. TECHNICAL REFERENCE:
 GR-1217-COR, ISSUE1, NOVEMBER 1995

11 PRELIMINARY PART NUMBERS NOT RELEASED FOR PRODUCTION

| | | | | | | | | | | | | | | | | | | |
|--|--------|----------------------------------|-----------------|-------------------|-------------------------|---------------|-------|-------|--------|-------|---|--------|---|--------|---|--------------------------|--|--|
| THIS DRAWING IS A CONTROLLED DOCUMENT. | | DWN L. SIPE 03JUN2005 | TE Connectivity | | | | | | | | | | | | | | | |
| DIMENSIONS: mm | | CHK J. McCLELLAN 03JUN2005 | | | | | | | | | | | | | | | | |
| TOLERANCES UNLESS OTHERWISE SPECIFIED: | | APVD 03JUN2005 | | | | | | | | | | | | | | | | |
| <table border="1"> <tr><td>0 PLC</td><td>±</td></tr> <tr><td>1 PLC</td><td>±</td></tr> <tr><td>2 PLC</td><td>±0.50</td></tr> <tr><td>3 PLC</td><td>±0.250</td></tr> <tr><td>4 PLC</td><td>±</td></tr> <tr><td>ANGLES</td><td>±</td></tr> <tr><td>FINISH</td><td>±</td></tr> </table> | | 0 PLC | ± | 1 PLC | ± | 2 PLC | ±0.50 | 3 PLC | ±0.250 | 4 PLC | ± | ANGLES | ± | FINISH | ± | PRODUCT SPEC 108-2216 | NAME CONNECTOR ASSEMBLY, VERTICAL, BACKPLANE, COMPLIANT PRESS FIT, ADVANCED TCA | |
| 0 PLC | ± | | | | | | | | | | | | | | | | | |
| 1 PLC | ± | | | | | | | | | | | | | | | | | |
| 2 PLC | ±0.50 | | | | | | | | | | | | | | | | | |
| 3 PLC | ±0.250 | | | | | | | | | | | | | | | | | |
| 4 PLC | ± | | | | | | | | | | | | | | | | | |
| ANGLES | ± | | | | | | | | | | | | | | | | | |
| FINISH | ± | | | | | | | | | | | | | | | | | |
| MATERIAL | | APPLICATION SPEC 114-13156 | SIZE A2 | CAGE CODE 0779 | DRAWING NO C-1766501 | RESTRICTED TO | | | | | | | | | | | | |
| | | WEIGHT | SCALE 1:1 | | SHEET 2 OF 2 | REV E | | | | | | | | | | | | |