



Chipsmall Limited consists of a professional team with an average of over 10 year of expertise in the distribution of electronic components. Based in Hongkong, we have already established firm and mutual-benefit business relationships with customers from,Europe,America and south Asia,supplying obsolete and hard-to-find components to meet their specific needs.

With the principle of “Quality Parts,Customers Priority,Honest Operation,and Considerate Service”,our business mainly focus on the distribution of electronic components. Line cards we deal with include Microchip,ALPS,ROHM,Xilinx,Pulse,ON,Everlight and Freescale. Main products comprise IC,Modules,Potentiometer,IC Socket,Relay,Connector.Our parts cover such applications as commercial,industrial, and automotives areas.

We are looking forward to setting up business relationship with you and hope to provide you with the best service and solution. Let us make a better world for our industry!



Contact us

Tel: +86-755-8981 8866 Fax: +86-755-8427 6832

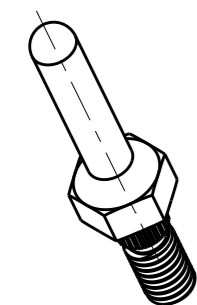
Email & Skype: info@chipsmall.com Web: www.chipsmall.com

Address: A1208, Overseas Decoration Building, #122 Zhenhua RD., Futian, Shenzhen, China

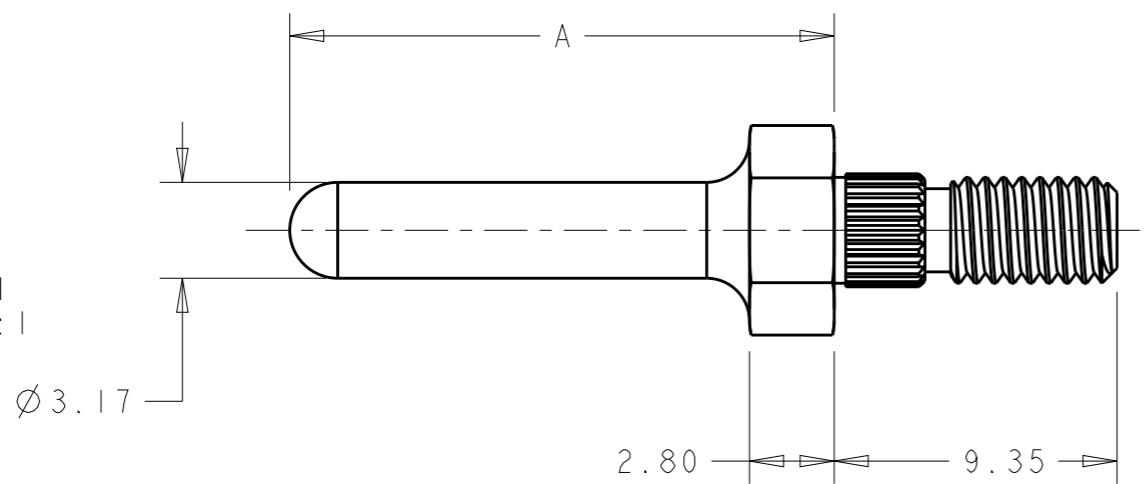


THIS DRAWING IS UNPUBLISHED. RELEASED FOR PUBLICATION 20
 © COPYRIGHT 20 BY - ALL RIGHTS RESERVED.

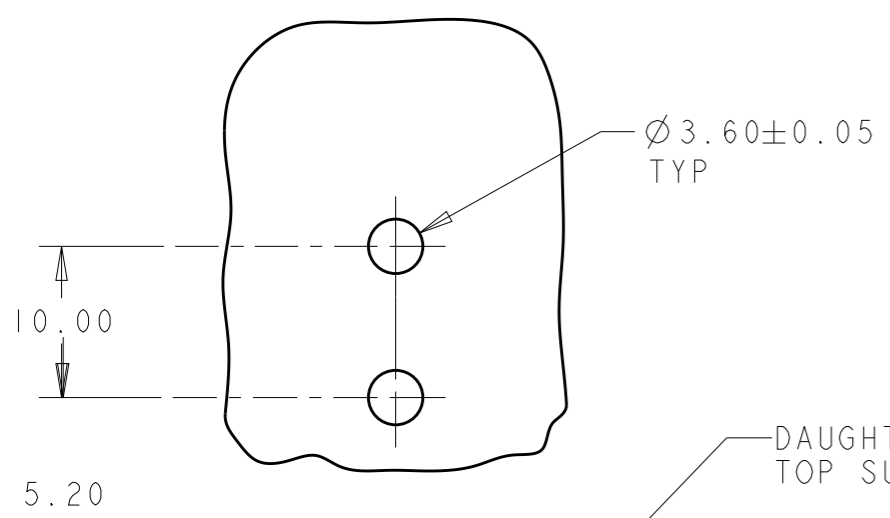
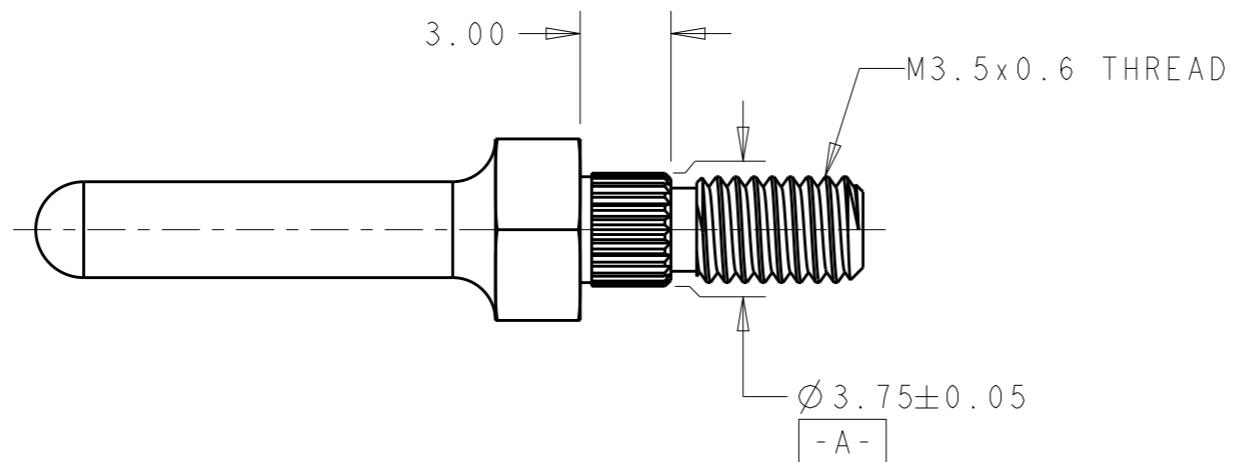
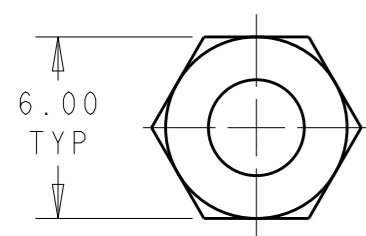
REVISIONS					
P	LTR	DESCRIPTION	DATE	DWN	APVD
	A	RELEASED PER ECO-09-022496	12OCT2009	RG	DO
	A1	REVISED PER ECR-16-003350	04MAR2016	RS	SZ
	A2	REVISED PER ECR-16-016119	21OCT2016	RS	SZ



1766663-1
SCALE 2:1



- 1 MATERIAL: BRASS,
- 2 FINISH: SILVER PLATE OVER NICKEL UNDERPLATE.
- 3. MINIMUM PC BOARD THICKNESS: 3.2mm (.125").
- 4. THIS PRODUCT HAS NOT COMPLETED A VALIDATION TEST.



RECOMENDED PCB LAYOUT

23.00	FIRST MATE	1-1766663-0
21.00	GROUND	1766663-8
20.00	FIRST MATE	1766663-6
18.00	GROUND	1766663-2
16.00	POWER	1766663-1
A	DESCRIPTION	PART NUMBER

THIS DRAWING IS A CONTROLLED DOCUMENT.		DWN B. COSTELLO 12SEP2005	TE Connectivity	
DIMENSIONS: mm		CHK G. D. DEFIBAUGH 10FEB06		
TOLERANCES UNLESS OTHERWISE SPECIFIED:		APVD G. R. DEFIBAUGH 10FEB06	NAME ICCON PIN, 3.17mm DIA., POWER/GUIDE	
0 PLC ±- 1 PLC ±0.5 2 PLC ±0.35 3 PLC ±- 4 PLC ±- ANGLES ±1°		PRODUCT SPEC -	RESTRICTED TO -	
MATERIAL 1	FINISH 2	APPLICATION SPEC -	SIZE A3	CAGE CODE 00779
CUSTOMER DRAWING		WEIGHT -	DRAWING NO C-1766663	SCALE 2:1
			SHEET 1	OF 1
			REV A2	