



Chipsmall Limited consists of a professional team with an average of over 10 year of expertise in the distribution of electronic components. Based in Hongkong, we have already established firm and mutual-benefit business relationships with customers from,Europe,America and south Asia,supplying obsolete and hard-to-find components to meet their specific needs.

With the principle of “Quality Parts,Customers Priority,Honest Operation,and Considerate Service”,our business mainly focus on the distribution of electronic components. Line cards we deal with include Microchip,ALPS,ROHM,Xilinx,Pulse,ON,Everlight and Freescale. Main products comprise IC,Modules,Potentiometer,IC Socket,Relay,Connector.Our parts cover such applications as commercial,industrial, and automotives areas.

We are looking forward to setting up business relationship with you and hope to provide you with the best service and solution. Let us make a better world for our industry!



Contact us

Tel: +86-755-8981 8866 Fax: +86-755-8427 6832

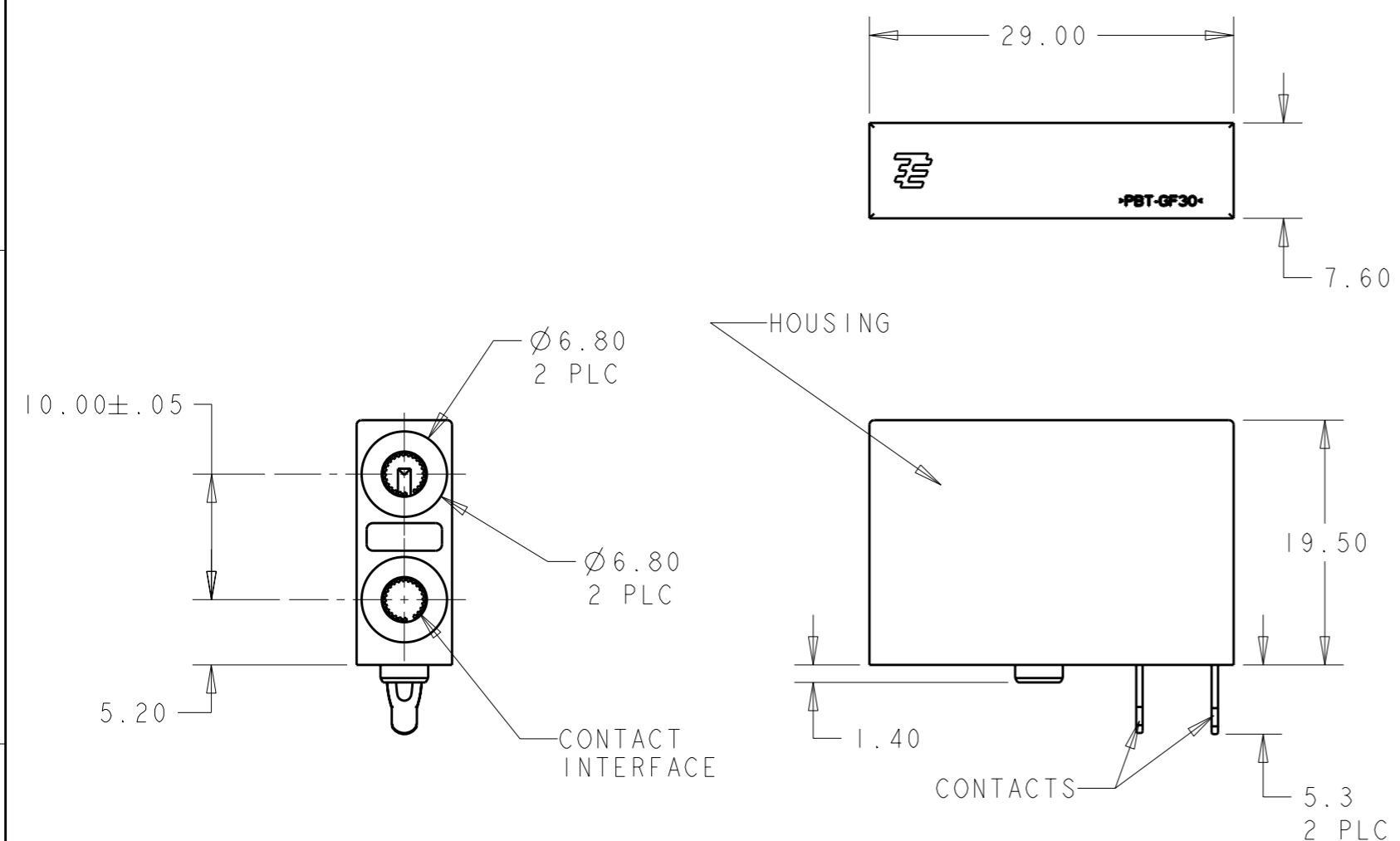
Email & Skype: info@chipsmall.com Web: www.chipsmall.com

Address: A1208, Overseas Decoration Building, #122 Zhenhua RD., Futian, Shenzhen, China



THIS DRAWING IS UNPUBLISHED. RELEASED FOR PUBLICATION 20
 © COPYRIGHT 20 BY TYCO ELECTRONICS CORPORATION. ALL RIGHTS RESERVED.

LOC	DIST	REVISIONS					
		P	LTR	DESCRIPTION	DATE	DWN	APVD
GP	00		C	REV PER ECO-08-018594	07AUG2008	DL	GRD

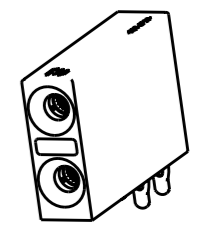
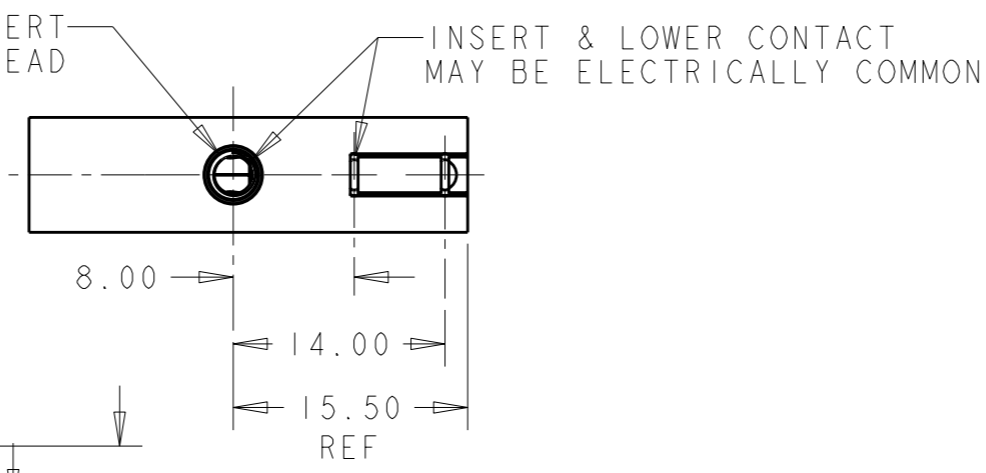
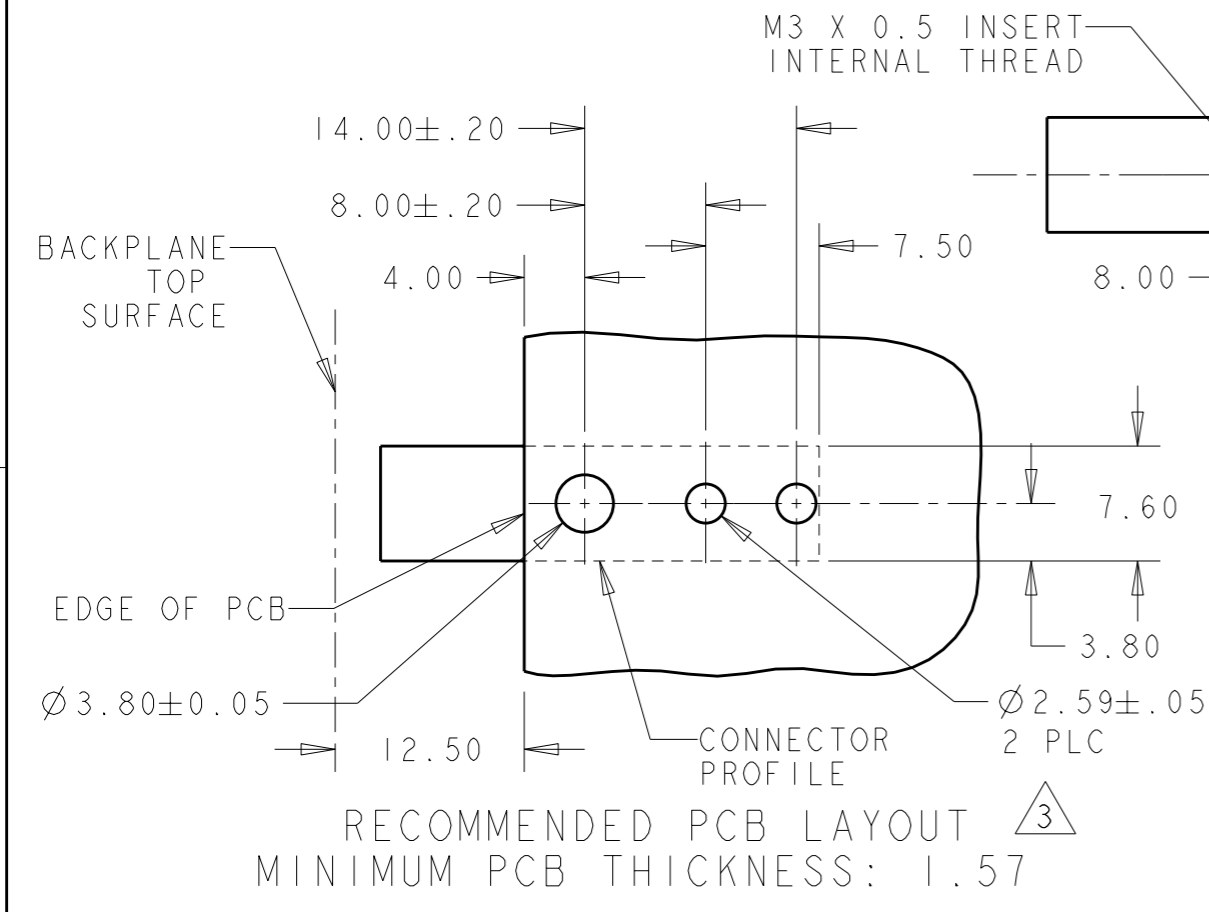


- 1 MATERIALS:
 HOUSING: POLYESTER PBT THERMOPLASTIC, UL 94 V-0
 CONTACT: COPPER ALLOY
 CONTACT INTERFACE: COPPER ALLOY
 INSERT: COPPER ALLOY
- 2 FINISH:
 HOUSING: BLACK
 CONTACT: SILVER PLATE, 5.08 μm MIN THICK, OVER NICKEL UNDERPLATE
 CONTACT INTERFACE: GOLD PLATE, 0.76 μm MIN THICK, OVER NICKEL UNDERPLATE
 INSERT: NONE

3

RECOMMENDED M3 SCREW LENGTH	
PCB THICKNESS	SCREW LENGTH
1.57 [.062"]	3.00
2.36 [.093"]	4.00
3.18 [.125"]	5.00

4. THIS PRODUCT HAS NOT BEEN VALIDATION TESTED



1766664-1
 SCALE 1:1

PART NUMBER 1766664-1

THIS DRAWING IS A CONTROLLED DOCUMENT FOR TYCO ELECTRONICS CORPORATION IT IS SUBJECT TO CHANGE AND THE CONTROLLING ENGINEERING ORGANIZATION SHOULD BE CONTACTED FOR THE LATEST REVISION.

DIMENSIONS:	TOLERANCES UNLESS OTHERWISE SPECIFIED:
mm	
	±
	±0.5
	±0.35
	±
	±
ANGLES	±1°0'
MATERIAL	FINISH
1	2

DWN	29 JULY 2005
B. COSTELLO	
CHK	1 AUG 2005
D. CHAU	
APVD	10 MAR 2006
D. DEFIBAUGH	
PRODUCT SPEC	-
APPLICATION SPEC	-
WEIGHT	-
CUSTOMER DRAWING	

Tyco Electronics Harrisburg, PA 17105-3608	
NAME: 2 POSITION, RIGHT ANGLE, POWER/GUIDE, DIA 3.17mm SOCKET ASSEMBLY	
SIZE	RESTRICTED TO
A3	
CAGE CODE	
00779	
DRAWING NO	
C-1766664	
SCALE	SHEET OF REV
2:1	1 OF 1 C