



Chipsmall Limited consists of a professional team with an average of over 10 year of expertise in the distribution of electronic components. Based in Hongkong, we have already established firm and mutual-benefit business relationships with customers from,Europe,America and south Asia,supplying obsolete and hard-to-find components to meet their specific needs.

With the principle of “Quality Parts,Customers Priority,Honest Operation,and Considerate Service”,our business mainly focus on the distribution of electronic components. Line cards we deal with include Microchip,ALPS,ROHM,Xilinx,Pulse,ON,Everlight and Freescale. Main products comprise IC,Modules,Potentiometer,IC Socket,Relay,Connector.Our parts cover such applications as commercial,industrial, and automotives areas.

We are looking forward to setting up business relationship with you and hope to provide you with the best service and solution. Let us make a better world for our industry!



## Contact us

Tel: +86-755-8981 8866 Fax: +86-755-8427 6832

Email & Skype: info@chipsmall.com Web: www.chipsmall.com

Address: A1208, Overseas Decoration Building, #122 Zhenhua RD., Futian, Shenzhen, China



This drawing involves proprietary design rights of Tyco Electronics Corporation, and all design, manufacture, reproduction, use and sale rights regarding the same are expressly reserved. It is submitted for a specific purpose and the recipient by accepting this drawing, assumes custody and control and agrees to take reasonable precautions; (a) that this drawing will not be copied and reproduced, in whole or in part, or its contents revealed in any manner, or to any person except to meet the purpose for which it was delivered and (b) that any special features peculiar to this design will not be incorporated in other projects without the expressed written permission of Tyco Electronics Corporation.

REVISIONS

EC	REV	DESCRIPTION	DATE
CPR	A	NEW RELEASE	07/28/05

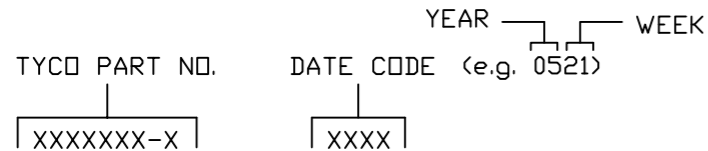
6. CONNECTOR INFORMATION

CONNECTOR	TYCO PART NUMBER	CONFIGURATION REF #	CONTACT	POSITION	CONTACT PITCH	VOLTAGE RATING*
PIN	1766693-1	MPK005	SIGNAL	3-26	2.50 [1.098]	60 VOLTS
			POWER	1-2	6.00 [2.36]	60 VOLTS
			POWER	27-29	7.50 [2.95]	250 VOLTS

\*IAW UL 60950

NOTES: UNLESS OTHERWISE SPECIFIED.

- PART NUMBER CHANGES AND OR DESIGN CHANGES AFFECTING ITEM INTERCHANGEABILITY REQUIRE PRIOR ELCON APPROVAL AND AUTHORIZATION BY REVISION TO THIS DRAWING.
- MATERIALS:  
 INSULATORS: THERMOPLASTIC, GLASS REINFORCED, COLOR-BLACK. UL94V-0 FLAMMABILITY RATED.  
 POWER CONTACTS: COPPER ALLOY.
- FINISHES:  
 CONTACT PLATING: GOLD PLATED PER MIL-G-45204 TYPE II, CLASS 0, .000030" MIN. THICKNESS OVER NICKEL, PER QQ-N-290,  
 TERMINALS: TIN PLATED, MATTE FINISH .000100" MIN. THICKNESS.
- REFER TO DRAWING 997-010 FOR MATING SEQUENCE & MISALIGNMENT.
- ITEMS PROVIDED TO THIS SPECIFICATION TO BE PERMANENTLY IDENTIFIED PER THE FOLLOWING IDENTIFIER.



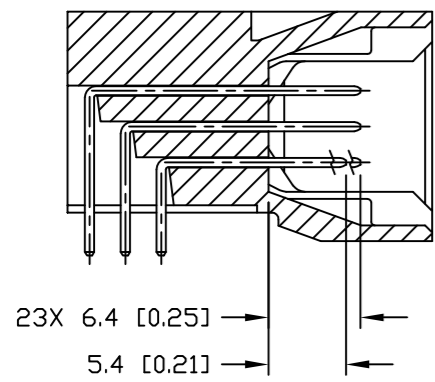
<p>THIRD ANGLE PROJECTION</p> <p>UNLESS OTHERWISE SPECIFIED DIMENSIONS ARE IN METRIC [INCHES]</p> <p>TOLERANCES</p> <p>ANGLES ± .5°</p> <p>DECIMALS</p> <p>.XX ± .25 [.010]</p> <p>.X ± .5 [.020]</p>	<p>MM OR MM [INCH]</p> <p>INCH</p>	<p>DRAWN</p> <p>R. F. A.</p>	<p>DATE</p> <p>06/21/05</p>	<p><b>tyco</b> Tyco Electronics Corporation  <b>Electronics</b> Menlo Park, Ca 94025</p> <p><b>ELCON</b></p>		
	<p>CHECKED</p>		<p>TITLE</p> <p>CONNECTOR, PIN, RIGHT ANGLE          SHORT SOLDER TAILS, MINIPAK          PN 1766693-1</p>			
	<p>APPROVED</p>		<p>APPROVED</p> <p>D. CHAU 07/28/05</p>		<p>SIZE</p> <p>B</p>	<p>DWG NUMBER</p> <p>C = 1766693</p>
	<p>APPROVED</p> <p>M. ALIM 07/28/05</p>		<p>ACAD FILE NUMBER</p> <p>C1766693A.DWG</p>		<p>REV.</p> <p>A</p>	<p>DWG SCALE 1=1</p> <p>SH 1 OF 3</p>

This drawing involves proprietary design rights of Tyco Electronics Corporation, and all design, manufacture, reproduction, use and sale rights regarding the same are expressly reserved. It is submitted for a specific purpose and the recipient by accepting this drawing, assumes custody and control and agrees to take reasonable precautions; (a) that this drawing will not be copied and reproduced, in whole or in part, or its contents revealed in any manner, or to any person except to meet the purpose for which it was delivered and (b) that any special features peculiar to this design will not be incorporated in other projects without the expressed written permission of Tyco Electronics Corporation.

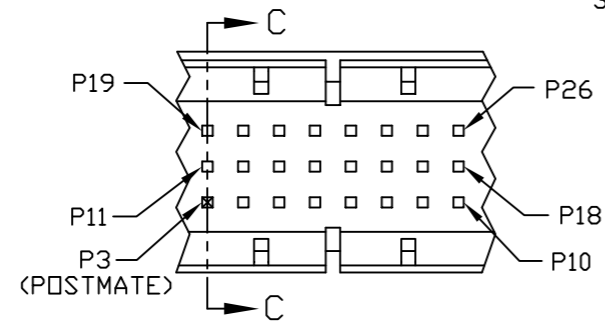
REVISIONS			
EC	REV	DESCRIPTION	DATE
		SEE SHEET 1	

B

B

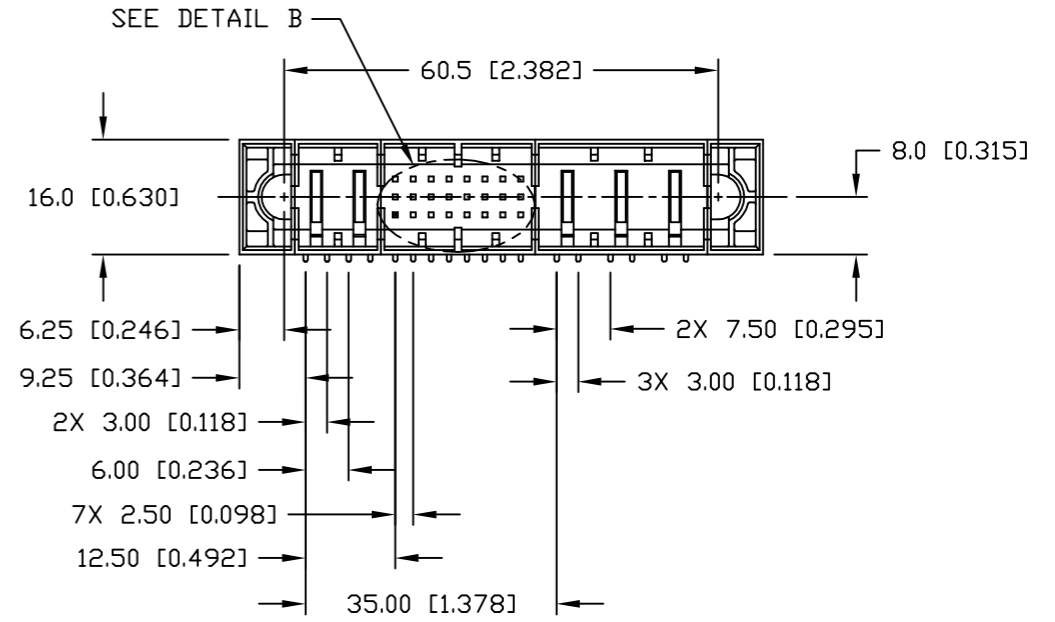
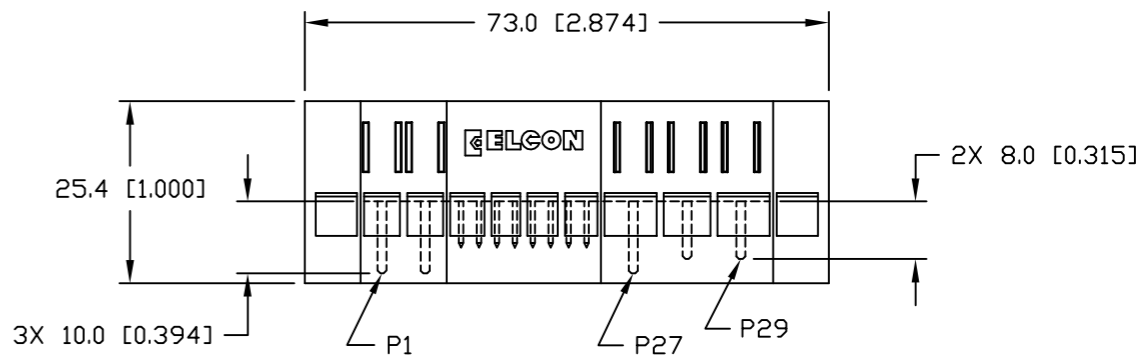
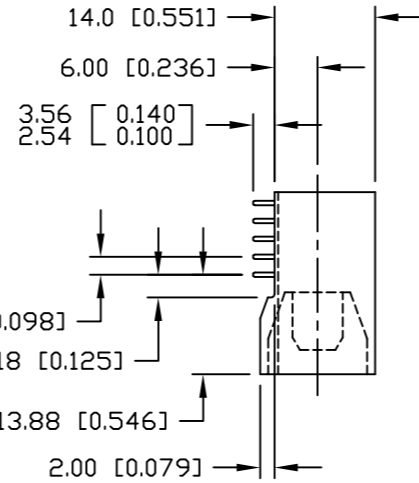


SECTION C-C



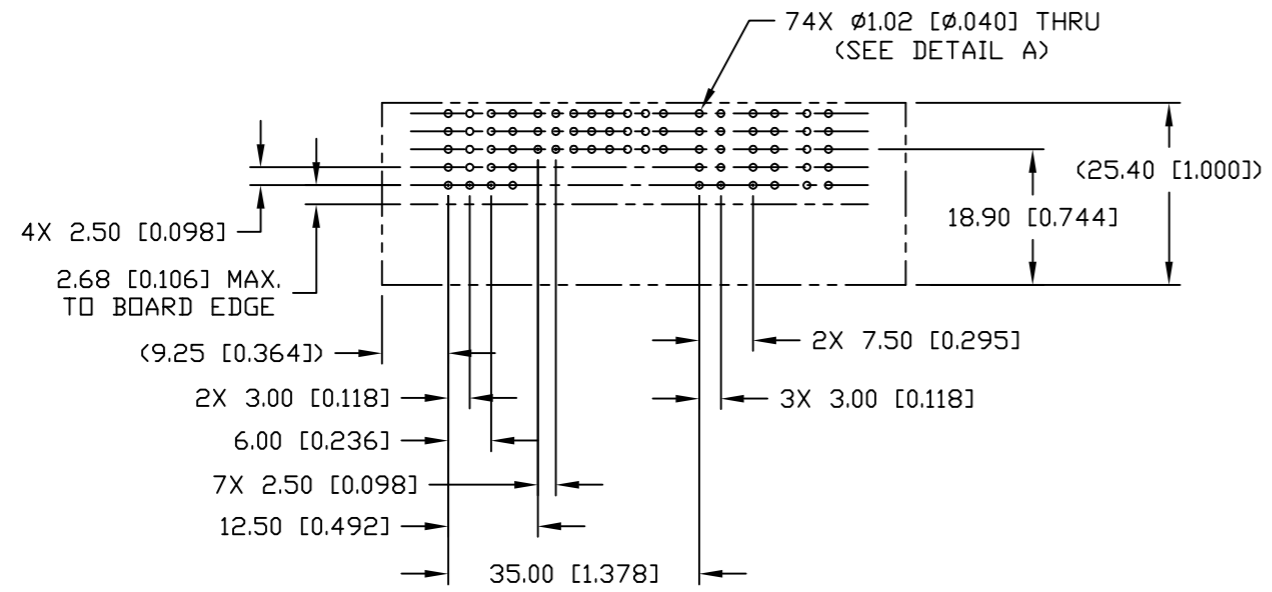
DETAIL B

KEY:  
 ☒ POSTMATE PIN  
 □ STANDARD PIN (23 PLACES)



A

A



RECOMMENDED PC LAYOUT

← MM OR MM [INCH]  THIRD ANGLE PROJECTION UNLESS OTHERWISE SPECIFIED DIMENSIONS ARE IN METRIC [INCHES] TOLERANCES ANGLES ± .5° DECIMALS .XX ± .25 [.010] .X ± .5 [.020]	DRAWN R. F. A.	DATE 06/21/05	 Tyco Electronics Corporation Menlo Park, Ca 94025 	TITLE CONNECTOR, PIN, RIGHT ANGLE SHORT SOLDER TAILS, MINIPAK PN 1766693-1		
	CHECKED	APPROVED		APPROVED	SIZE B	DWG NUMBER C = 1766693
	APPROVED	D. CHAU	07/28/05	M. ALIM	07/28/05	REV. A
	ACAD FILE NUMBER C1766693A.DWG	DWG SCALE 1=1		SH 2 OF 3		

4

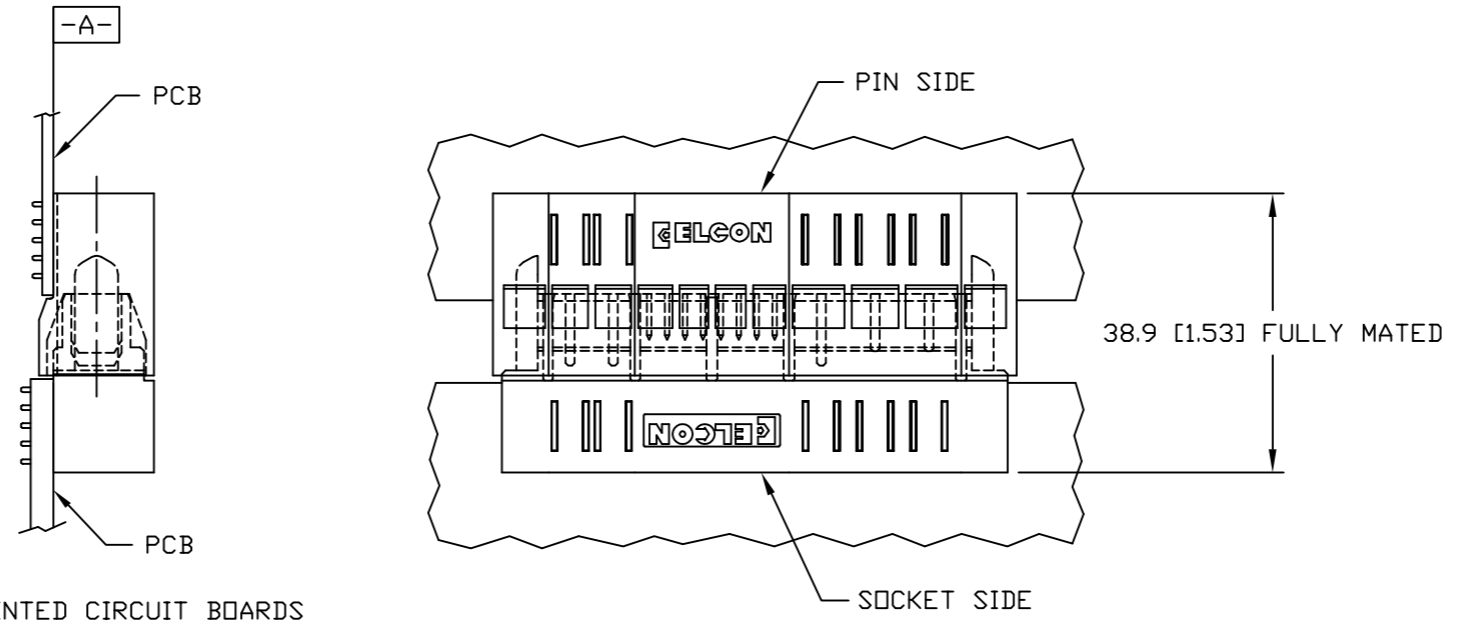
3

2

1

This drawing involves proprietary design rights of Tyco Electronics Corporation, and all design, manufacture, reproduction, use and sale rights regarding the same are expressly reserved. It is submitted for a specific purpose and the recipient by accepting this drawing, assumes custody and control and agrees to take reasonable precautions; (a) that this drawing will not be copied and reproduced, in whole or in part, or its contents revealed in any manner, or to any person except to meet the purpose for which it was delivered and (b) that any special features peculiar to this design will not be incorporated in other projects without the expressed written permission of Tyco Electronics Corporation.

REVISIONS			
EC	REV	DESCRIPTION	DATE
		SEE SHEET 1	



NOTE: PRINTED CIRCUIT BOARDS ARE AT THE SAME DATUM A.

MATED CONDITION

DETAIL A

COMPLIANT TERMINATION AREA

RECOMMENDED PRINTED CIRCUIT HOLE FOR COMPLIANT PRESS FIT  
 FINISHED HOLE:  $\phi 1.02$  [.040]  $\pm .08$  [.003]  
 DRILLED HOLE:  $\phi 1.15$  [.0453]  $\pm .013$  [.0005]  
 COPPER PLATE: .025 [.0010] MINIMUM (PER SURFACE)  
 TIN PLATE: .008 [.0003] MINIMUM (PER SURFACE)

<p>THIRD ANGLE PROJECTION</p> <p>UNLESS OTHERWISE SPECIFIED DIMENSIONS ARE IN METRIC [INCHES]</p> <p>TOLERANCES</p> <p>ANGLES <math>\pm .5^\circ</math></p> <p>DECIMALS</p> <p>.XX <math>\pm .25</math> [.010]          .X <math>\pm .5</math> [.020]</p>	<p>MM OR MM [INCH]</p>	<p>DRAWN</p> <p>R. F. A.</p>	<p>DATE</p> <p>06/21/05</p>	<p><b>tyco</b> Tyco Electronics Corporation  <b>Electronics</b> Menlo Park, Ca 94025</p>		<p><b>ELCON</b></p>		
	<p>CHECKED</p>	<p>APPROVED</p>	<p>APPROVED</p>	<p>TITLE</p> <p>USER INFORMATION AND MATED CONDITION            PN 1766693-1</p>				
	<p>D. CHAU</p>	<p>DCA APPROVED</p>	<p>M. ALIM</p>	<p>DATE</p> <p>07/28/05</p>	<p>DATE</p> <p>07/28/05</p>	<p>SIZE</p> <p>B</p>	<p>DWG NUMBER</p> <p>C = 1766693</p>	<p>REV.</p> <p>A</p>
	<p>ACAD FILE NUMBER</p> <p>C1766693A.DWG</p>			<p>DWG SCALE</p> <p>1 = 1</p>	<p>SH 3 OF 3</p>			