



Chipsmall Limited consists of a professional team with an average of over 10 year of expertise in the distribution of electronic components. Based in Hongkong, we have already established firm and mutual-benefit business relationships with customers from,Europe,America and south Asia,supplying obsolete and hard-to-find components to meet their specific needs.

With the principle of “Quality Parts,Customers Priority,Honest Operation,and Considerate Service”,our business mainly focus on the distribution of electronic components. Line cards we deal with include Microchip,ALPS,ROHM,Xilinx,Pulse,ON,Everlight and Freescale. Main products comprise IC,Modules,Potentiometer,IC Socket,Relay,Connector.Our parts cover such applications as commercial,industrial, and automotives areas.

We are looking forward to setting up business relationship with you and hope to provide you with the best service and solution. Let us make a better world for our industry!



Contact us

Tel: +86-755-8981 8866 Fax: +86-755-8427 6832

Email & Skype: info@chipsmall.com Web: www.chipsmall.com

Address: A1208, Overseas Decoration Building, #122 Zhenhua RD., Futian, Shenzhen, China



4

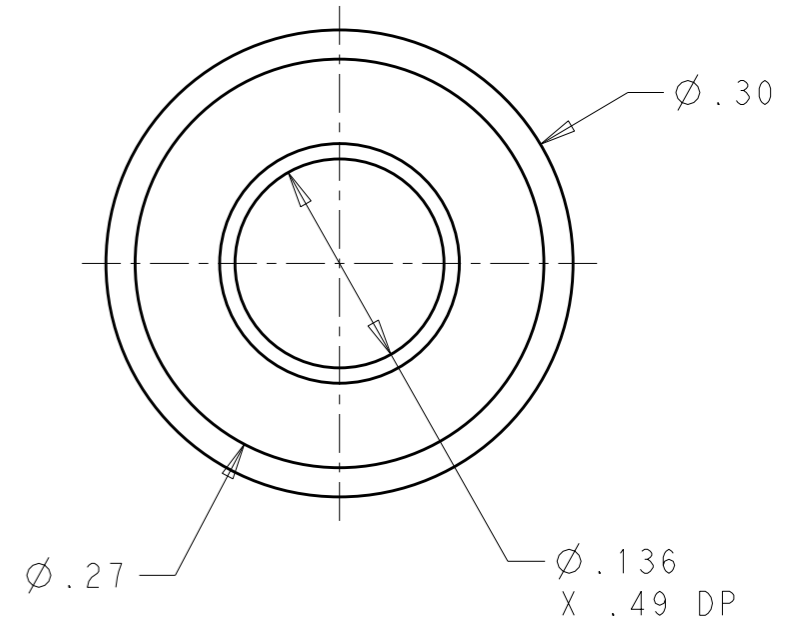
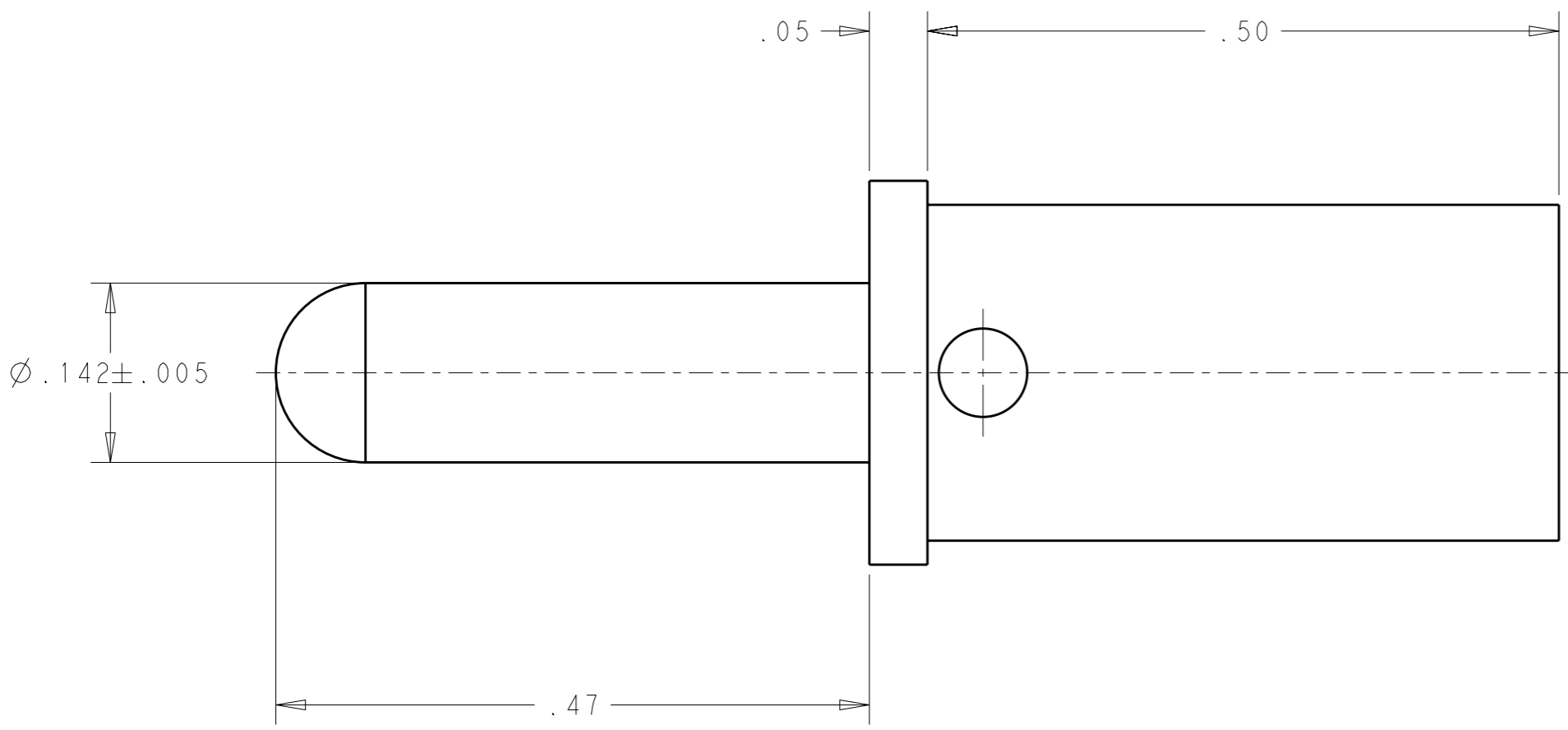
3

2

1


THIS DRAWING IS UNPUBLISHED. RELEASED FOR PUBLICATION 20
 © COPYRIGHT 20 BY - ALL RIGHTS RESERVED.

| LOC | DIST | REVISIONS | | | |
|-----|------|-------------|-----------------------|-----------|-------|
| P | LTR | DESCRIPTION | DATE | DWN | APVD |
| GP | 00 | C | REV PER ECO-11-007264 | 14APR2011 | RG DO |
| | | | | | |
| | | | | | |



- PART NUMBER CHANGES AND/OR DESIGN CHANGES AFFECTING ITEM INTERCHANGEABILITY REQUIRE PRIOR TYCO ELECTRONICS APPROVAL AND AUTHORIZATION BY REVISION TO THIS DRAWING.
- ITEMS PROVIDED TO THIS SPECIFICATION SHALL BE IDENTIFIED ON THE CONTAINER WITH THE FOLLOWING INFORMATION: PART NUMBER AND DATE CODE OF MANUFACTURE.
- MATERIAL: COPPER ALLOY
- FINISH: SILVER PLATE .00200 MIN THK. OVER NICKEL .000040 MIN THK.

1766816-1
PART NUMBER

| | | | | | | | | | | | | | | | | |
|--|-------|------------------------------------|---|-------|----|-------|----|-------|-------|-------|----|--------|-----|----------------|------------------------|--|
| THIS DRAWING IS A CONTROLLED DOCUMENT. | | DWN 11JAN2011 LOVATO/GRZYBOWSKI |  TE Connectivity | | | | | | | | | | | | | |
| DIMENSIONS: INCHES | | CHK D. ORRIS | | | | | | | | | | | | | | |
| TOLERANCES UNLESS OTHERWISE SPECIFIED: | | APVD 11JAN2011 D. ORRIS | NAME CONTACT, PIN SIZE No.8 No.10 CRIMP BARREL ICCON | | | | | | | | | | | | | |
| <table border="0"> <tr><td>0 PLC</td><td>±-</td></tr> <tr><td>1 PLC</td><td>±-</td></tr> <tr><td>2 PLC</td><td>±-</td></tr> <tr><td>3 PLC</td><td>±.020</td></tr> <tr><td>4 PLC</td><td>±-</td></tr> <tr><td>ANGLES</td><td>±.5</td></tr> </table> | | 0 PLC | ±- | 1 PLC | ±- | 2 PLC | ±- | 3 PLC | ±.020 | 4 PLC | ±- | ANGLES | ±.5 | PRODUCT SPEC - | SIZE A300779 C-1766816 | |
| 0 PLC | ±- | | | | | | | | | | | | | | | |
| 1 PLC | ±- | | | | | | | | | | | | | | | |
| 2 PLC | ±- | | | | | | | | | | | | | | | |
| 3 PLC | ±.020 | | | | | | | | | | | | | | | |
| 4 PLC | ±- | | | | | | | | | | | | | | | |
| ANGLES | ±.5 | | | | | | | | | | | | | | | |
| MATERIAL - | | APPLICATION SPEC - | RESTRICTED TO - | | | | | | | | | | | | | |
| FINISH - | | WEIGHT - | SCALE 8:1 SHEET 1 OF 1 REV C | | | | | | | | | | | | | |
| CUSTOMER DRAWING | | | | | | | | | | | | | | | | |