



Chipsmall Limited consists of a professional team with an average of over 10 year of expertise in the distribution of electronic components. Based in Hongkong, we have already established firm and mutual-benefit business relationships with customers from,Europe,America and south Asia,supplying obsolete and hard-to-find components to meet their specific needs.

With the principle of “Quality Parts,Customers Priority,Honest Operation,and Considerate Service”,our business mainly focus on the distribution of electronic components. Line cards we deal with include Microchip,ALPS,ROHM,Xilinx,Pulse,ON,Everlight and Freescale. Main products comprise IC,Modules,Potentiometer,IC Socket,Relay,Connector.Our parts cover such applications as commercial,industrial, and automotives areas.

We are looking forward to setting up business relationship with you and hope to provide you with the best service and solution. Let us make a better world for our industry!



## Contact us

Tel: +86-755-8981 8866 Fax: +86-755-8427 6832

Email & Skype: info@chipsmall.com Web: www.chipsmall.com

Address: A1208, Overseas Decoration Building, #122 Zhenhua RD., Futian, Shenzhen, China



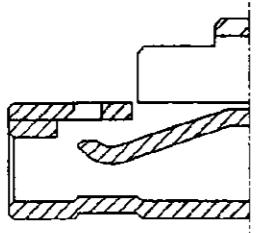
NUMBER  
C-176758

三角法 (3rd ANGLE PROJECTION)

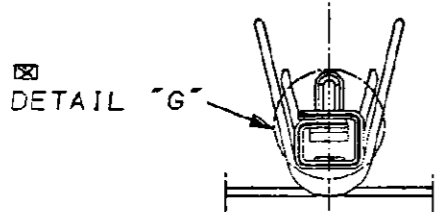
METRIC

DEPT S170SE16845XU.399-355>J.CAD>S.176758 R.1.C PROJ NO. 399-355  
単位: ㎜ DIMENSIONS IN MM. DO NOT SCALE PRINT

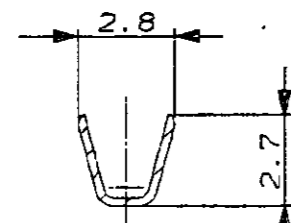
PRINT DIST  
REV. 10/89



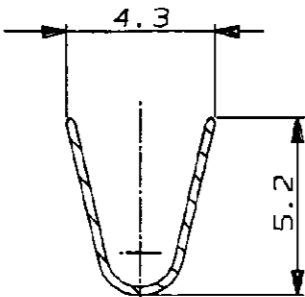
断面  
SECT "A"- "A"  
(SCALE 10-1)



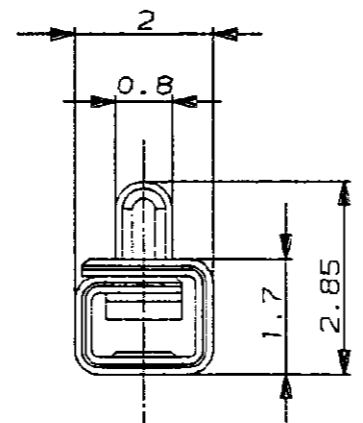
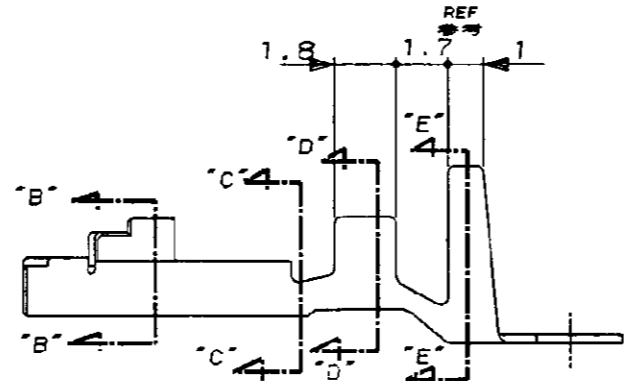
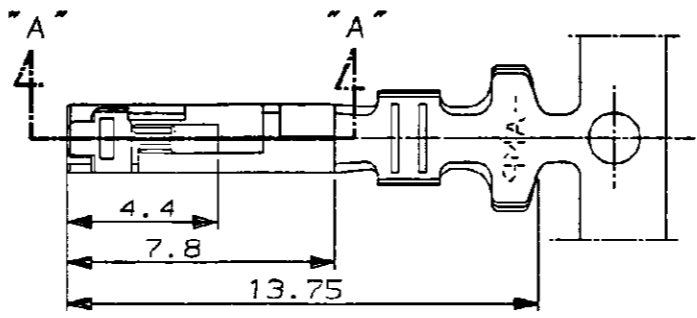
DETAIL "G"



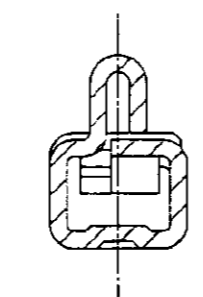
断面  
SECT "D"- "D"



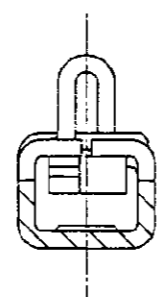
断面  
SECT "E"- "E"



DETAIL "G"  
(SCALE 10-1)



断面  
SECT "B"- "B"  
(SCALE 10-1)



断面  
SECT "C"- "C"  
(SCALE 10-1)

NOTES;

- SPECIFICATION:  
PRODUCT SPEC ; 108-5315  
APPLICATION SPEC ; 114-5147
- INSTRUCTION SHEET ; IS-507J
- LOOSE PIECE P/N ; 176847-1.

注記;

- 適用規格  
製品規格 ; 108-5315  
取付適用規格 ; 114-5147
- 取扱い説明書 ; IS-507J
- バラ状コンタクト型番 ; 176847-1

本図  
P/N -1 AS SHOWN.

				Copyright © 1990 年 AMP (Japan) LTD. ALL RIGHTS RESERVED.		<b>AMP</b> 日本エー・エム・ピー株式会社 Tokyo, Japan	
				適合電線断面積 (WIRE RANGE)	絶縁外径 (INSULATION DIA.)	名称 (NAME)	
B	REVISED	ECN NO. FJ00-0525-94	I.E.Y.Y	31-MAY-'94	0.5-1.42 mm <sup>2</sup> (AWG20-16)	リセプタクル コンタクト、アンブ ラティス コネクター RECEPTACLE CONTACT, AMP LATTICE CONNECTOR.	
A1	REVISED	ECN NO. J-12659	I.E.S.M	22-NOV-'90	材料 (MATERIAL) 黄銅 BRASS	仕上 (FINISH) プリティン PRE-TIN	
A	ADDED -2-	ECN NO. J-12659	F.F.S.M	31-JAN-'80	DR. 15-NOV-'89 F.FUTATSUGI	DE. 15-NOV-'89 F.FUTATSUGI	
O	RELEASED	ECN NO. J-12659	F.F.S.M	15-NOV-'89	CHK. 15-NOV-'89 S.MANABE	APP. 15-NOV-'89 S.MANABE	
LTR	変更 (REVISION RECORD)			DR	CHK	DATE	
				一般公差 (GENERAL TOLERANCE)		LOC 番号 (No.)	
				10mm以下: ±0.2 10mm以上 30mm以下: ±0.25 30mm以上 100mm以下: ±0.3 角 度: ±3°		B J C-176758	
				尺度 (SCALE)		REV.	SHEET
				5-1		B	1 OF 1

(CUSTOMER DRAWING) 参 考 面