



Chipsmall Limited consists of a professional team with an average of over 10 year of expertise in the distribution of electronic components. Based in Hongkong, we have already established firm and mutual-benefit business relationships with customers from,Europe,America and south Asia,supplying obsolete and hard-to-find components to meet their specific needs.

With the principle of “Quality Parts,Customers Priority,Honest Operation,and Considerate Service”,our business mainly focus on the distribution of electronic components. Line cards we deal with include Microchip,ALPS,ROHM,Xilinx,Pulse,ON,Everlight and Freescale. Main products comprise IC,Modules,Potentiometer,IC Socket,Relay,Connector.Our parts cover such applications as commercial,industrial, and automotives areas.

We are looking forward to setting up business relationship with you and hope to provide you with the best service and solution. Let us make a better world for our industry!



## Contact us

Tel: +86-755-8981 8866 Fax: +86-755-8427 6832

Email & Skype: info@chipsmall.com Web: www.chipsmall.com

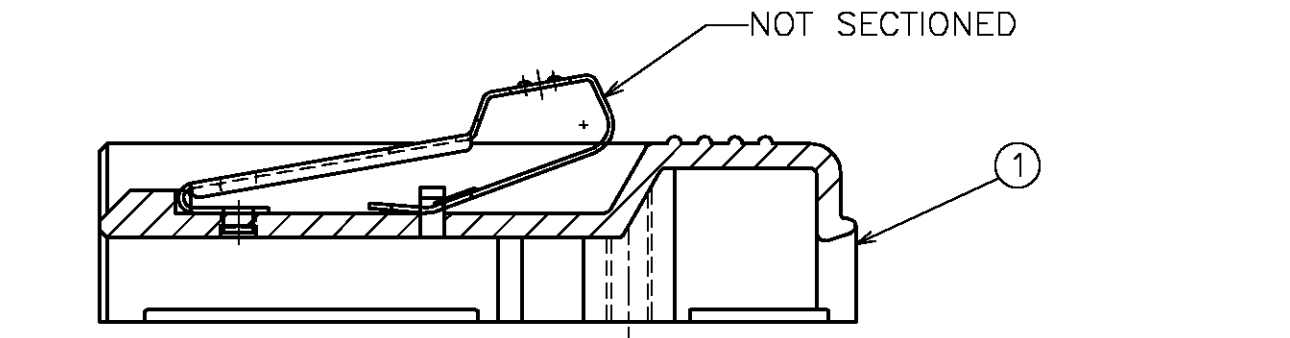
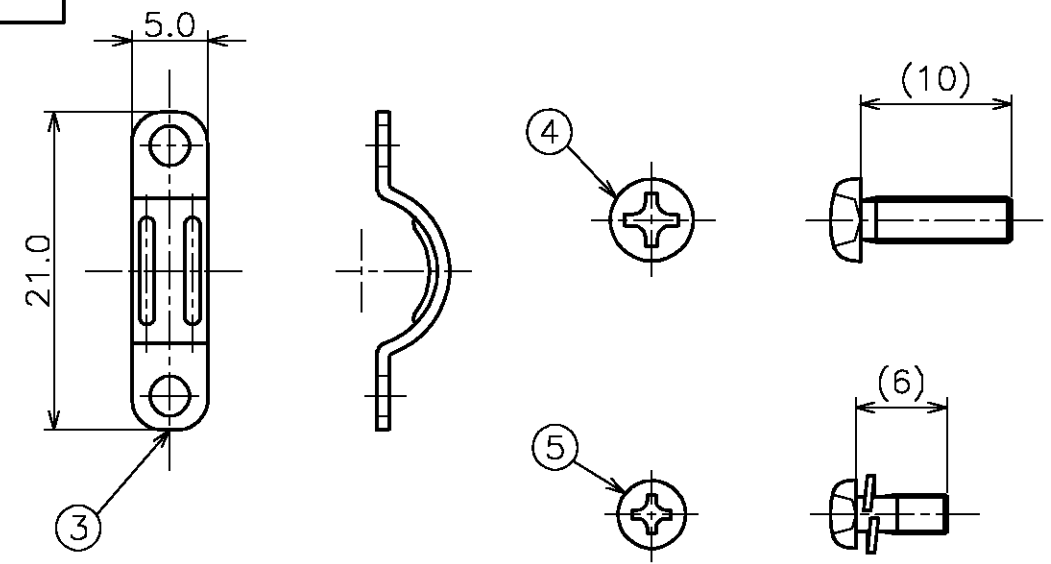
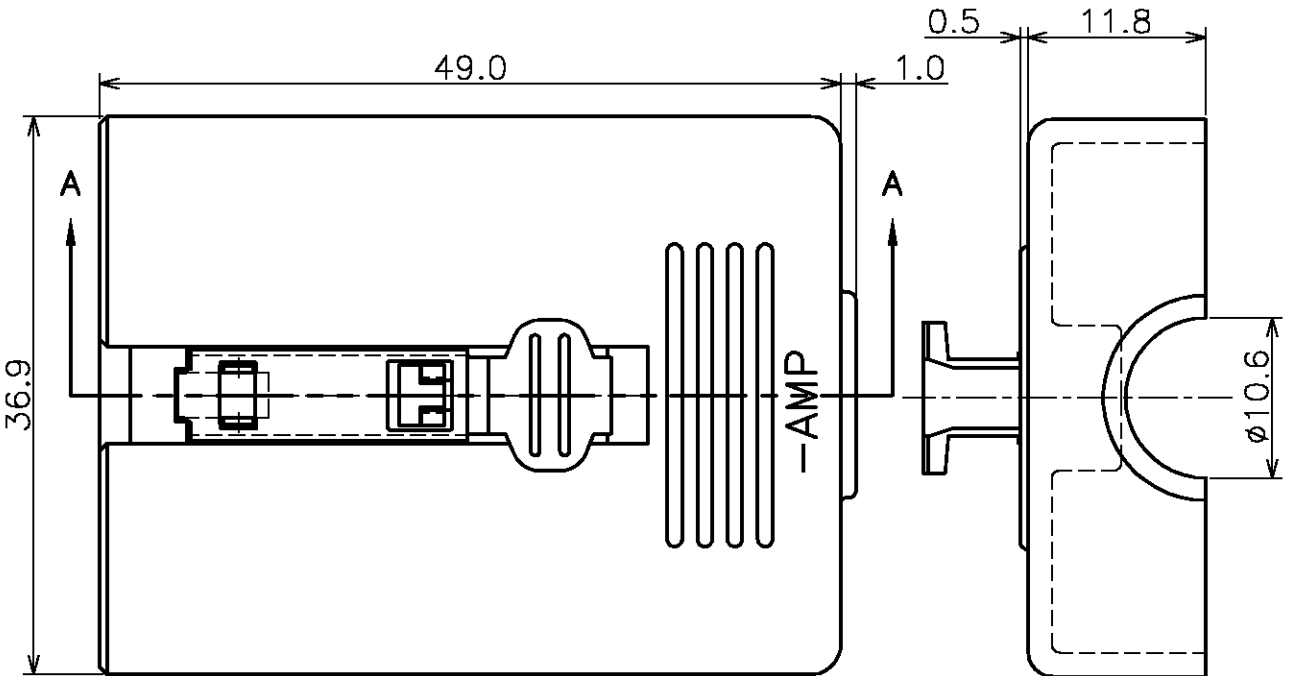
Address: A1208, Overseas Decoration Building, #122 Zhenhua RD., Futian, Shenzhen, China



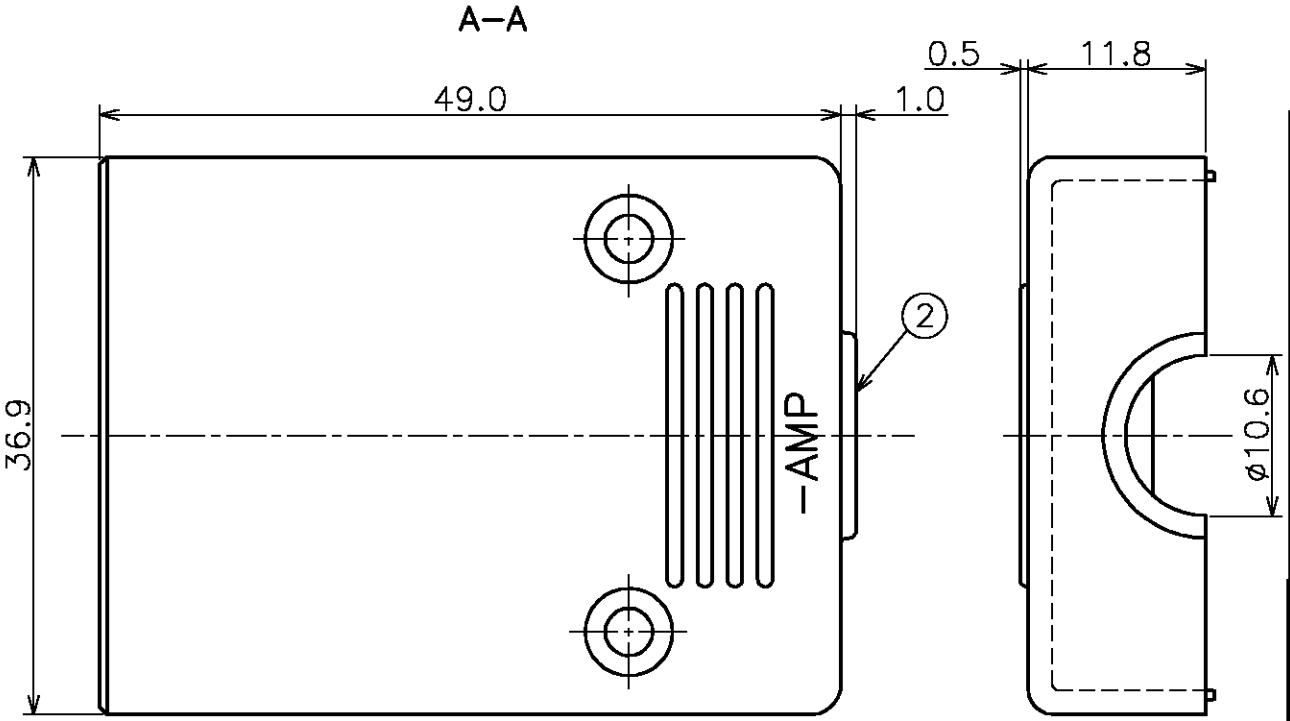
THIS DRAWING IS UNPUBLISHED. RELEASED FOR PUBLICATION MAY, 1990.  
 © COPYRIGHT 1990 BY TYCO ELECTRONICS CORPORATION. ALL RIGHTS RESERVED.

LOC	DIST	REVISIONS					
J		P	LTR	DESCRIPTION	DATE	DWN	APVD
		D		REVISED FJB0-0314-03	22APR03	H.H	T.K

-1 ; AS SHOWN  
本図



- 1 APPLICABLE SPECIFICATIONS  
 PRODUCT SPEC. : 108-5315  
 APPLICATION SPEC. : 114-5147  
 2 INSTRUCTION SHEET : 411-5507  
 3 GENERAL TOLERANCE  
 0 < \* ≤ 10 : ±0.2  
 10 < \* ≤ 30 : ±0.25  
 30 < \* ≤ 100 : ±0.3  
 ANGLES : ±3'
- 1 適用規格  
 製品規格 : 108-5315  
 取付適用規格 : 114-5147  
 2 取扱説明書 : 411-5507  
 3 一般公差  
 0 < \* ≤ 10 : ±0.2  
 10 < \* ≤ 30 : ±0.25  
 30 < \* ≤ 100 : ±0.3  
 ANGLES : ±3'



QTY	材料及び仕上 MATERIAL & FINISH	名称 NAME	型番 P/N	ITEM NO.
2	STEEL, NICKEL PLATED スチール, ニッケルめっき	M2.6 SCREW WITH SPRING WASHER FOR CABLE CLAMP. M2.6ねじ スプリング付き(ケーブル クランプ用)	175825-1	5
2	STEEL, NICKEL PLATED スチール, ニッケルめっき	M3 SCREW(FOR COVER) M3ねじ(カバー用)	175824-1	4
1	STEEL, NICKEL PLATED スチール, ニッケルめっき	CLAMP クランプ	176832-1	3
1	ZINC ALLOY, Ni PLATED 亜鉛, ニッケルめっき	COVER "B" 28POS. カバー"B" 28極	176831-1	2
1	ZINC ALLOY, Ni PLATED 亜鉛, ニッケルめっき	COVER "A" WITH LOCK LEVER 28POS. カバー"A" ロックレバー付き 28極	176881-1	1

THIS DRAWING IS A CONTROLLED DOCUMENT.		DWN T.FUTATSUGI 08MAY90	Tyco Electronics AMP K.K. Kawasaki, Japan	
		CHK S.MANABE 08MAY90		
DIMENSIONS: 単位: 概 MM		APVD S.MANABE 08MAY90	NAME 名称 アンプ ラティス コネクター ケーブル クランプ キット 28極 AMP LATTICE CONN. CABLE CLAMP KIT 28POS.	
TOLERANCES UNLESS OTHERWISE SPECIFIED: 一般公差		PRODUCT SPEC 製品規格 SEE NOTE	SIZE A3	
0 PLC ± 1 PLC ± 2 PLC ± 3 PLC ± 4 PLC ± ANGLES ±		APPLICATION SPEC 取付適用規格 SEE NOTE	CAGE CODE 00779	DRAWING NO C-176765
MATERIAL 材料 SEE TABLE 表参照		WEIGHT	RESTRICTED TO	SCALE 尺度 2:1
FINISH 仕上 SEE TABLE 表参照		CUSTOMER DRAWING		SHEET 1 OF 4

4

3

2

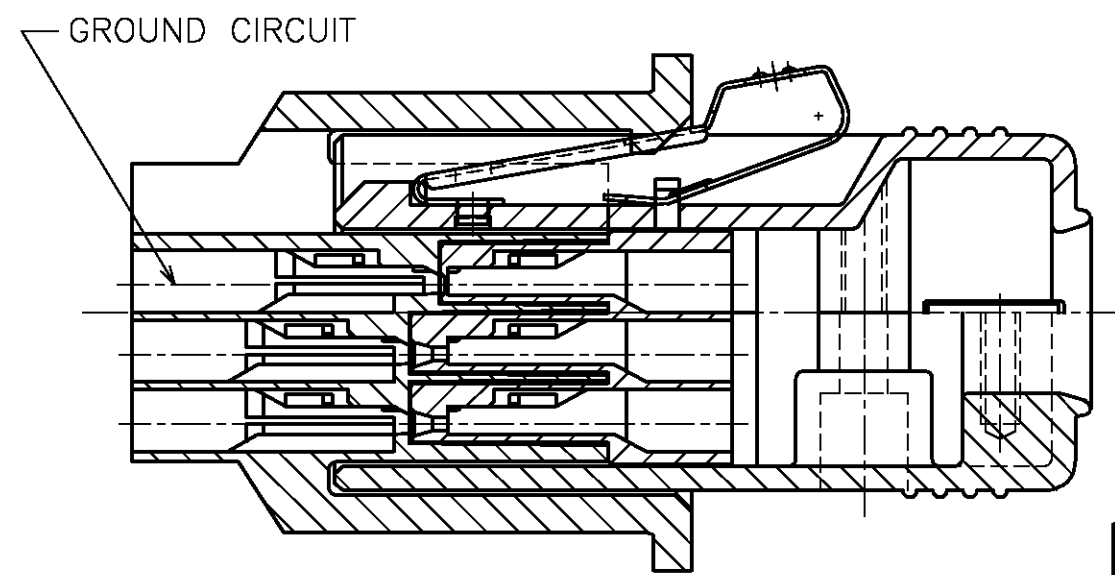
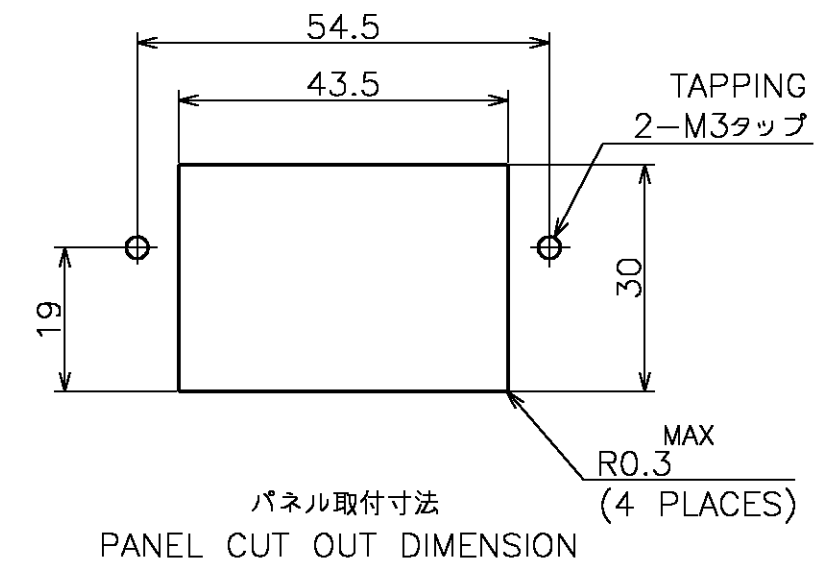
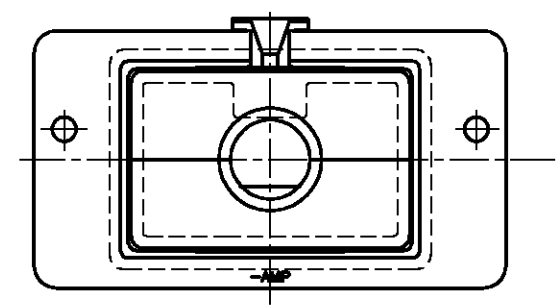
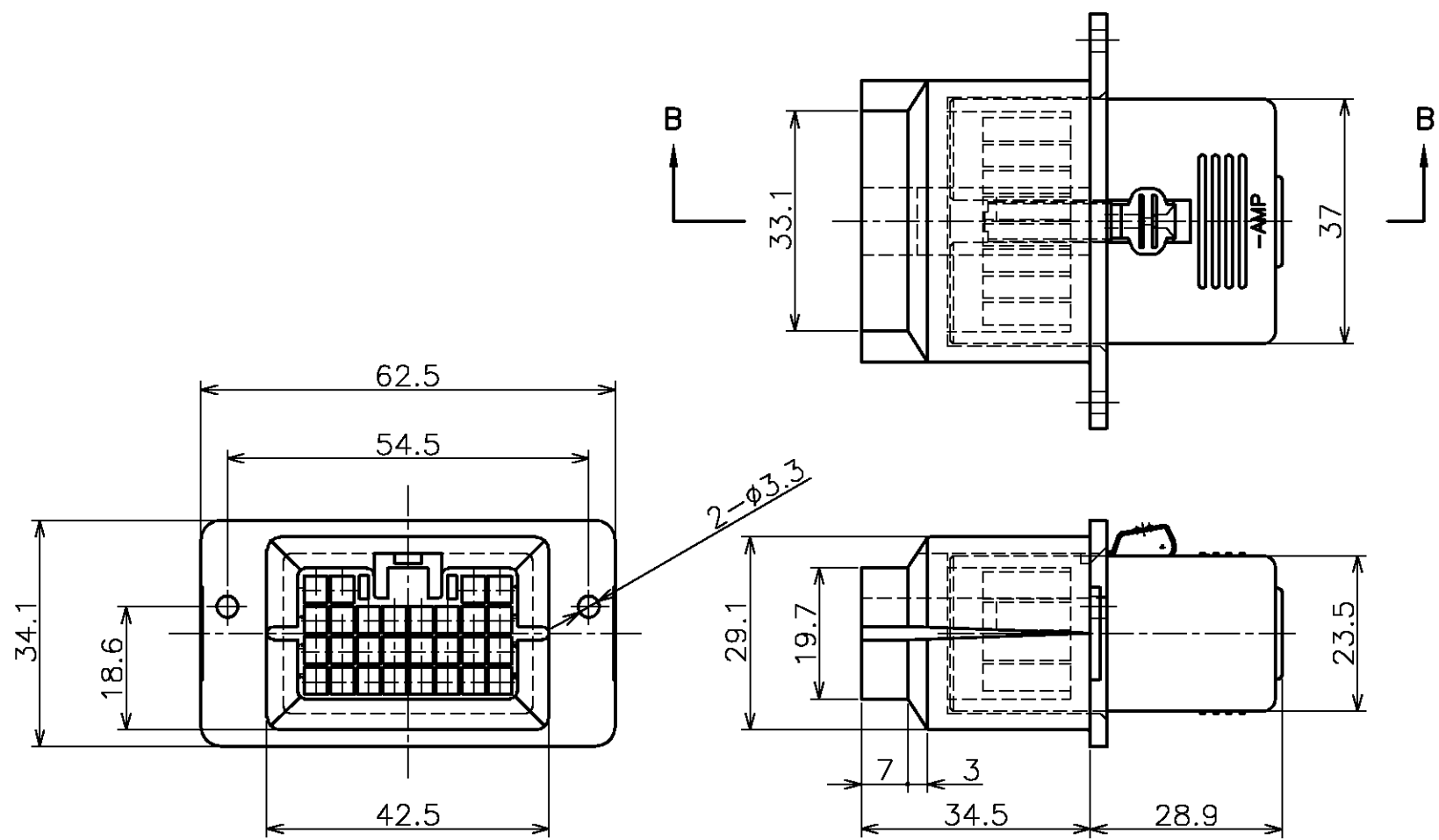
1

THIS DRAWING IS UNPUBLISHED. RELEASED FOR PUBLICATION MAY, 1990.

© COPYRIGHT 1990 BY TYCO ELECTRONICS CORPORATION. ALL RIGHTS RESERVED.

LOC		DIST		REVISIONS				
J				変更	DESCRIPTION	DATE	DWN	APVD
		P	LTR	SEE SHEET 1				

-1 ; AS SHOWN  
本図



B-B  
(SCALE 2:1)

THIS DRAWING IS A CONTROLLED DOCUMENT.		DWN	<b>tyco</b> Tyco Electronics AMP K.K.	
DIMENSIONS: 単位: 概 MM		CHK	Kawasaki, Japan	
TOLERANCES UNLESS OTHERWISE SPECIFIED: 一般公差		APVD	NAME 名称	
0 PLC ±		PRODUCT SPEC 製品規格	アンブ ラティス コネクター	
1 PLC ±		APPLICATION SPEC 取付適用規格	28極 嵌合状態参考図	
2 PLC ±		WEIGHT	SIZE	CAGE CODE
3 PLC ±		CUSTOMER DRAWING	A3	00779
4 PLC ±			DRAWING NO	番号
ANGLES ±		C-176765		RESTRICTED TO
FINISH 仕上		SCALE 尺度 1:1		SHEET 2 OF 4
MATERIAL 材料		REV D		

PROJ NO.399-355

A

D

C

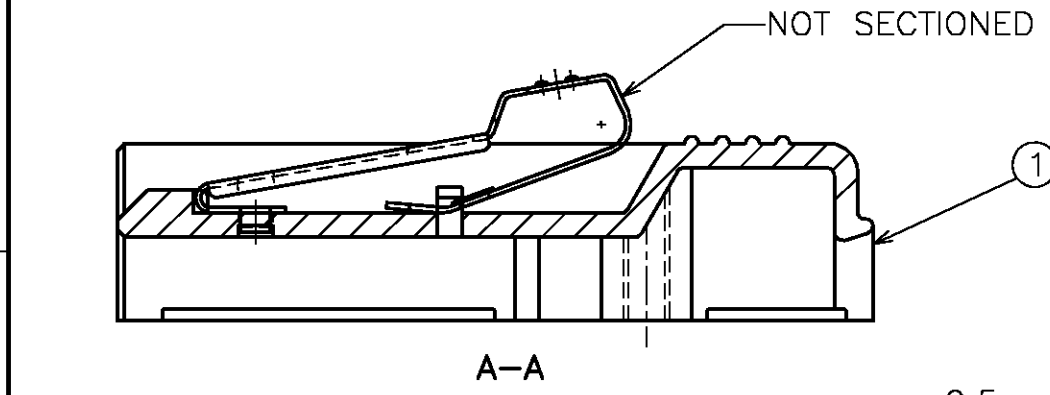
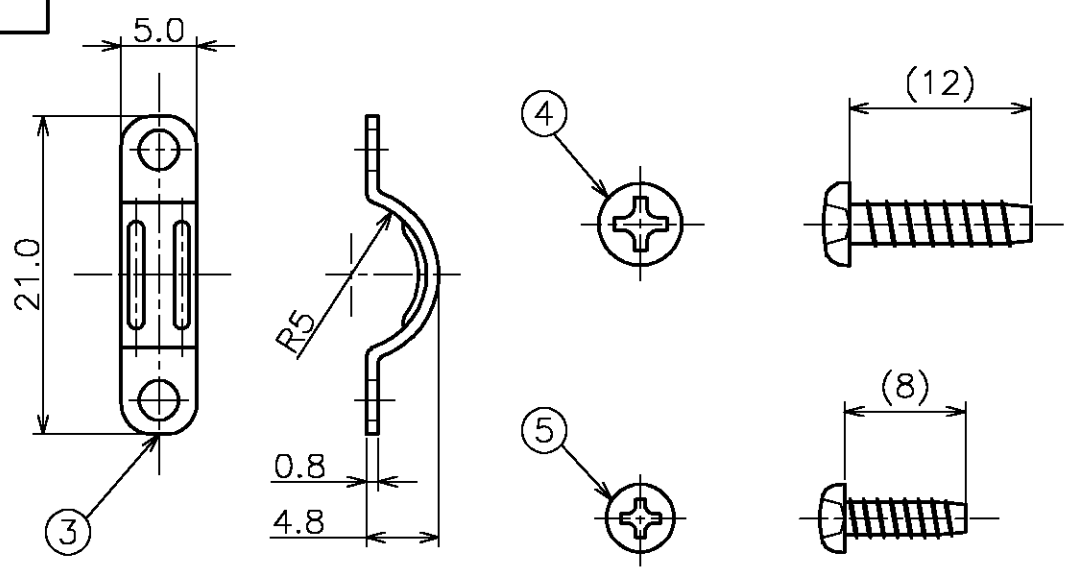
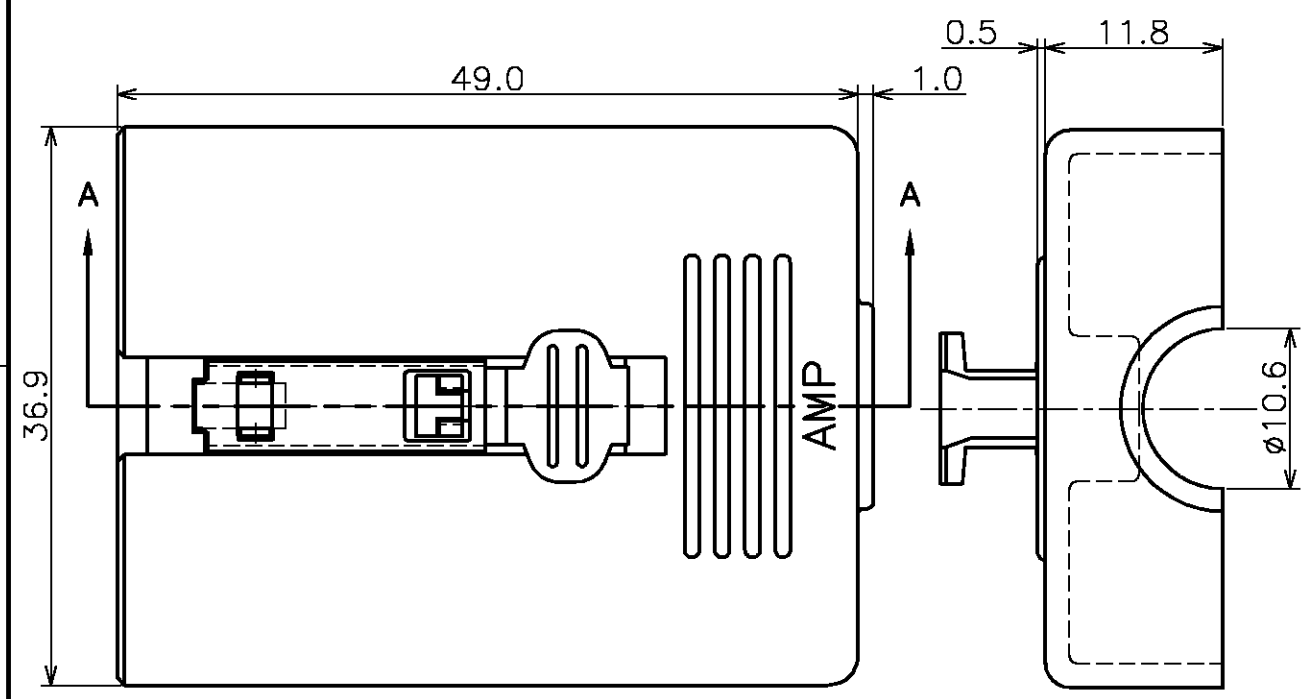
B

A

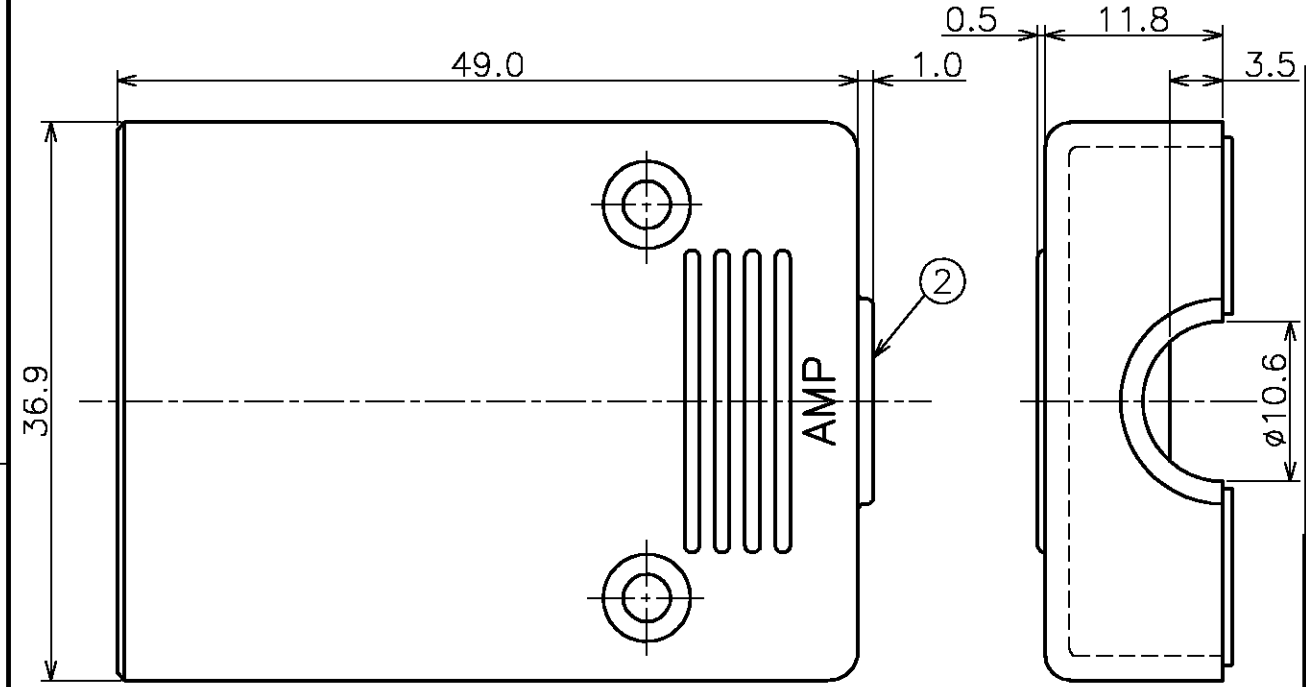
THIS DRAWING IS UNPUBLISHED. RELEASED FOR PUBLICATION MAY, 1990.  
 © COPYRIGHT 1990 BY TYCO ELECTRONICS CORPORATION. ALL RIGHTS RESERVED.

LOC	DIST	REVISIONS				
J		変更	DESCRIPTION	DATE	DWN	APVD
		SEE SHEET 1				

-2 ; AS SHOWN  
本図



- |                                |                     |
|--------------------------------|---------------------|
| 1 APPLICABLE SPECIFICATIONS    | 1 適用規格              |
| PRODUCT SPEC. : 108-5315       | 製品規格 : 108-5315     |
| APPLICATION SPEC. : 114-5147   | 取付適用規格 : 114-5147   |
| 2 INSTRUCTION SHEET : 411-5507 | 2 取扱い説明書 : 411-5507 |
| △ GENERAL TOLERANCE            | △ 一般公差              |
| 0 < * ≤ 10 : ±0.2              | 0 < * ≤ 10 : ±0.2   |
| 10 < * ≤ 30 : ±0.25            | 10 < * ≤ 30 : ±0.25 |
| 30 < * ≤ 100 : ±0.3            | 30 < * ≤ 100 : ±0.3 |
| ANGLES : ±3'                   | ANGLES : ±3'        |



QTY	材料及び仕上 MATERIAL & FINISH	名称 NAME	型番 P/N	ITEM NO.
2	STEEL, NICKEL PLATED スチール, ニッケルめっき	TAP-TIGHT B-TIGHT M2.6 SCREW M2.6 タップタイト Bタイト	900035-1	(5)
2	STEEL, NICKEL PLATED スチール, ニッケルめっき	TAP-TIGHT P-TIGHT M3 M3 タップタイト Pタイト	900034-1	(4)
1	STEEL, NICKEL PLATED スチール, ニッケルめっき	CLAMP クランプ	176832-1	(3)
1	THERMAL PLASTIC(94-HB), COLOR: ART GRAY 5.5 熱可塑性樹脂(94-HB), 色: アートグレイ 5.5	COVER "B" 28POS. カバー "B" 28極	178932-1	(2)
1	THERMAL PLASTIC(94-HB), COLOR: ART GRAY 5.5 熱可塑性樹脂(94-HB), 色: アートグレイ 5.5	COVER "A" WITH LOCK LEVER 28POS. カバー "A" ロックレバー付き 28極	178934-1	(1)

THIS DRAWING IS A CONTROLLED DOCUMENT.		DWN	<b>tyco</b> Electronics		Tyco Electronics AMP K.K. Kawasaki, Japan	
DIMENSIONS: 単位: 概 MM		CHK			NAME 名称	アンプ ラティス コネクター ケーブル クランプ キット 28極 AMP LATTICE CONN. CABLE CLAMP KIT 28POS.
TOLERANCES UNLESS OTHERWISE SPECIFIED: 一般公差		APVD	PRODUCT SPEC 製品規格	SIZE	CAGE CODE	DRAWING NO 番号
0 PLC ± 1 PLC ± 2 PLC ± 3 PLC ± 4 PLC ± ANGLES ±			SEE NOTE	A3	00779	C-176765
MATERIAL 材料 SEE TABLE 表参照			APPLICATION SPEC 取付適用規格	RESTRICTED TO		
FINISH 仕上 SEE TABLE 表参照			WEIGHT	CUSTOMER DRAWING		SCALE 尺度 2:1
				SHEET 3 OF 4		REV D

4

3

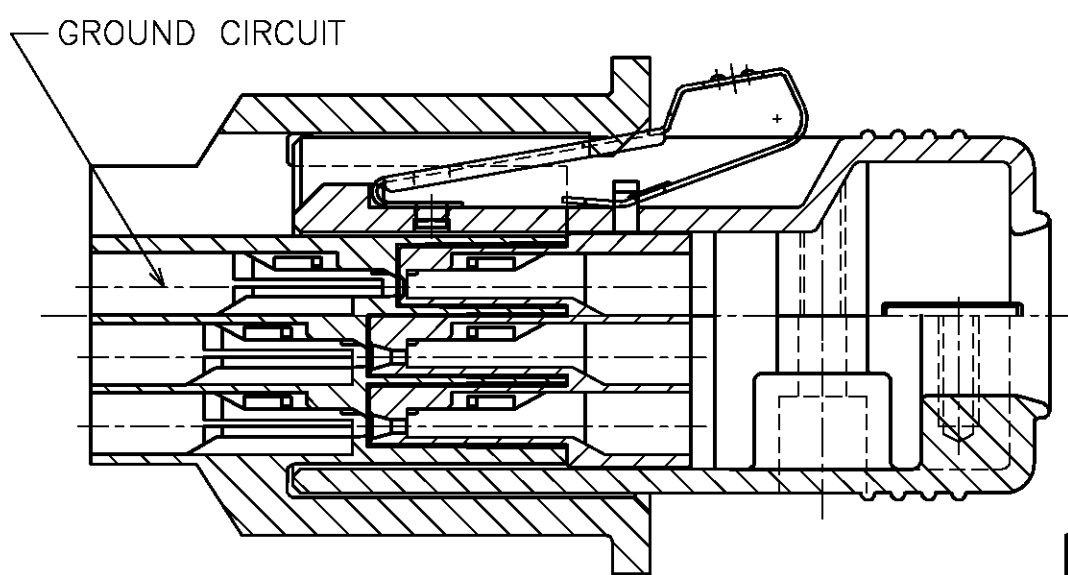
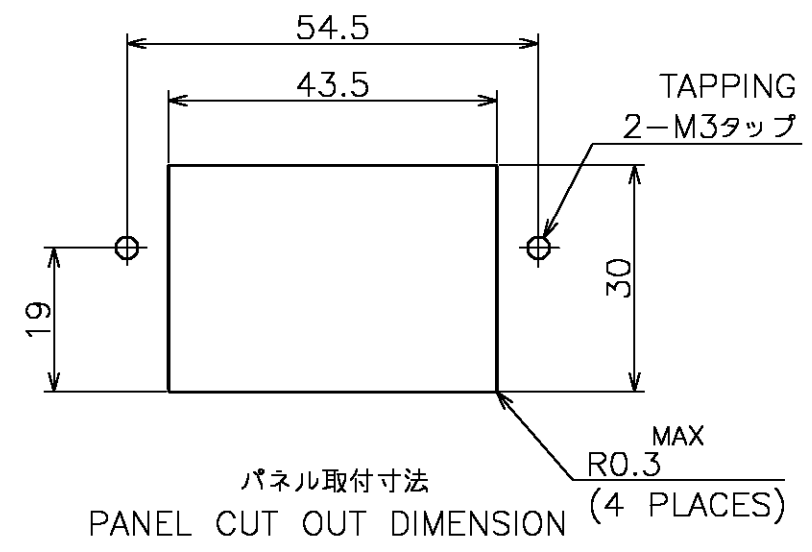
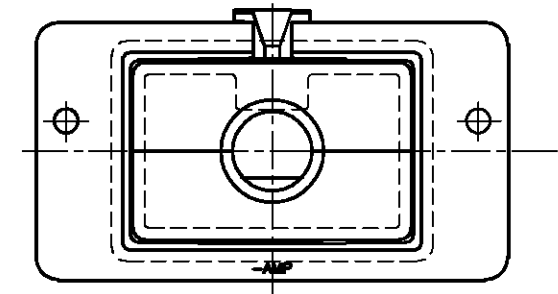
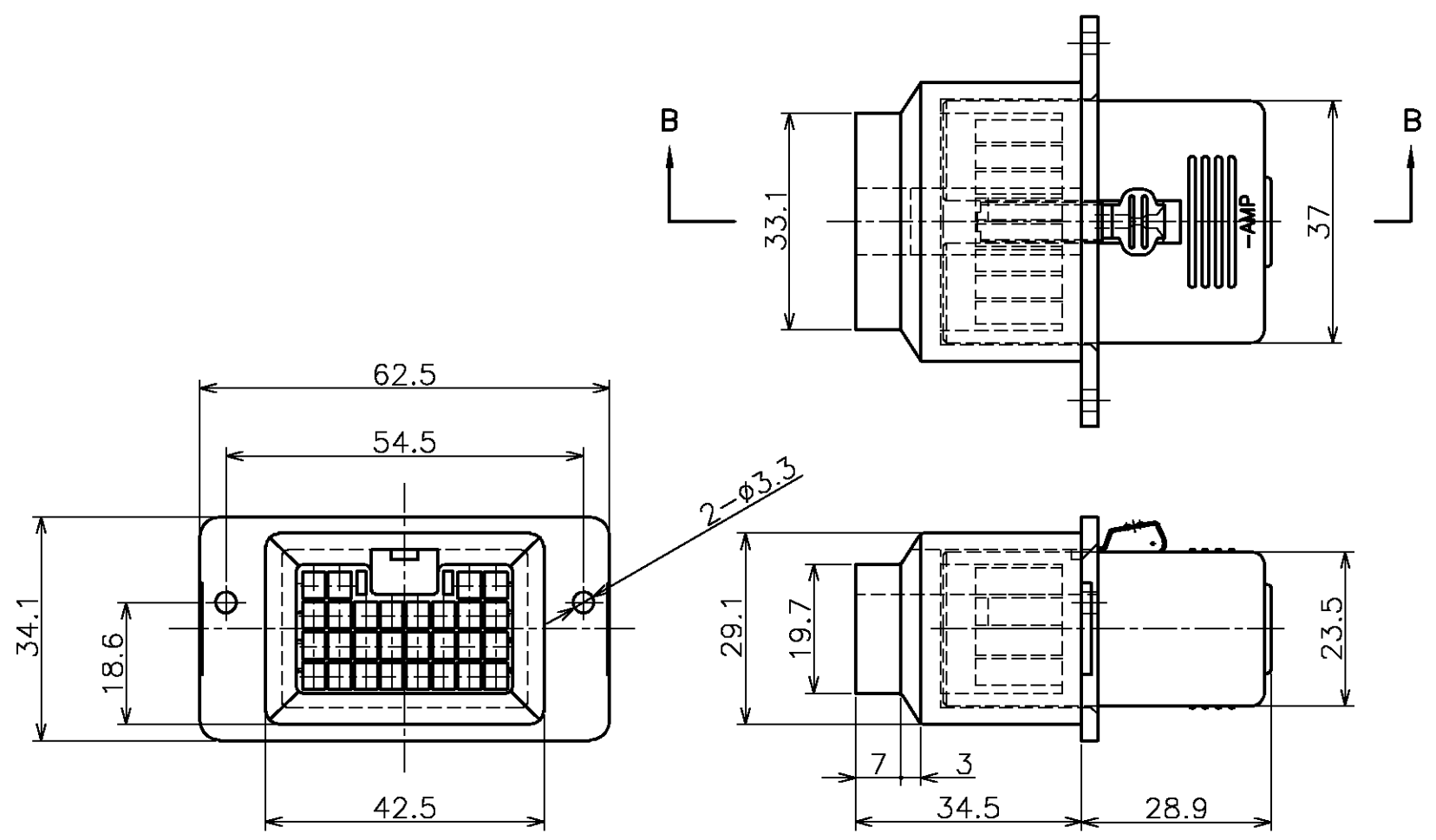
2

1

THIS DRAWING IS UNPUBLISHED. RELEASED FOR PUBLICATION MAY 1990 .  
 © COPYRIGHT 1990 BY TYCO ELECTRONICS CORPORATION. ALL RIGHTS RESERVED.

LOC	DIST	REVISIONS				
J		変更	DESCRIPTION	DATE	DWN	APVD
			SEE SHEET 1			

-2 ; AS SHOWN  
本図



B-B  
(SCALE 2:1)

THIS DRAWING IS A CONTROLLED DOCUMENT.		DWN	<b>tyco</b> Tyco Electronics AMP K.K.	
DIMENSIONS: 単位: 概 MM		CHK	Kawasaki, Japan	
TOLERANCES UNLESS OTHERWISE SPECIFIED: 一般公差		APVD	NAME 名称	
0 PLC ±		PRODUCT SPEC 製品規格	アンブ ラティス コネクター	
1 PLC ±		APPLICATION SPEC 取付適用規格	28極 嵌合状態図	
2 PLC ±		WEIGHT	SIZE	CAGE CODE
3 PLC ±			A3	00779
4 PLC ±			DRAWING NO	RESTRICTED TO
ANGLES ±			C-176765	
MATERIAL 材料	FINISH 仕上	CUSTOMER DRAWING		SCALE 尺度 1:1
		SHEET 4 OF 4		REV D

PROJ NO.399-355

A

A