



Chipsmall Limited consists of a professional team with an average of over 10 year of expertise in the distribution of electronic components. Based in Hongkong, we have already established firm and mutual-benefit business relationships with customers from,Europe,America and south Asia,supplying obsolete and hard-to-find components to meet their specific needs.

With the principle of “Quality Parts,Customers Priority,Honest Operation,and Considerate Service”,our business mainly focus on the distribution of electronic components. Line cards we deal with include Microchip,ALPS,ROHM,Xilinx,Pulse,ON,Everlight and Freescale. Main products comprise IC,Modules,Potentiometer,IC Socket,Relay,Connector.Our parts cover such applications as commercial,industrial, and automotives areas.

We are looking forward to setting up business relationship with you and hope to provide you with the best service and solution. Let us make a better world for our industry!



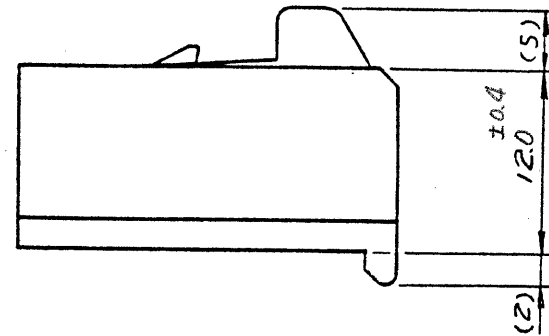
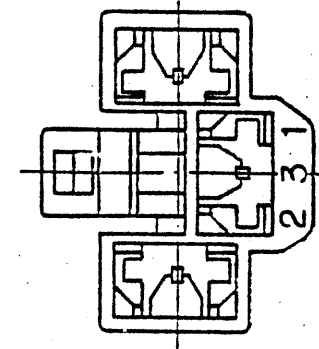
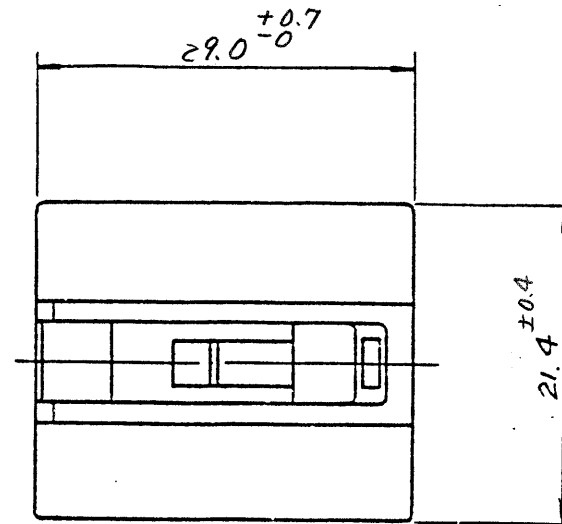
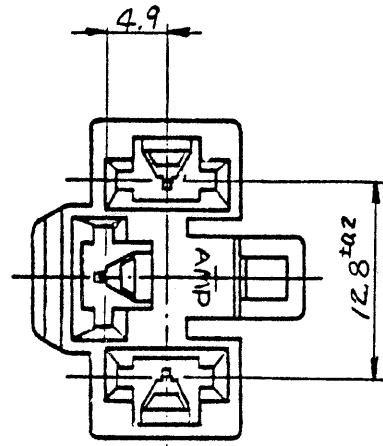
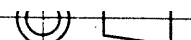
Contact us

Tel: +86-755-8981 8866 Fax: +86-755-8427 6832

Email & Skype: info@chipsmall.com Web: www.chipsmall.com

Address: A1208, Overseas Decoration Building, #122 Zhenhua RD., Futian, Shenzhen, China





- 注; 1. 嵌合相手ハウジングの型番 176773.
 2. 使用端子型番 170032, 170258, 170384.
 ③ 回路番号無し (-5のみ)

NOTES;

1. THE MATING COUNTERPART PART NUMBER 176773.
 2. APPLIED CONTACT ; P/N 170032, 170258, 170384.
 ③ NONE CIRCUIT No. (-5 ONLY)

青 (BLUE)	6-176774-1
自然色 (NATURAL)	176774-5 ③
自然色 (NATURAL)	176774-1
色 (COLOR)	型番 (P/N)

AMP | 日本イー・エル・ピー株式会社
 TOKYO, JAPAN

C	変更 FJ00-4058-96	26-JAN-96
B1	変更 FJ00-2878-95	6-JUL-95
B	変更 FJ00-2671-95	7-JUN-95
A	改訂 (J-12938)	12/18/90
D	作成 (ECN J-12176)	11/1/89
LTR	変更 (REVISION RECORD)	DR. CHK. DATE

抱合電線断面積 (WIRE RANGE)	被覆外径 (INSULATION DIA.)
— mm ² (AWG)	— mm
材料 (MATERIAL)	仕上 (FINISH)
6/6 NYLON	COLOR: SEE TABLE
DR. A. Imai 11/89	DE. A. Imai 11/89
CHK. Y. Suzuki 7/16/89	APP. J. Ome 1/6/89

名称 (NAME) "Z50" シリーズ ファストン・インターロックコネクタ 3極 7037" ハウジング "Z50" SERIES FASTON INTER LOCK CONNECTOR 3Ps PLUG HOUSING.			
一般公差	SIZE	LOC	番号 (NO.)
10以下 ±0.2 10を超え 30以下 ±0.25 30を超え 100以下 ±0.3 角 度 ±3°	B	J	C-176774
尺度 (SCALE)	REV.	SHEET 1/1	
2-1	C		

単位: 概 DIMENSIONS IN MM. DO NOT SCALE PRINT

PRINT DIST