



Chipsmall Limited consists of a professional team with an average of over 10 year of expertise in the distribution of electronic components. Based in Hongkong, we have already established firm and mutual-benefit business relationships with customers from,Europe,America and south Asia,supplying obsolete and hard-to-find components to meet their specific needs.

With the principle of “Quality Parts,Customers Priority,Honest Operation,and Considerate Service”,our business mainly focus on the distribution of electronic components. Line cards we deal with include Microchip,ALPS,ROHM,Xilinx,Pulse,ON,Everlight and Freescale. Main products comprise IC,Modules,Potentiometer,IC Socket,Relay,Connector.Our parts cover such applications as commercial,industrial, and automotives areas.

We are looking forward to setting up business relationship with you and hope to provide you with the best service and solution. Let us make a better world for our industry!



Contact us

Tel: +86-755-8981 8866 Fax: +86-755-8427 6832

Email & Skype: info@chipsmall.com Web: www.chipsmall.com

Address: A1208, Overseas Decoration Building, #122 Zhenhua RD., Futian, Shenzhen, China



NUMBER C-176986

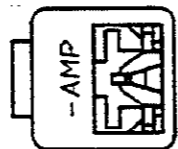
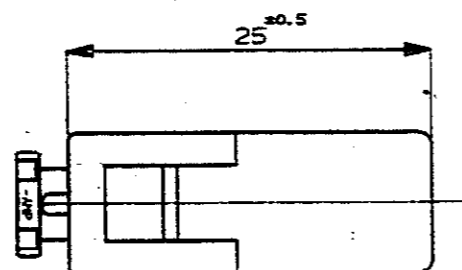
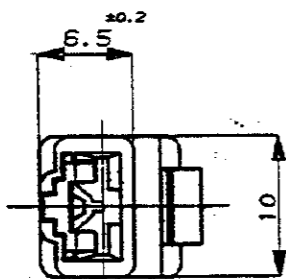


METRIC

<USERS>DEPT5270>E20986>U.250>U.1P>S.C-PLUG
*DIMENSIONS IN MM. DO NOT SCALE PRINT

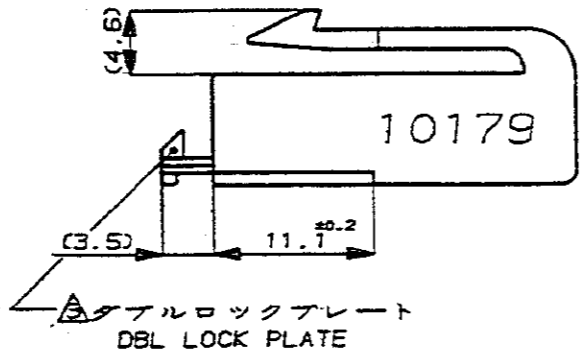
PRINT DIST

REV. 10/89



NOTE ;
1. THE MATING COUNTERPART P/N (172127 etc.)
2. APPLIED CONTACT (170032,170258,170384)
△ DBL LOCK PLATE
MATERIAL ; PBT
COLOR ; YELLOW

注 ;
1 嵌合する相手ハウジングは 型番 172127 他
2 使用端子は 型番 170032,170258,170384
△ダブルロックプレートは黄色のPBT材である



番号 (P/N)	色 (COLOR)
6-176986-6	淡灰 (LIGHT GRAY)
176986-6	灰 (GRAY)
176986-5	青 (BLUE)
176986-4	緑 (GREEN)
176986-3	茶 (BROWN)
176986-2	黒 (BLACK)
176986-1	自然色 (NATURAL)

Copyright ©1990 AMP (Japan), LTD. ALL RIGHTS RESERVED.		AMP 株式会社 AMP Tokyo, Japan	
適合電線規格 (WIRE RANGE) HAW LANG -)	絶縁外径 (INSULATION DIA.) H	名称 (NAME) .250 シリーズダブルロックコネクタ 1極プラグハウジング .250 SERIES DOUBLE LOCK CONNECTOR 1Pos. PLUG HOUSING	
材質 (MATERIAL) 6/6 ナイロン (6/6 NYLON)	色 (COLOR) 表参照 SEE TABLE	一般公差 (GENERAL TOLERANCE) HOUITY ±0.2 HOLE DIA. ±0.25 SOLENOID DIA. ±0.3 H ±0.3	SIZE LOC A3 J REV. (SCALE) 2-1 REV. 0 SHEET 1 OF 1
0 作成 RELEASED J-12724 FS DR 9/17/90	DR. J. Sagawa 9/17/90	DE. J. Sagawa 9/17/90	番号 (No.) C-176986
LTR 変更 (REVISION RECORD)	DR	CHK	DATE

(CUSTOMER DRAWING) 参考 ☒ 面