



Chipsmall Limited consists of a professional team with an average of over 10 year of expertise in the distribution of electronic components. Based in Hongkong, we have already established firm and mutual-benefit business relationships with customers from,Europe,America and south Asia,supplying obsolete and hard-to-find components to meet their specific needs.

With the principle of “Quality Parts,Customers Priority,Honest Operation,and Considerate Service”,our business mainly focus on the distribution of electronic components. Line cards we deal with include Microchip,ALPS,ROHM,Xilinx,Pulse,ON,Everlight and Freescale. Main products comprise IC,Modules,Potentiometer,IC Socket,Relay,Connector.Our parts cover such applications as commercial,industrial, and automotives areas.

We are looking forward to setting up business relationship with you and hope to provide you with the best service and solution. Let us make a better world for our industry!



## Contact us

Tel: +86-755-8981 8866 Fax: +86-755-8427 6832

Email & Skype: info@chipsmall.com Web: www.chipsmall.com

Address: A1208, Overseas Decoration Building, #122 Zhenhua RD., Futian, Shenzhen, China

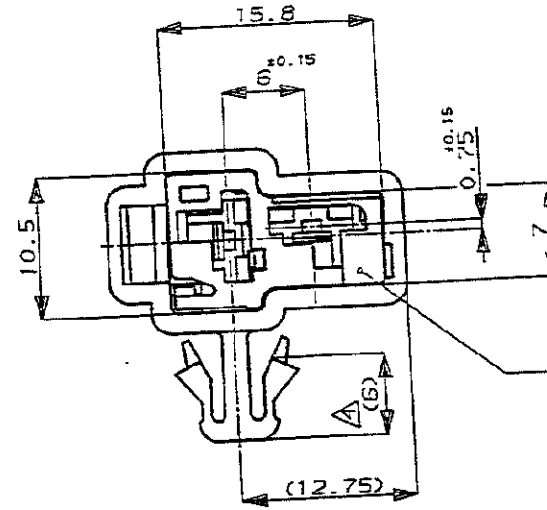
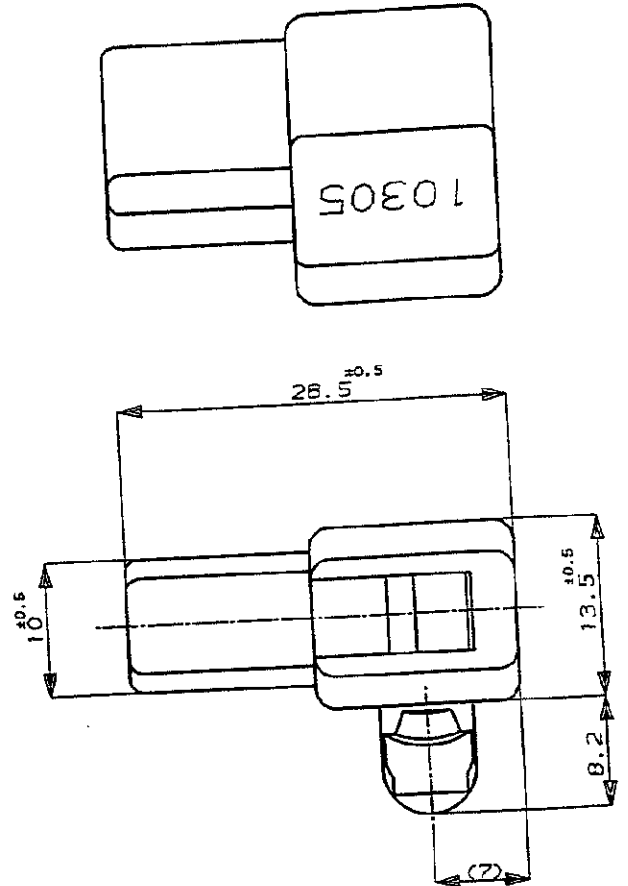
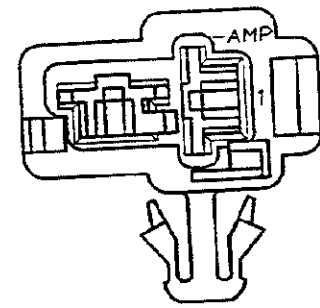


NUMBER C-176992

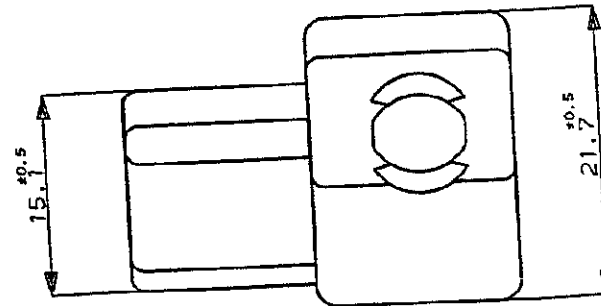


METRIC

PRINT DIST  
単位: 寸法 DIMENSIONS IN MM. DO NOT SCALE PRINT



△ダブルロックプレート  
DBL LOCK PLATE



- 注:
- 1 嵌合する相手ハウジングは 型番 172130 他
  - 2 使用端子は 型番 170340, 170341, 170349
  - 3 適用パネル穴径 7.0mm, 板厚 0.65-1.2mm
- △ パネルに取付けた時のパネル内側必要スペース (参考寸法)
- △ ダブルロックプレートは黄色のPBT材である

- NOTE ;
1. THE MATING COUNTERPART P/N (172130 etc.)
  2. APPLIED CONTACT P/N (170340, 170341, 170349)
  3. APPLICABLE PANEL ; HOLE DIMENSIONS 7.0mm THICKNESS 0.65-1.2mm
- △ A SPACING REQUIRED INSIDE OF THE PANEL FOR MOUNTING PANEL (REFERENCE DIMENSION)
- △ DBL LOCK PLATE MATERIAL ; PBT COLOR ; YELLOW

6-176992-6	淡灰 (LIGHT GRAY)
176992-6	灰 (GRAY)
176992-5	青 (BLUE)
176992-2	黒 (BLACK)
176992-1	自然色 (NATURAL)
番号 (P/N)	色 (COLOR)

Copyright ©1990 AMP (Japan), LTD. ALL RIGHTS RESERVED.		Copyright ©1990 AMP (Japan), LTD. ALL RIGHTS RESERVED.		AMP 日本エー・エム・ピー株式会社 Tokyo, Japan	
適合電線径 (WIRE RANGE) #16-#22 AWG		被覆外径 (INSULATION DIA.) #1 mmφ		名称 (NAME) .250 シリーズ ダブルロック コネクタ 2極 キャップ ハウジング パネル取付型 .250 SERIES DOUBLE LOCK CONNECTOR 2Pos. CAP HOUSING PANEL LOCK TYPE	
材料 (MATERIAL) 6/6 ナイロン (6/6 NYLON)		色 (COLOR) 表参照 SEE TABLE		一般公差 (GENERAL TOLERANCE) 10mm以下: ±0.2 10mm以上 30mm以下: ±0.25 30mm以上 100mm以下: ±0.3 90°角: ±3°	
01-3削除 OBSOLETE FJ00-0582-93 9/17 90		DR. J. Sogawa 9/17 90		LOC B J 番号 (No.) C-176992	
0 作成 RELEASED J-12724 TS KA 9/17 90		CHK. M. Behara 9/17 90		尺度 (SCALE) 2-1 REV. 01 SHEET 1 OF 1	
LTR 変更 (REVISION RECORD) DR CHK DATE		CHK. M. Behara 9/17 90		APP. J. Santusaba 9/17 90	

(CUSTOMER DRAWING) 参考 ☑ 面