



Chipsmall Limited consists of a professional team with an average of over 10 year of expertise in the distribution of electronic components. Based in Hongkong, we have already established firm and mutual-benefit business relationships with customers from,Europe,America and south Asia,supplying obsolete and hard-to-find components to meet their specific needs.

With the principle of "Quality Parts,Customers Priority,Honest Operation,and Considerate Service",our business mainly focus on the distribution of electronic components. Line cards we deal with include Microchip,ALPS,ROHM,Xilinx,Pulse,ON,Everlight and Freescale. Main products comprise IC,Modules,Potentiometer,IC Socket,Relay,Connector.Our parts cover such applications as commercial,industrial, and automotives areas.

We are looking forward to setting up business relationship with you and hope to provide you with the best service and solution. Let us make a better world for our industry!



## Contact us

Tel: +86-755-8981 8866 Fax: +86-755-8427 6832

Email & Skype: info@chipsmall.com Web: www.chipsmall.com

Address: A1208, Overseas Decoration Building, #122 Zhenhua RD., Futian, Shenzhen, China



## Bolt-down Fuseholders - Fuse Base for Fuse Strips Rated 80V

RoHS



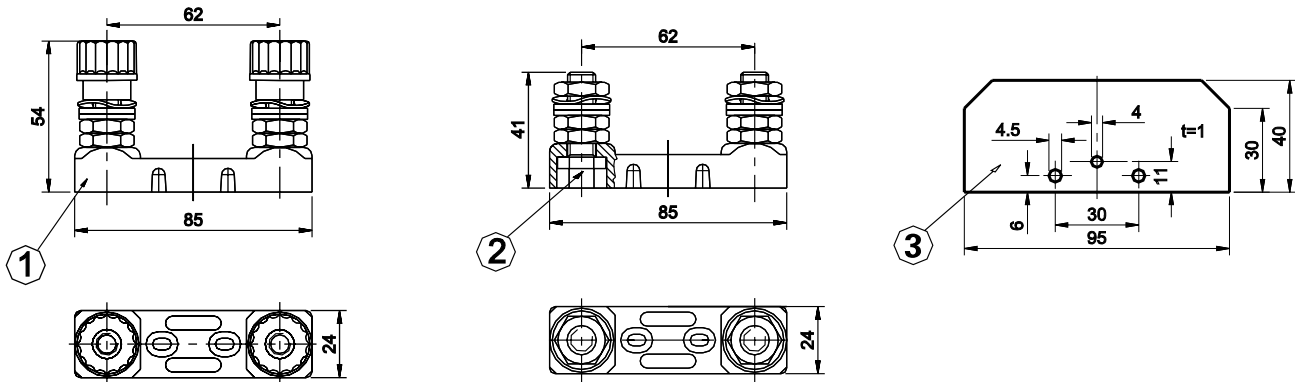
### Specifications

- Base:** Insulation material according to DIN 7708/1  
Spring washer according ISO 4036  
Hexagon nuts according to DIN 439  
Washer according to DIN 125
- Conducting materials:** Copper wrought alloy / alliage cuivreux
- Color:** Black / noir
- Packaging unit:** 10 pieces

Fuse base for fuse strips with 62mm spacing. Up to 80V.

Sicherungshalter für Sicherungsstreifen mit Stichmaß 62mm, bis 80V.

### Dimensions in mm / Maße in mm



Part Number Artikel-Nr.	Description Beschreibung	Contact Temperature Kontakttemperatur
177.5701.0001	1) Fuse base	max. 425 A
177.5731.0001	2) Fuse base	max. 425 A
192.5710.0001	3) Phase barrier	–

Corresponding fuse strips see Section "Bolt-down Fuses."

## Bolt-down Fuseholders - Fuse Base for Fuse Strips Rated 80V

RoHS



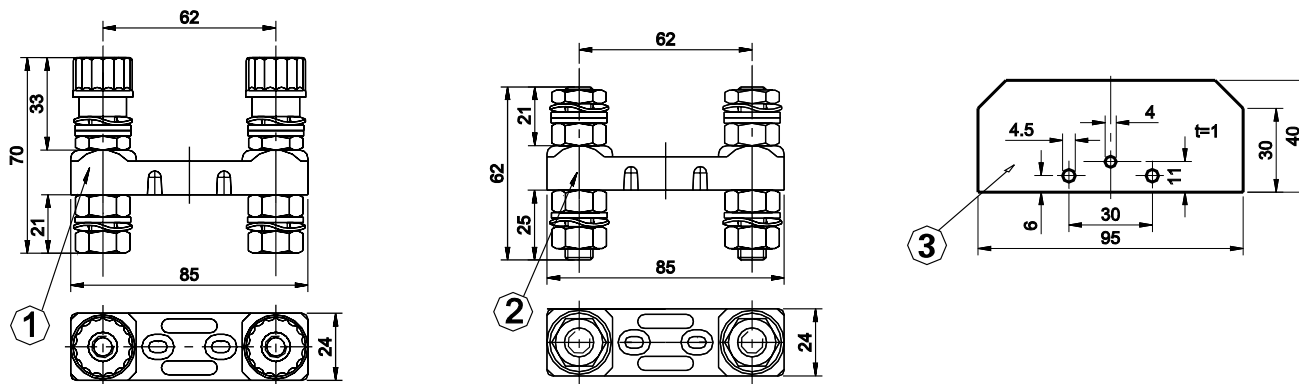
### Specifications

- Base:** Insulation material according to DIN 7708/1  
 Spring washer according ISO 4036  
 Hexagon nuts according to DIN 439  
 Washer according to DIN 125
- Conducting materials:** Copper wrought alloy / alliage cuivreux
- Color:** Black / noir
- Packaging unit:** 10 pieces

Fuse base for fuse strips with 62mm spacing. Up to 80V.

Sicherungshalter für Sicherungstreifen mit Stichmaß 62mm, bis 80V.

### Dimensions in mm / Maße in mm



Part Number Artikel-Nr.	Description Beschreibung	Contact Temperature Kontakttemperatur
177.5702.0001	1) Fuse base	max. 250 A
177.5741.0001	2) Fuse base	max. 250 A
192.5710.0001	3) Phase barrier	-

Corresponding fuse strips see Section "Bolt-down Fuses."