



Chipsmall Limited consists of a professional team with an average of over 10 year of expertise in the distribution of electronic components. Based in Hongkong, we have already established firm and mutual-benefit business relationships with customers from,Europe,America and south Asia,supplying obsolete and hard-to-find components to meet their specific needs.

With the principle of "Quality Parts,Customers Priority,Honest Operation,and Considerate Service",our business mainly focus on the distribution of electronic components. Line cards we deal with include Microchip,ALPS,ROHM,Xilinx,Pulse,ON,Everlight and Freescale. Main products comprise IC,Modules,Potentiometer,IC Socket,Relay,Connector.Our parts cover such applications as commercial,industrial, and automotives areas.

We are looking forward to setting up business relationship with you and hope to provide you with the best service and solution. Let us make a better world for our industry!



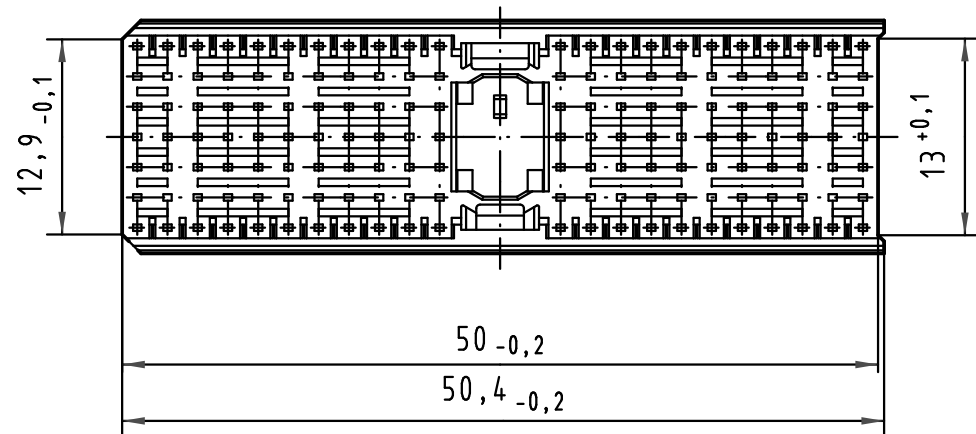
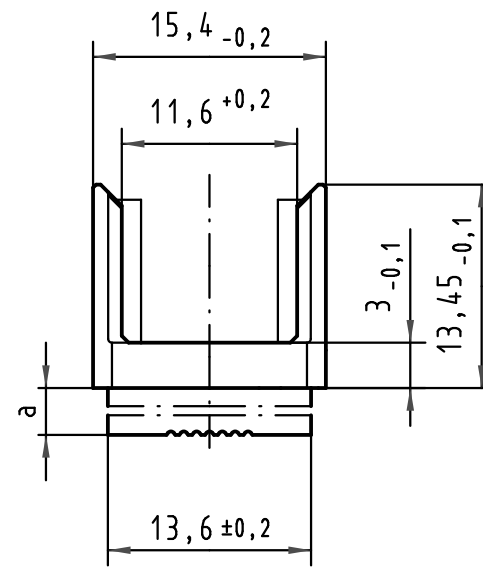
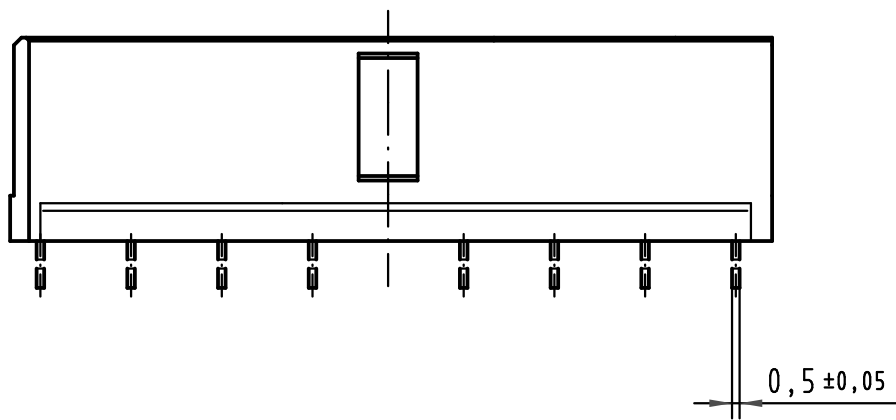
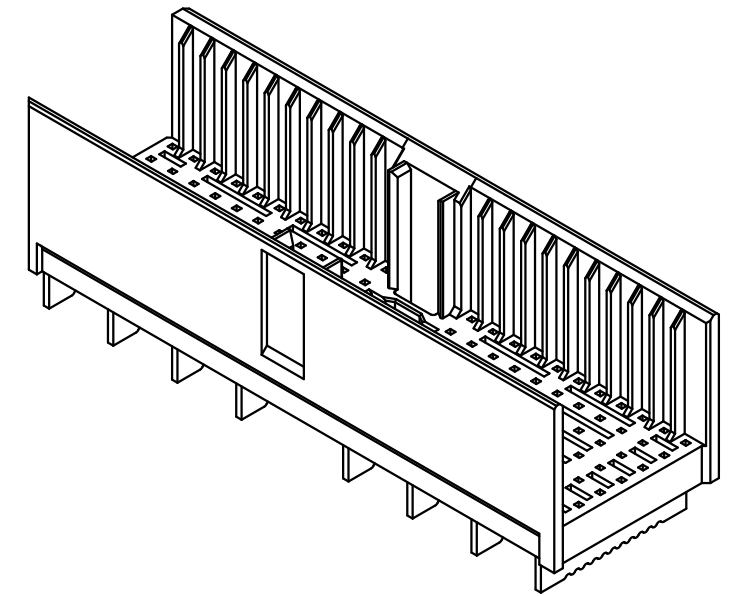
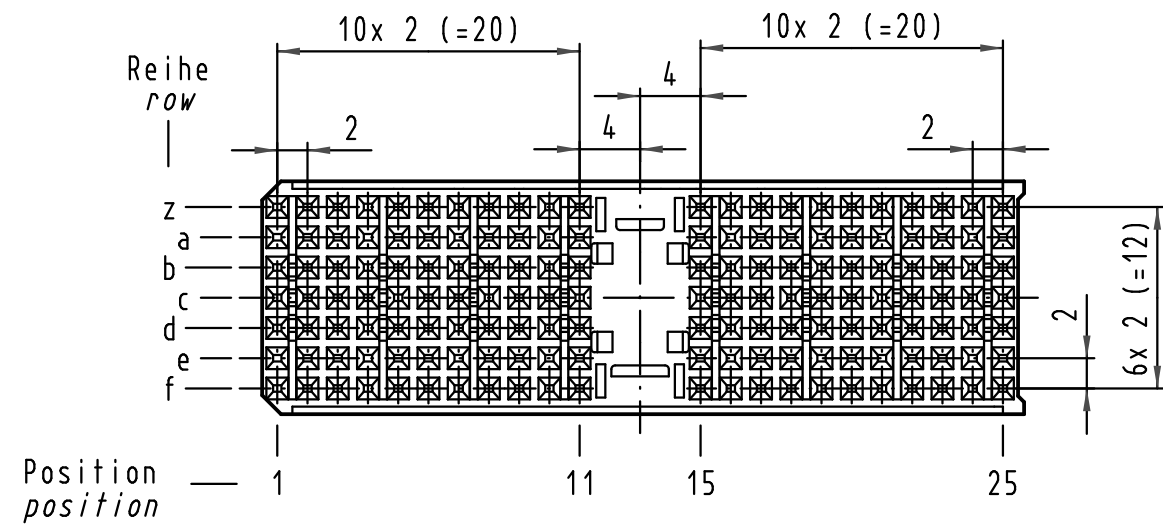
## Contact us

Tel: +86-755-8981 8866 Fax: +86-755-8427 6832

Email & Skype: info@chipsmall.com Web: www.chipsmall.com

Address: A1208, Overseas Decoration Building, #122 Zhenhua RD., Futian, Shenzhen, China





17 70 000 1004	4,0±0,4	0,7±0,05
17 70 000 1003	3,2±0,4	1,5±0,05
17 70 000 1002	2,4±0,4	2,3±0,05
17 70 000 1001	1,6±0,4	3,1±0,05
Bestell Nr. part-no.	LP-Dicke board thickness [mm]	a [mm]

All Dimensions in mm Original Size DIN A 3	Techn. Character.			Nicht tolerierte Maßel/Free size tolerances IEC 61076-4-101			
		Dat.	Name	Maßstab/Scale		har-bus HM Übergaberahmen Typ A har-bus HM Shroud Type A	
	Detail.	03.11.99	Wei.	2:1	TB 17 70 000 100x		
34650	05.02.08	Hage.	Insp.				03.11.99
27538	18.02.00	HL.	Stand.				
26972	22.11.99	Wei.					
25705			HARTING Electronics GmbH & Co. KG D-32339 ESPELKAMP			Blatt/ page	
Mod.	Dat.	Name				Sub.	