



Chipsmall Limited consists of a professional team with an average of over 10 year of expertise in the distribution of electronic components. Based in Hongkong, we have already established firm and mutual-benefit business relationships with customers from,Europe,America and south Asia,supplying obsolete and hard-to-find components to meet their specific needs.

With the principle of "Quality Parts,Customers Priority,Honest Operation,and Considerate Service",our business mainly focus on the distribution of electronic components. Line cards we deal with include Microchip,ALPS,ROHM,Xilinx,Pulse,ON,Everlight and Freescale. Main products comprise IC,Modules,Potentiometer,IC Socket,Relay,Connector.Our parts cover such applications as commercial,industrial, and automotives areas.

We are looking forward to setting up business relationship with you and hope to provide you with the best service and solution. Let us make a better world for our industry!



## Contact us

Tel: +86-755-8981 8866 Fax: +86-755-8427 6832

Email & Skype: info@chipsmall.com Web: www.chipsmall.com

Address: A1208, Overseas Decoration Building, #122 Zhenhua RD., Futian, Shenzhen, China



## PTSM 0,5/ 2-2,5-V THR R44

Order No.: 1770953



<http://eshop.phoenixcontact.de/phoenix/treeViewClick.do?UID=1770953>

PC terminal block, Nominal current: 6 A, Nom. voltage: 63 V, Pitch: 2.5 mm, Number of positions: 2, Type of connection: Spring-cage conn., Assembly: SMD/THT/THR, Conductor/PCB connection direction: 90 °, Color: black

### Commercial data

|                          |                    |
|--------------------------|--------------------|
| EAN                      | 4046356459532      |
| Pack                     | 310 pcs.           |
| Customs tariff           | 85369010           |
| Weight/Piece             | 0.00229 KG         |
| Catalog page information | Page 463 (CC-2009) |

<http://www.download.phoenixcontact.com>  
Please note that the data given here has been taken from the online catalog. For comprehensive information and data, please refer to the user documentation. The General Terms and Conditions of Use apply to Internet downloads.

### Technical data

#### Dimensions / positions

|                     |              |
|---------------------|--------------|
| Length              | 5 mm         |
| Pitch               | 2.5 mm       |
| Dimension a         | 2.5 mm       |
| Number of positions | 2            |
| Pin dimensions      | 0,3 x 0,8 mm |
| Pin spacing         | 2.5 mm       |
| Hole diameter       | 1.2 mm       |

#### Technical data

|                                    |                     |
|------------------------------------|---------------------|
| Insulating material group          | IIIa                |
| Rated surge voltage (III/3)        | 2.5 kV              |
| Rated surge voltage (III/2)        | 2.5 kV              |
| Rated surge voltage (II/2)         | 2.5 kV              |
| Rated voltage (III/2)              | 200 V               |
| Rated voltage (II/2)               | 200 V               |
| Connection in acc. with standard   | EN-VDE              |
| Nominal current $I_N$              | 6 A                 |
| Nominal voltage $U_N$              | 63 V                |
| Nominal cross section              | 0.5 mm <sup>2</sup> |
| Maximum load current               | 6 A                 |
| Insulating material                | LCP                 |
| Inflammability class acc. to UL 94 | V0                  |
| Stripping length                   | 6 mm                |

#### Connection data

|  |                      |
|--|----------------------|
| Conductor cross section solid min.   | 0.14 mm <sup>2</sup> |
| Conductor cross section solid max.   | 0.5 mm <sup>2</sup>  |
| Conductor cross section stranded min.                                      | 0.2 mm <sup>2</sup>  |
| Conductor cross section stranded max.                                      | 0.5 mm <sup>2</sup>  |
| Conductor cross section stranded, with ferrule without plastic sleeve min. | 0.25 mm <sup>2</sup> |
| Conductor cross section stranded, with ferrule without plastic sleeve max. | 0.5 mm <sup>2</sup>  |
| Conductor cross section AWG/kcmil min.                                     | 24                   |
| Conductor cross section AWG/kcmil max                                      | 20                   |

#### Certificates / Approvals

Certification CUL, UL

#### CUL

|                       |       |
|-----------------------|-------|
| Nominal voltage $U_N$ | 150 V |
| Nominal current $I_N$ | 5 A   |
| AWG/kcmil             | 26-20 |

**UL**

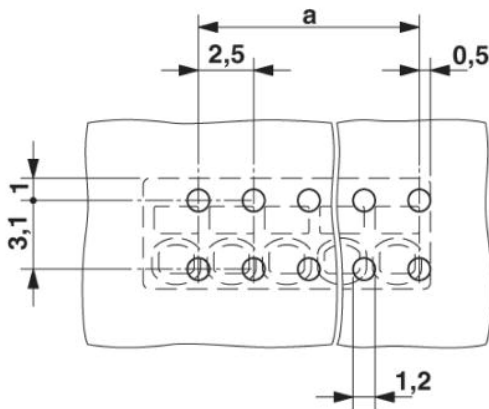
|                       |       |
|-----------------------|-------|
| Nominal voltage $U_N$ | 150 V |
| Nominal current $I_N$ | 5 A   |
| AWG/kcmil             | 26-20 |

**Accessories**

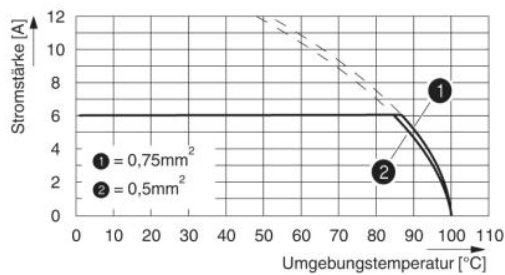
| Item    | Designation | Description   |
|---------|-------------|---|
| 1205202 | SZS 0,4X2,0 | Screwdriver, bladed, matches all screw terminal blocks up to 1.5 mm <sup>2</sup> connection cross section, blade width: 2.5 mm, without approvals |

**Diagrams/Drawings**

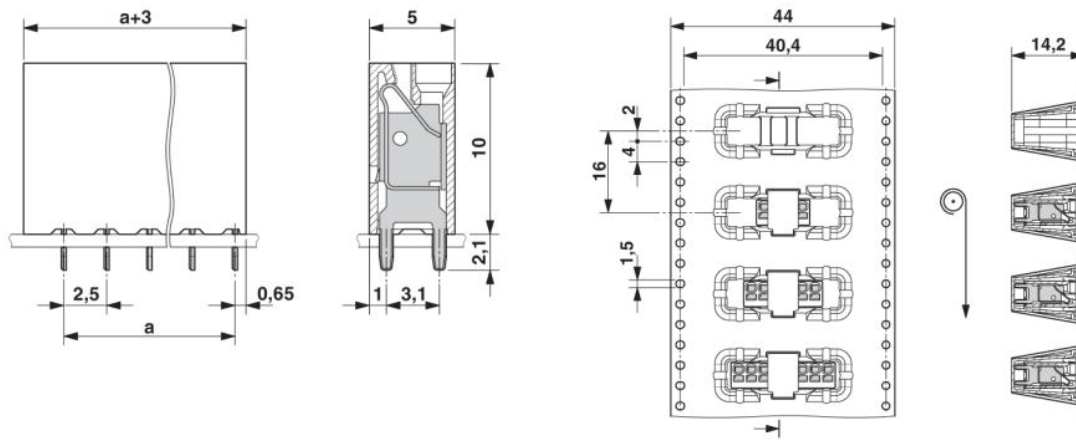
Drilling plan/solder pad geometry



Diagram



Dimensioned drawing



**Address**

PHOENIX CONTACT Inc., USA  
586 Fulling Mill Road  
Middletown, PA 17057, USA  
Phone (800) 888-7388  
Fax (717) 944-1625  
<http://www.phoenixcon.com>



© 2010 Phoenix Contact  
Technical modifications reserved;