



Chipsmall Limited consists of a professional team with an average of over 10 year of expertise in the distribution of electronic components. Based in Hongkong, we have already established firm and mutual-benefit business relationships with customers from,Europe,America and south Asia,supplying obsolete and hard-to-find components to meet their specific needs.

With the principle of "Quality Parts,Customers Priority,Honest Operation,and Considerate Service",our business mainly focus on the distribution of electronic components. Line cards we deal with include Microchip,ALPS,ROHM,Xilinx,Pulse,ON,Everlight and Freescale. Main products comprise IC,Modules,Potentiometer,IC Socket,Relay,Connector.Our parts cover such applications as commercial,industrial, and automotives areas.

We are looking forward to setting up business relationship with you and hope to provide you with the best service and solution. Let us make a better world for our industry!



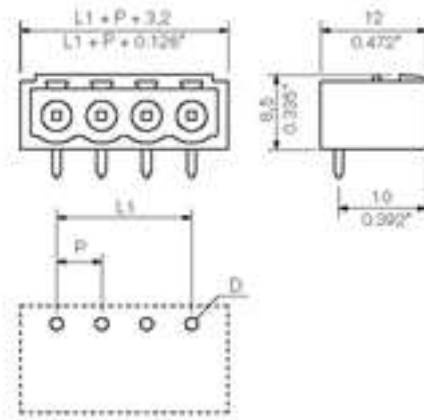
Contact us

Tel: +86-755-8981 8866 Fax: +86-755-8427 6832

Email & Skype: info@chipsmall.com Web: www.chipsmall.com

Address: A1208, Overseas Decoration Building, #122 Zhenhua RD., Futian, Shenzhen, China





General ordering data

| | |
|------------------|---|
| Order No. | 1775002001 |
| Part designation | SL-SMT5.08/2/90G 1.5SN |
| Version | PCB plug-in connector, Male connectors, Reflow solder connection, Pitch: 5.08 mm, No. of poles: 2, 90°, Box |
| EAN | 4032248156023 |
| Qty. | 100 pc(s). |

System parameters

| | |
|-----------------------------|--------------------------|
| Fitted to PCB | Reflow solder connection |
| Outgoing elbow | 90° |
| Pitch | 5.08 mm |
| Pitch in inch | 0.2 inch |
| No. of poles | 2 |
| Solder pin length | 1.5 mm |
| Can be coded | Yes |
| No. of solder pins per pole | 1 |
| L1 in mm | 5.08 mm |
| L1 in inch | 0.2 inch |

Material data

| | |
|---------------------|--------|
| Insulating material | LCP GF |
| Colour | black |

Material data

| | |
|---------------------------------------|---------------------|
| colour chart | Similar to RAL 9011 |
| Insulating material group | IIIa |
| Flammability class UL 94 | V-0 |
| Contact base material | CuSn |
| Contact surface | tinned |
| Constant operating temp., min. | -25 °C |
| Constant operating temp., max. | 100 |
| Storage temperature, min. | -25 °C |
| Storage temperature, max. | 55 °C |
| Max. relative humidity during storage | 80 % |

DIN IEC rating data

| | |
|--|-------|
| Rated current, min. No. pins (Tu=20°C) | 19 A |
| Rated current, max. No. pins (Tu=20°C) | 15 A |
| Rated current, min. No. pins (Tu=40°C) | 16 A |
| Rated current, max. No. pins (Tu=40°C) | 13 A |
| Rated voltage for overvoltage class/pollution severity III/3 | 250 V |
| Rated impulse withstand voltage for overvoltage class/pollution severity III/3 | 4 kV |
| Rated voltage for overvoltage class/pollution severity III/2 | 320 V |
| Rated impulse withstand voltage for overvoltage class/pollution severity III/2 | 4 kV |
| Rated voltage for overvoltage class/pollution severity II/2 | 400 V |
| Rated impulse withstand voltage for overvoltage class/pollution severity II/2 | 4 kV |

CSA rating data

| | |
|-----------------------------|-------|
| Rated voltage (Use group D) | 300 V |
| Rated current (Use group D) | 10 A |

UL 1059 rating data

| | |
|-----------------------------|-------|
| Rated voltage (Use group D) | 300 V |
| Rated current (Use group D) | 10 A |

Approvals

Approvals institutes



Classifications

| | |
|------------|-------------|
| ETIM 2.0 | NK |
| ETIM 3.0 | EC001284 |
| eClass 4.1 | 27-26-07-01 |
| eClass 5.0 | 27-26-07-01 |
| eClass 5.1 | 27-26-07-04 |

Similar products

| Order No. | Part designation | Version |
|------------|-------------------------|---|
| 1780180000 | SL-SMT5.08/2/90G 3.2SN | PCB plug-in connector, Male connectors, Reflow solder connection, Pitch: 5.08 mm, No. of poles: 2, 90°, Box |
| 1775012001 | SL-SMT5.08/3/90G 1.5SN | PCB plug-in connector, Male connectors, Reflow solder connection, Pitch: 5.08 mm, No. of poles: 3, 90°, Box |
| 1780190000 | SL-SMT5.08/03/90G 3.2SN | PCB plug-in connector, Male connectors, Reflow solder connection, Pitch: 5.08 mm, No. of poles: 3, 90°, Box |
| 1775022001 | SL-SMT5.08/4/90G 1.5SN | PCB plug-in connector, Male connectors, Reflow solder connection, Pitch: 5.08 mm, No. of poles: 4, 90°, Box |
| 1780200000 | SL-SMT5.08/04/90G 3.2SN | PCB plug-in connector, Male connectors, Reflow solder connection, Pitch: 5.08 mm, No. of poles: 4, 90°, Box |
| 1775032001 | SL-SMT5.08/5/90G 1.5SN | PCB plug-in connector, Male connectors, Reflow solder connection, Pitch: 5.08 mm, No. of poles: 5, 90°, Box |
| 1780210000 | SL-SMT5.08/05/90G 3.2SN | PCB plug-in connector, Male connectors, Reflow solder connection, Pitch: 5.08 mm, No. of poles: 5, 90°, Box |
| 1775042001 | SL-SMT5.08/6/90G 1.5SN | PCB plug-in connector, Male connectors, Reflow solder connection, Pitch: 5.08 mm, No. of poles: 6, 90°, Box |
| 1780220000 | SL-SMT5.08/06/90G 3.2SN | PCB plug-in connector, Male connectors, Reflow solder connection, Pitch: 5.08 mm, No. of poles: 6, 90°, Box |
| 1775052001 | SL-SMT5.08/7/90G 1.5SN | PCB plug-in connector, Male connectors, Reflow solder connection, Pitch: 5.08 mm, No. of poles: 7, 90°, Box |
| 1780230000 | SL-SMT5.08/07/90G 3.2SN | PCB plug-in connector, Male connectors, Reflow solder connection, Pitch: 5.08 mm, No. of poles: 7, 90°, Box |
| 1775062001 | SL-SMT5.08/8/90G 1.5SN | PCB plug-in connector, Male connectors, Reflow solder connection, Pitch: 5.08 mm, No. of poles: 8, 90°, Box |

| | | |
|------------|-------------------------|--|
| 1780240000 | SL-SMT5.08/08/90G 3.2SN | PCB plug-in connector, Male connectors, Reflow solder connection, Pitch: 5.08 mm, No. of poles: 8, 90°, Box |
| 1775072001 | SL-SMT5.08/9/90G 1.5SN | PCB plug-in connector, Male connectors, Reflow solder connection, Pitch: 5.08 mm, No. of poles: 9, 90°, Box |
| 1780250000 | SL-SMT5.08/09/90G 3.2SN | PCB plug-in connector, Male connectors, Reflow solder connection, Pitch: 5.08 mm, No. of poles: 9, 90°, Box |
| 1775082001 | SL-SMT5.08/10/90G 1.5SN | PCB plug-in connector, Male connectors, Reflow solder connection, Pitch: 5.08 mm, No. of poles: 10, 90°, Box |
| 1780260000 | SL-SMT5.08/10/90G 3.2SN | PCB plug-in connector, Male connectors, Reflow solder connection, Pitch: 5.08 mm, No. of poles: 10, 90°, Box |
| 1775092001 | SL-SMT5.08/11/90G 1.5SN | PCB plug-in connector, Male connectors, Reflow solder connection, Pitch: 5.08 mm, No. of poles: 11, 90°, Box |
| 1780270000 | SL-SMT5.08/11/90G 3.2SN | PCB plug-in connector, Male connectors, Reflow solder connection, Pitch: 5.08 mm, No. of poles: 11, 90°, Box |
| 1775102001 | SL-SMT5.08/12/90G 1.5SN | PCB plug-in connector, Male connectors, Reflow solder connection, Pitch: 5.08 mm, No. of poles: 12, 90°, Box |
| 1780280000 | SL-SMT5.08/12/90G 3.2SN | PCB plug-in connector, Male connectors, Reflow solder connection, Pitch: 5.08 mm, No. of poles: 12, 90°, Box |
| 1775112001 | SL-SMT5.08/13/90G 1.5SN | PCB plug-in connector, Male connectors, Reflow solder connection, Pitch: 5.08 mm, No. of poles: 13, 90°, Box |
| 1780290000 | SL-SMT5.08/13/90G 3.2SN | PCB plug-in connector, Male connectors, Reflow solder connection, Pitch: 5.08 mm, No. of poles: 13, 90°, Box |
| 1775122001 | SL-SMT5.08/14/90G 1.5SN | PCB plug-in connector, Male connectors, Reflow solder connection, Pitch: 5.08 mm, No. of poles: 14, 90°, Box |
| 1780300000 | SL-SMT5.08/14/90G 3.2SN | PCB plug-in connector, Male connectors, Reflow solder connection, Pitch: 5.08 mm, No. of poles: 14, 90°, Box |
| 1775132001 | SL-SMT5.08/15/90G 1.5SN | PCB plug-in connector, Male connectors, Reflow solder connection, Pitch: 5.08 mm, No. of poles: 15, 90°, Box |
| 1780310000 | SL-SMT5.08/15/90G 3.2SN | PCB plug-in connector, Male connectors, Reflow solder connection, Pitch: 5.08 mm, No. of poles: 15, 90°, Box |
| 1775142001 | SL-SMT5.08/16/90G 1.5SN | PCB plug-in connector, Male connectors, Reflow solder connection, Pitch: 5.08 mm, No. of poles: 16, 90°, Box |
| 1780320000 | SL-SMT5.08/16/90G 3.2SN | PCB plug-in connector, Male connectors, Reflow solder connection, Pitch: 5.08 mm, No. of poles: 16, 90°, Box |
| 1775152001 | SL-SMT5.08/17/90G 1.5SN | PCB plug-in connector, Male connectors, Reflow solder connection, Pitch: 5.08 mm, No. of poles: 17, 90°, Box |
| 1780330000 | SL-SMT5.08/17/90G 3.2SN | PCB plug-in connector, Male connectors, Reflow solder connection, Pitch: 5.08 mm, No. of poles: 17, 90°, Box |
| 1775162001 | SL-SMT5.08/18/90G 1.5SN | PCB plug-in connector, Male connectors, Reflow solder connection, Pitch: 5.08 mm, No. of poles: 18, 90°, Box |
| 1780340000 | SL-SMT5.08/18/90G 3.2SN | PCB plug-in connector, Male connectors, Reflow solder connection, Pitch: 5.08 mm, No. of poles: 18, 90°, Box |
| 1775172001 | SL-SMT5.08/19/90G 1.5SN | PCB plug-in connector, Male connectors, Reflow solder connection, Pitch: 5.08 mm, No. of poles: 19, 90°, Box |
| 1780350000 | SL-SMT5.08/19/90G 3.2SN | PCB plug-in connector, Male connectors, Reflow solder connection, Pitch: 5.08 mm, No. of poles: 19, 90°, Box |
| 1775182001 | SL-SMT5.08/20/90G 1.5SN | PCB plug-in connector, Male connectors, Reflow solder connection, Pitch: 5.08 mm, No. of poles: 20, 90°, Box |
| 1780360000 | SL-SMT5.08/20/90G 3.2SN | PCB plug-in connector, Male connectors, Reflow solder connection, Pitch: 5.08 mm, No. of poles: 20, 90°, Box |
| 1775192001 | SL-SMT5.08/21/90G 1.5SN | PCB plug-in connector, Male connectors, Reflow solder connection, Pitch: 5.08 mm, No. of poles: 21, 90°, Box |

| | | |
|------------|-------------------------|--|
| 1780370000 | SL-SMT5.08/21/90G 3.2SN | PCB plug-in connector, Male connectors, Reflow solder connection, Pitch: 5.08 mm, No. of poles: 21, 90°, Box |
| 1775202001 | SL-SMT5.08/22/90G 1.5SN | PCB plug-in connector, Male connectors, Reflow solder connection, Pitch: 5.08 mm, No. of poles: 22, 90°, Box |
| 1780380000 | SL-SMT5.08/22/90G 3.2SN | PCB plug-in connector, Male connectors, Reflow solder connection, Pitch: 5.08 mm, No. of poles: 22, 90°, Box |
| 1775212001 | SL-SMT5.08/23/90G 1.5SN | PCB plug-in connector, Male connectors, Reflow solder connection, Pitch: 5.08 mm, No. of poles: 23, 90°, Box |
| 1780390000 | SL-SMT5.08/23/90G 3.2SN | PCB plug-in connector, Male connectors, Reflow solder connection, Pitch: 5.08 mm, No. of poles: 23, 90°, Box |
| 1775222001 | SL-SMT5.08/24/90G 1.5SN | PCB plug-in connector, Male connectors, Reflow solder connection, Pitch: 5.08 mm, No. of poles: 24, 90°, Box |
| 1780400000 | SL-SMT5.08/24/90G 3.2SN | PCB plug-in connector, Male connectors, Reflow solder connection, Pitch: 5.08 mm, No. of poles: 24, 90°, Box |