



Chipsmall Limited consists of a professional team with an average of over 10 year of expertise in the distribution of electronic components. Based in Hongkong, we have already established firm and mutual-benefit business relationships with customers from,Europe,America and south Asia,supplying obsolete and hard-to-find components to meet their specific needs.

With the principle of “Quality Parts,Customers Priority,Honest Operation,and Considerate Service”,our business mainly focus on the distribution of electronic components. Line cards we deal with include Microchip,ALPS,ROHM,Xilinx,Pulse,ON,Everlight and Freescale. Main products comprise IC,Modules,Potentiometer,IC Socket,Relay,Connector.Our parts cover such applications as commercial,industrial, and automotives areas.

We are looking forward to setting up business relationship with you and hope to provide you with the best service and solution. Let us make a better world for our industry!



Contact us

Tel: +86-755-8981 8866 Fax: +86-755-8427 6832

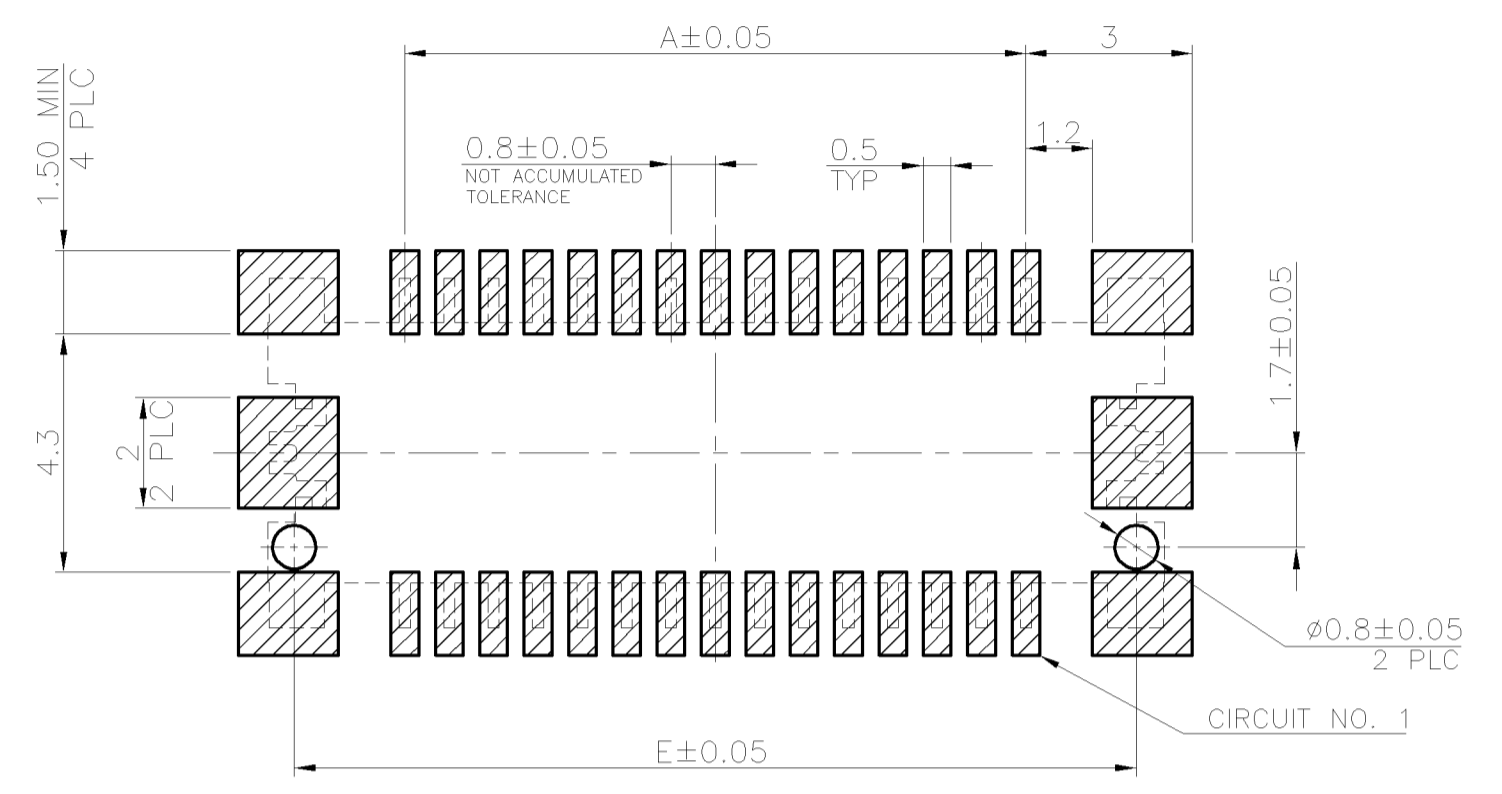
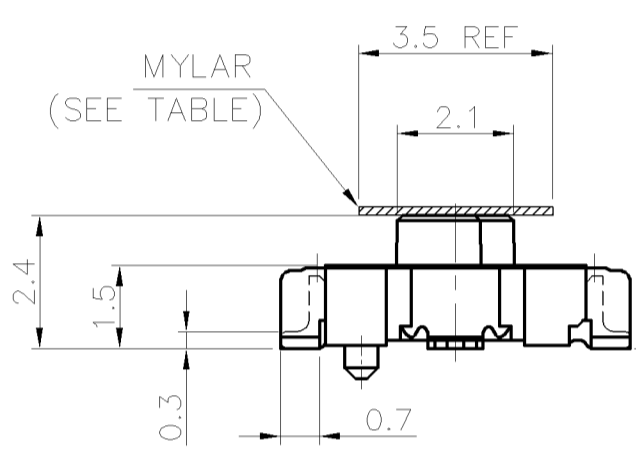
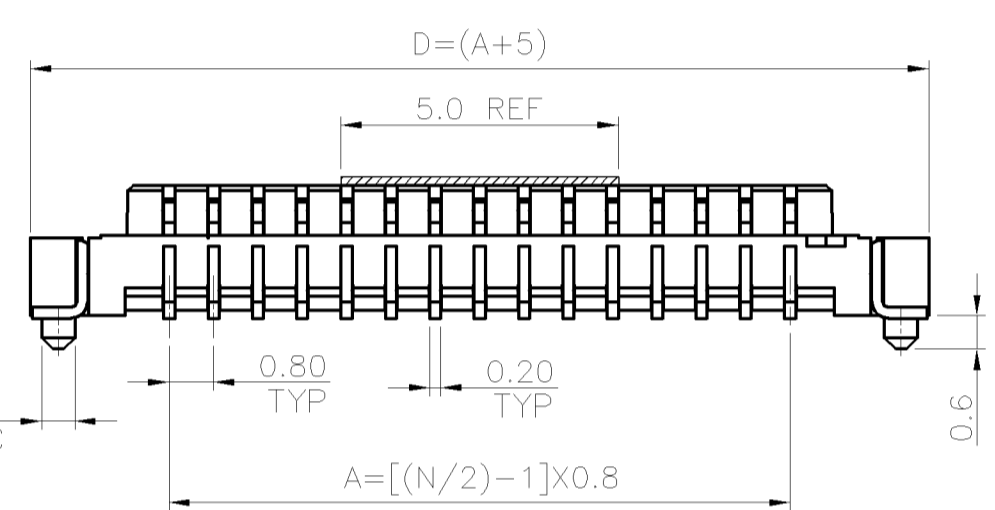
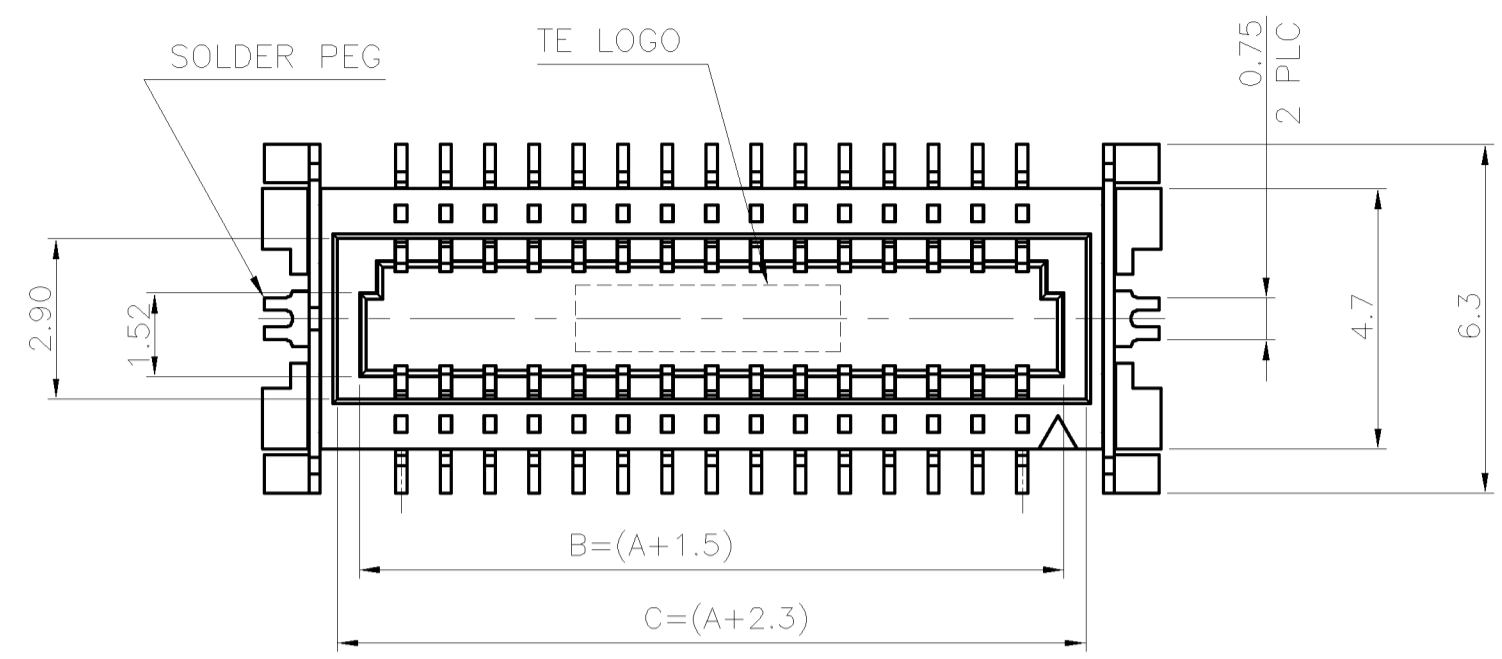
Email & Skype: info@chipsmall.com Web: www.chipsmall.com

Address: A1208, Overseas Decoration Building, #122 Zhenhua RD., Futian, Shenzhen, China

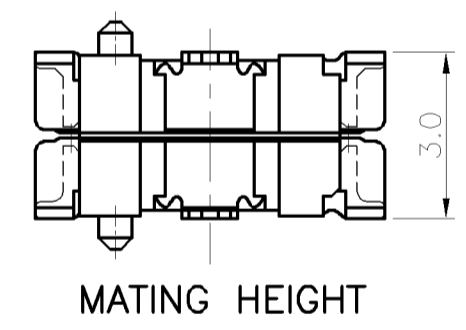


THIS DRAWING IS UNPUBLISHED. RELEASED FOR PUBLICATION
 © COPYRIGHT 2010 BY TYCO ELECTRONICS CORPORATION. ALL RIGHTS RESERVED.

LOC	DIST	REVISIONS					
DW	—	P	LTR	DESCRIPTION	DATE	DWN	APVD
		E		ECR-10-010953	21MAY10	AW	WK



TOLERANCE: ±0.05, THICKNESS: 1.2
RECOMMENDED PCB LAYOUT
 (TOP VIEW)



- NOTES:
- MATERIAL:
 HOUSING: PA6T UL94 V-0, NATURAL COLOR.
 CONTACT: PHOSPHOR BRONZE.
 PEGS: BRASS.
 - FINISH:
 CONTACT: (SEE TABLE)
 PLATING A: 100μ" MIN. MATTE-TIN ON ENTIRE CONTACT.
 PLATING B: GOLD FLASH ON ENTIRE CONTACT.
 (WITH ENTIRE CONTACT UNDERPLATED 50μ" MIN. NICKEL)
 PEGS: 100μ" MIN. MATTE-TIN OVER 50μ" MIN. NICKEL UNDERPLATED.
 - PART NUMBER OF MATING PLUG:
 MATING HEIGHT:
 3 MM: X-1775014-X
 5 MM: X-1775015-X
 5.5 MM: X-1775149-X
 - REFLOW SOLDER CAPABLE TO 260°C PER TEC-109-201, CONDITION B.

W/	(SEE SHEET 3)	A	0.14	8	9	6.3	5.5	4.0	12	5-1775013-4
		B	0.259	15.2	16.2	13.5	12.7	11.2	30	5-1775013-3
W/O	(SEE SHEET 2)	A	0.330	19.2	20.2	17.5	16.7	15.2	40	4-1775013-0
			0.259	15.2	16.2	13.5	12.7	11.2	30	3-1775013-0
			0.217	12.8	13.8	11.1	10.3	8.8	24	2-1775013-4
			0.189	11.2	12.2	9.5	8.7	7.2	20	2-1775013-0
		B	0.133	8	9	6.3	5.5	4.0	12	1-1775013-2
			0.189	11.2	12.2	9.5	8.7	7.2	20	1775013-5
			0.330	19.2	20.2	17.5	16.7	15.2	40	1775013-4
			0.259	15.2	16.2	13.5	12.7	11.2	30	1775013-3
		0.217	12.8	13.8	11.1	10.3	8.8	24	1775013-2	
		0.133	8	9	6.3	5.5	4.0	12	1775013-1	
MYLAR	PACKAGE	CONTACT PLATING	WEIGHT (GRAMS)	DIMENSIONS					NO. OF CONTACTS	PART NUMBER
				E	D	C	B	A		

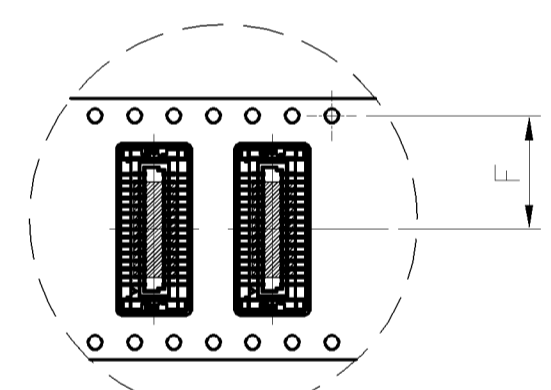
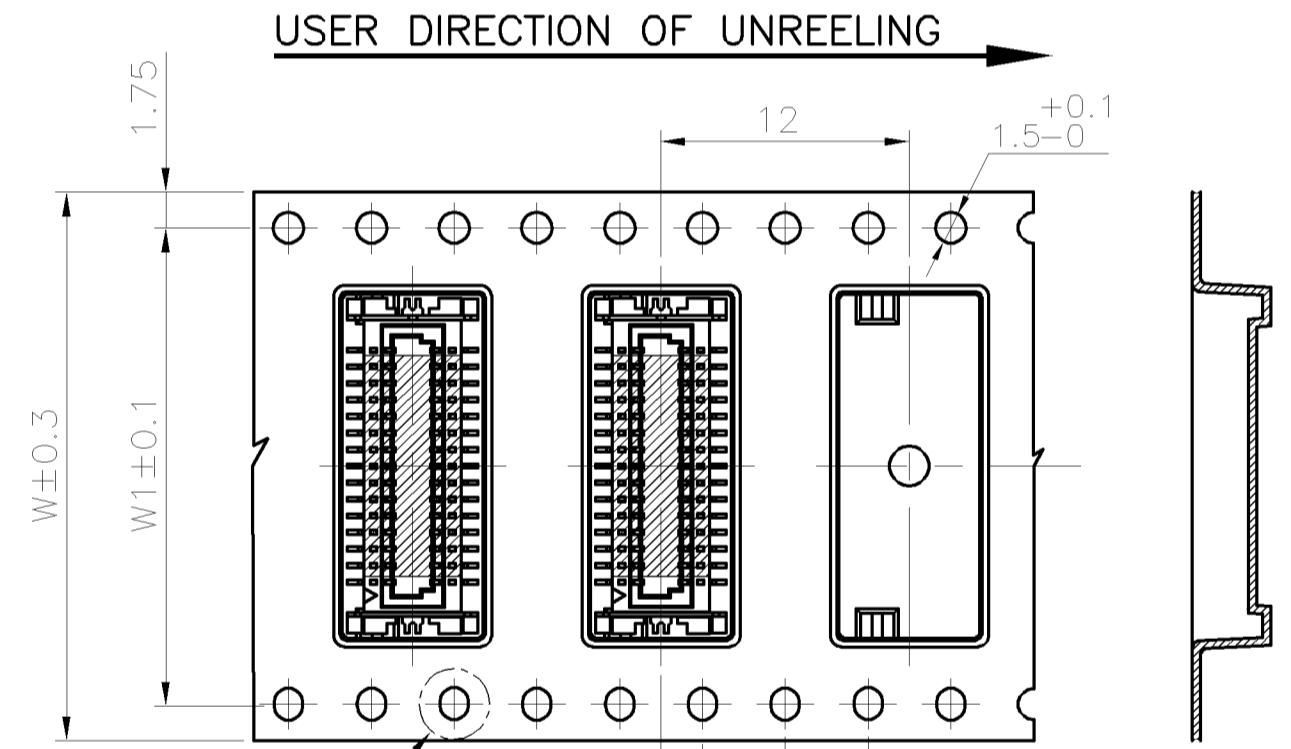
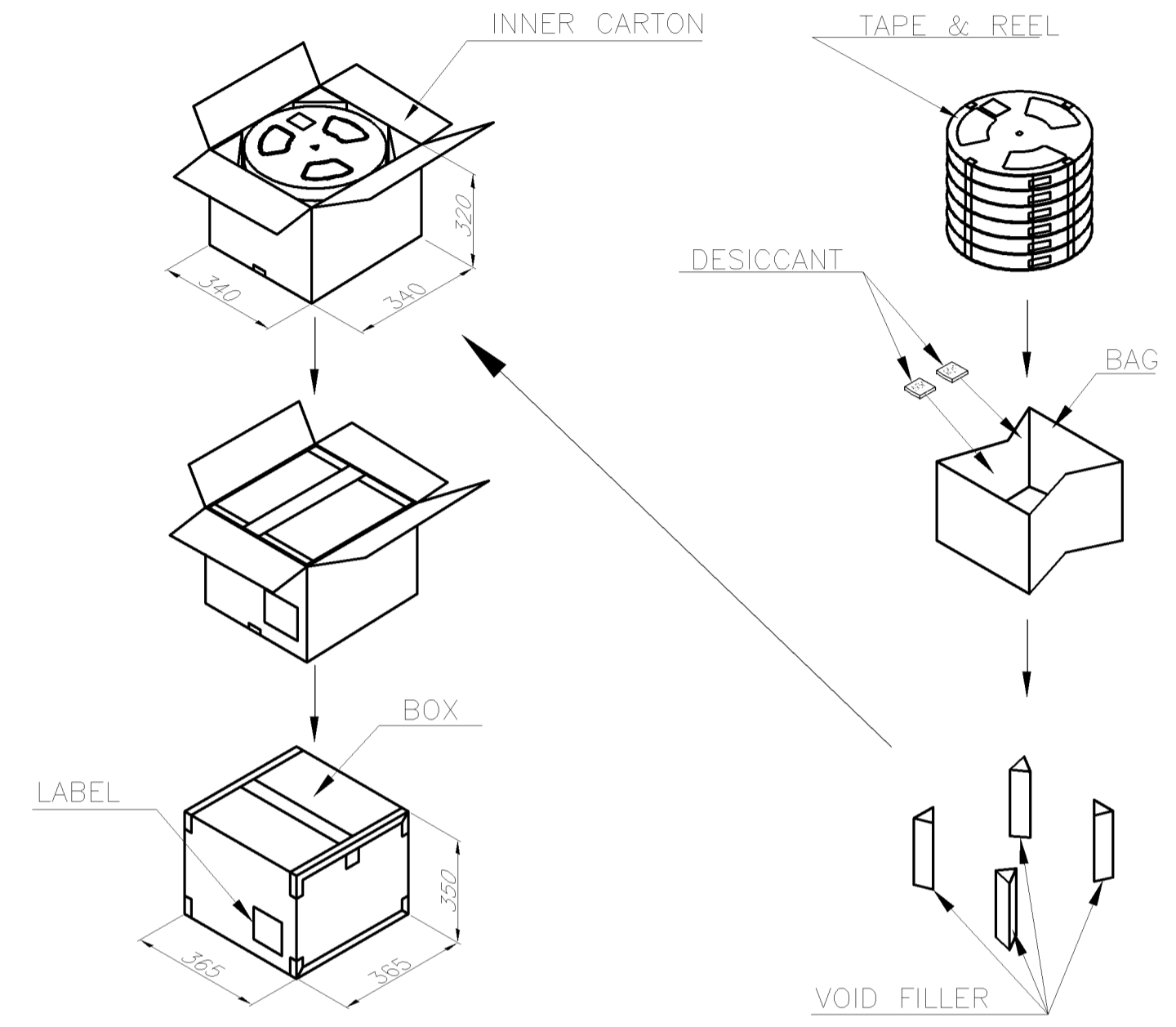
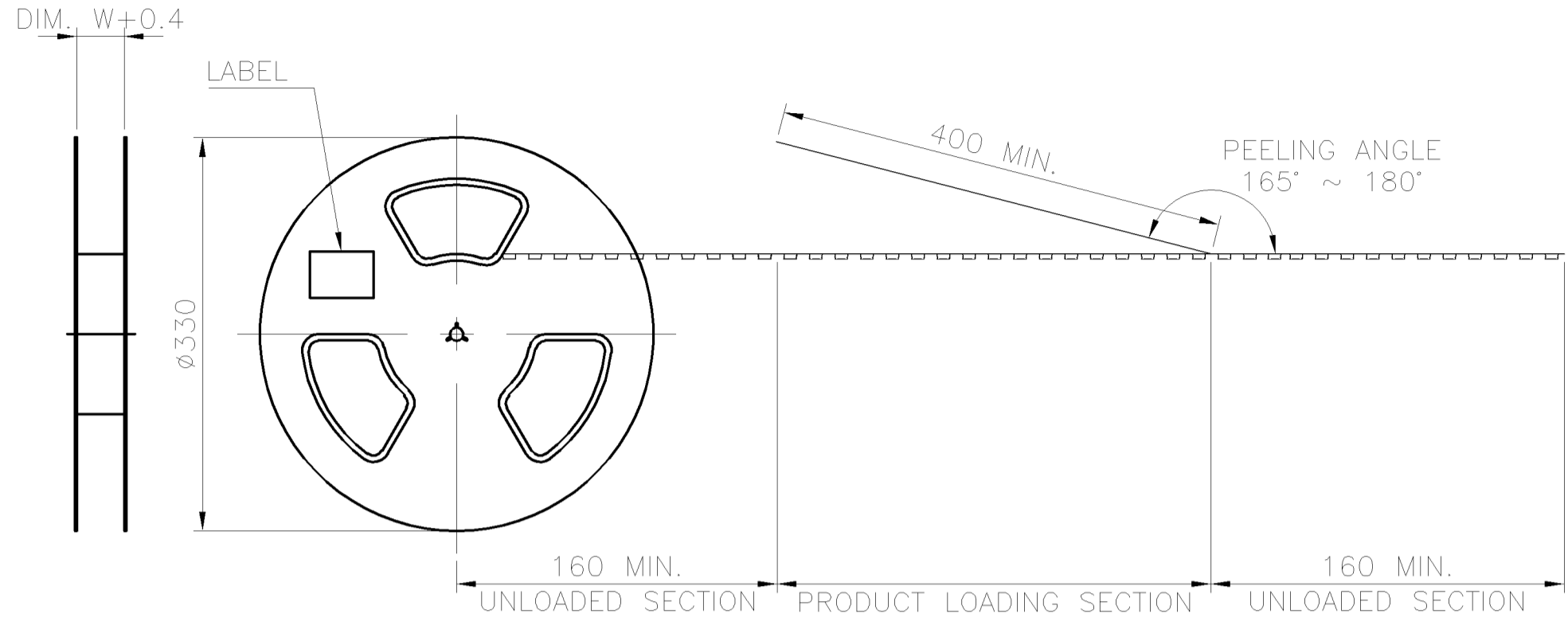
THIS DRAWING IS A CONTROLLED DOCUMENT.

DWN A. WU 19JUL2004	Tyco Electronics Corporation Taipei, Taiwan
CHK S. HOU 19JUL2004	
APVD T. KE 19JUL2004	
PRODUCT SPEC 108-57488	
MATERIAL SEE NOTE	FINISH SEE NOTE
CUSTOMER DRAWING	

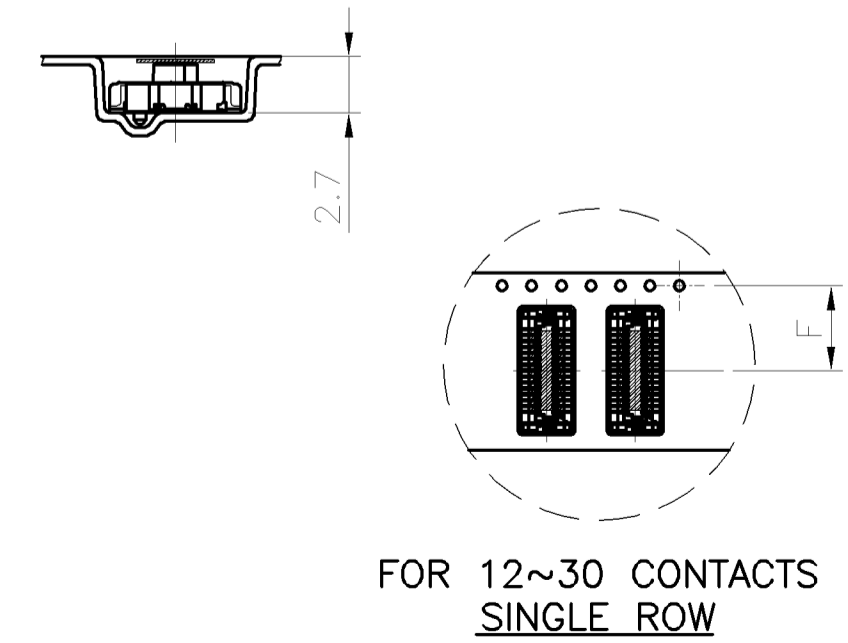
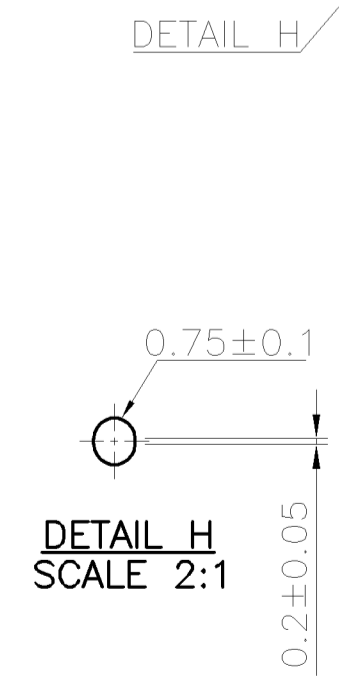
NAME	BOARD TO BOARD CONNECTOR, 0.8mm PITCH, FINE-STACK, RECEPTACLE		
SIZE	CAGE CODE	DRAWING NO	RESTRICTED TO
A3	00779	C-1775013	—
SCALE	SHEET	REV	
—	1 OF 3	E	

THIS DRAWING IS UNPUBLISHED. RELEASED FOR PUBLICATION
 © COPYRIGHT 2010 BY TYCO ELECTRONICS CORPORATION. ALL RIGHTS RESERVED.

LOC	DIST	REVISIONS			
P	LTR	DESCRIPTION	DATE	DWN	APVD
DW	—	SEE SHEET 1.			



FOR 40 CONTACTS
DUAL ROW



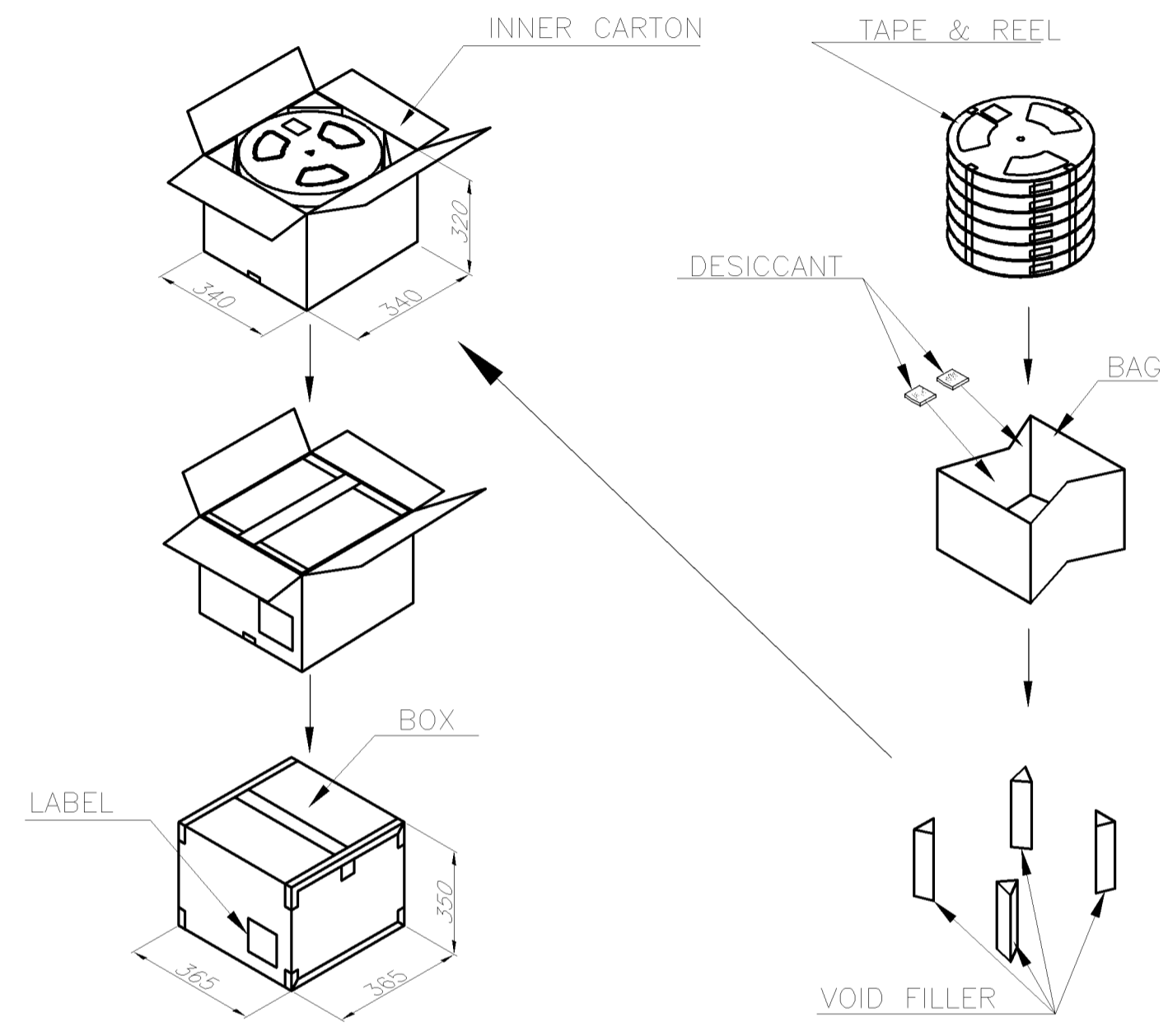
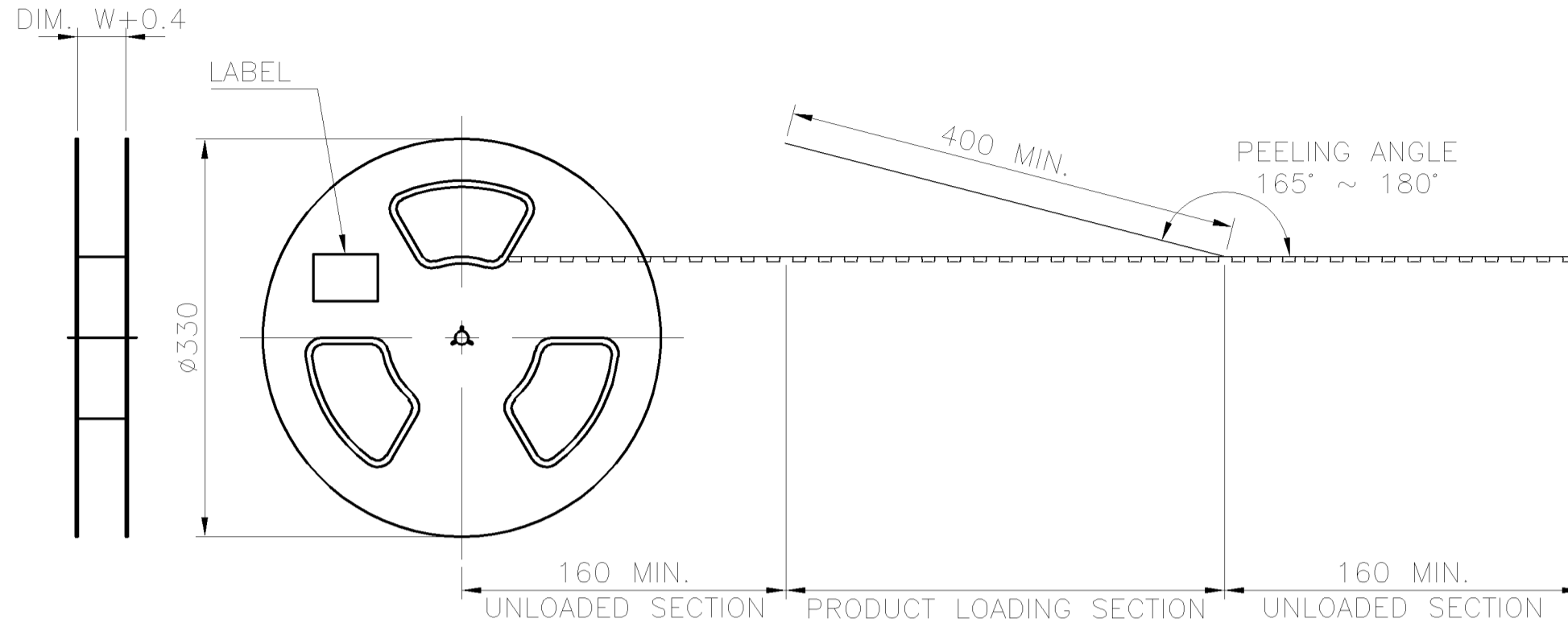
FOR 12~30 CONTACTS
SINGLE ROW

QUNTITY	PCS/TAPE	REELS/BOX	W	W1	F	G/W (Kg)	N/W (Kg)	NO. OF CONTACTS	PART NUMBER
12000	1500	8	32	28.4	14.2	10.5	4.75	40	4-1775013-0
15000	1500	10	24	11.5	11.5	10.0	3.88	30	3-1775013-0
						9.5	3.26	24	2-1775013-4
						9.3	2.28	20	2-1775013-0
12000	1500	8	32	28.4	14.2	10.5	4.75	40	1775013-5
						10.0	3.88	30	1775013-4
						9.5	3.26	24	1775013-3
15000	1500	10	24	11.5	11.5	9.5	3.26	24	1775013-2
						8.5	1.99	12	1775013-1
						8.5	1.99	12	1775013-1

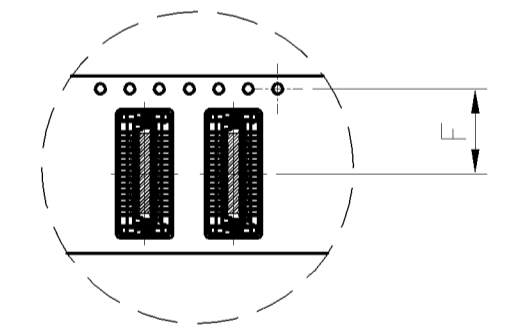
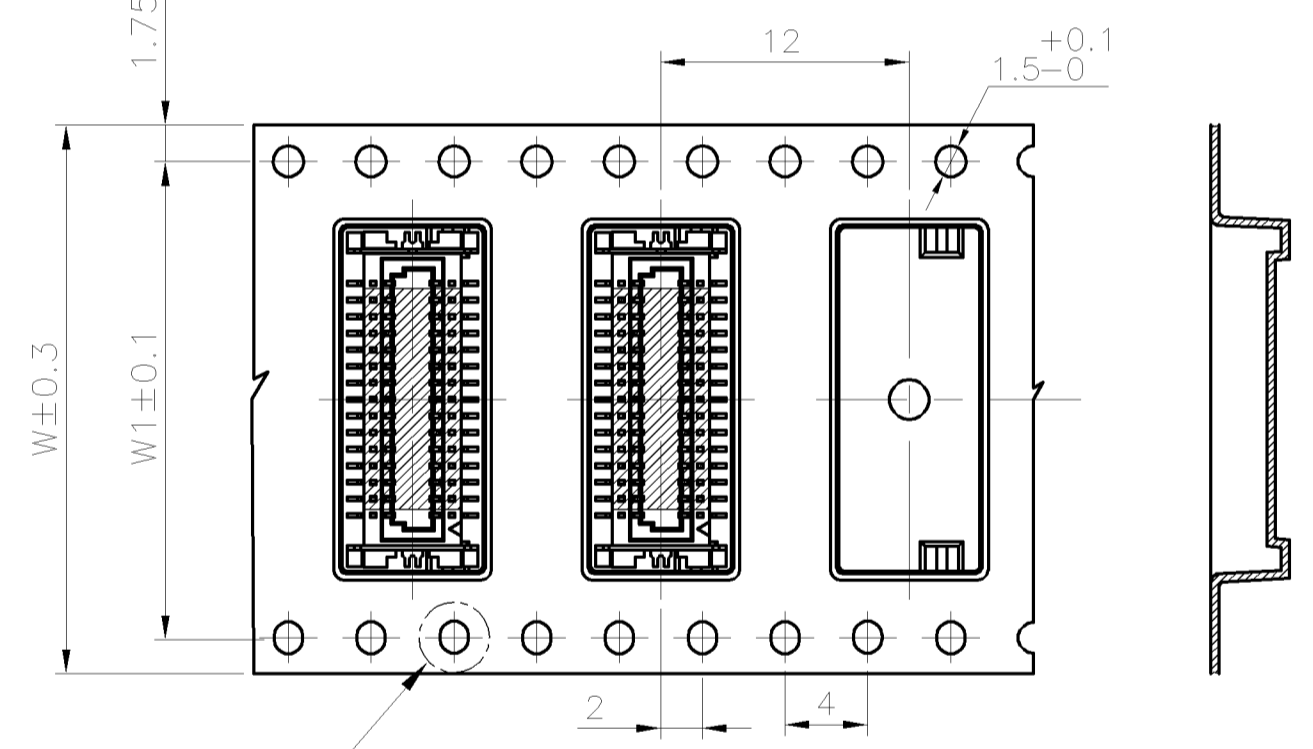
THIS DRAWING IS A CONTROLLED DOCUMENT.		DWN A. WU 19JUL2004	Tyco Electronics Corporation Taipei, Taiwan			
DIMENSIONS: MM		CHK S. HOU 19JUL2004				
TOLERANCES UNLESS OTHERWISE SPECIFIED:		APVD T. KE 19JUL2004	NAME			
0 PLC ± - 1 PLC ± - 2 PLC ± - 3 PLC ± - 4 PLC ± - ANGLES ± -		PRODUCT SPEC	BOARD TO BOARD CONNECTOR, 0.8mm PITCH, FINE-STACK, RECEPTACLE			
MATERIAL		APPLICATION SPEC				
FINISH		WEIGHT	SIZE	CAGE CODE	DRAWING NO	RESTRICTED TO
			A3	00779	G-1775013	
CUSTOMER DRAWING			SCALE	SHEET	REV	
			—	2 OF 3	E	

THIS DRAWING IS UNPUBLISHED. RELEASED FOR PUBLICATION
 © COPYRIGHT 2010 BY TYCO ELECTRONICS CORPORATION. ALL RIGHTS RESERVED.

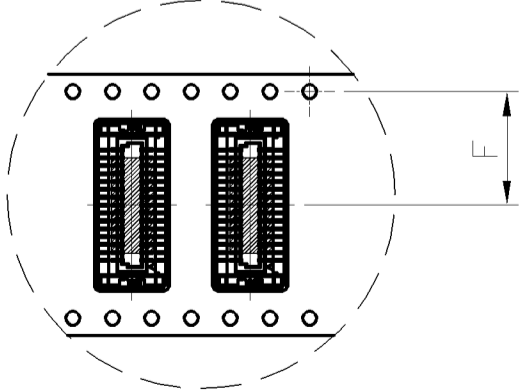
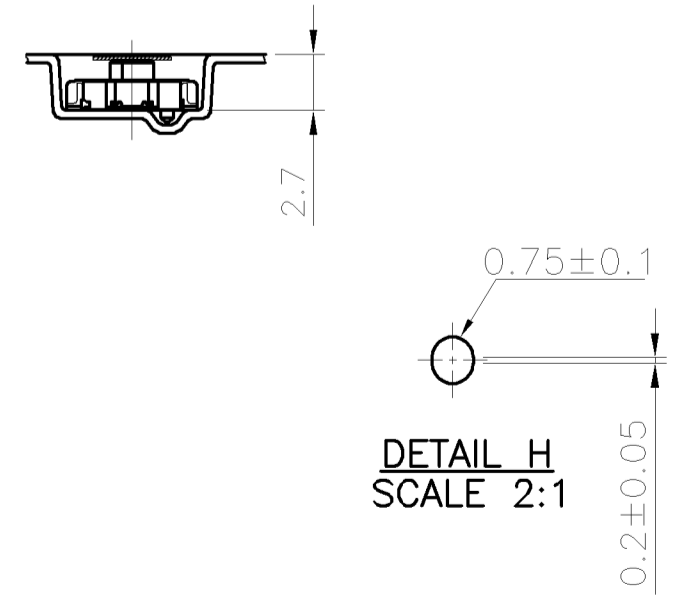
LOC	DIST	REVISIONS			
P	LTR	DESCRIPTION	DATE	DWN	APVD
DW	—	SEE SHEET 1.			



USER DIRECTION OF UNREELING →



FOR 12~30 CONTACTS SINGLE ROW



FOR 40 CONTACTS DUAL ROW

15000	1500	10	24	11.5	9.0	2.10	12	5-1775013-4	
15000	1500	10	24	11.5	10.0	3.88	30	5-1775013-3	
QUTANTITY	PCS/TAPE	REELS/BOX	W	W1	F	G/W (Kg)	N/W (Kg)	NO. OF CONTACTS	PART NUMBER

THIS DRAWING IS A CONTROLLED DOCUMENT.		DWN A. WU 19JUL2004	Tyco Electronics Corporation Taipei, Taiwan	
DIMENSIONS: MM		CHK S. HOU 19JUL2004		
TOLERANCES UNLESS OTHERWISE SPECIFIED:		APVD T. KE 19JUL2004	NAME	
0 PLC ± -		PRODUCT SPEC	BOARD TO BOARD CONNECTOR, 0.8mm PITCH, FINE-STACK, RECEPTACLE	
1 PLC ± -		APPLICATION SPEC		
2 PLC ± -		WEIGHT	SIZE	CAGE CODE
3 PLC ± -		CUSTOMER DRAWING	A3 00779 C=1775013	
4 PLC ± -			SCALE	SHEET
ANGLES ± -			—	3 OF 3
FINISH				E