



Chipsmall Limited consists of a professional team with an average of over 10 year of expertise in the distribution of electronic components. Based in Hongkong, we have already established firm and mutual-benefit business relationships with customers from,Europe,America and south Asia,supplying obsolete and hard-to-find components to meet their specific needs.

With the principle of “Quality Parts,Customers Priority,Honest Operation,and Considerate Service”,our business mainly focus on the distribution of electronic components. Line cards we deal with include Microchip,ALPS,ROHM,Xilinx,Pulse,ON,Everlight and Freescale. Main products comprise IC,Modules,Potentiometer,IC Socket,Relay,Connector.Our parts cover such applications as commercial,industrial, and automotives areas.

We are looking forward to setting up business relationship with you and hope to provide you with the best service and solution. Let us make a better world for our industry!



Contact us

Tel: +86-755-8981 8866 Fax: +86-755-8427 6832

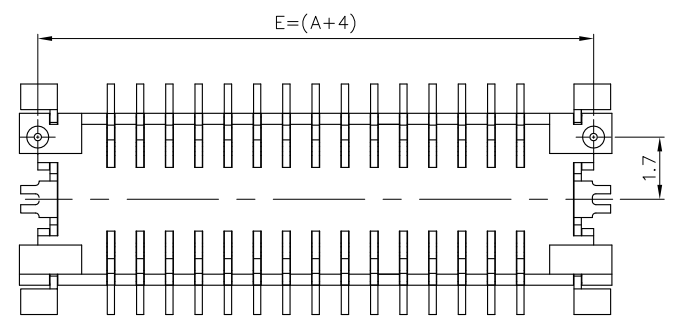
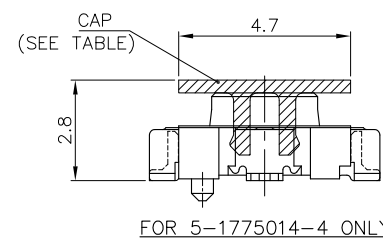
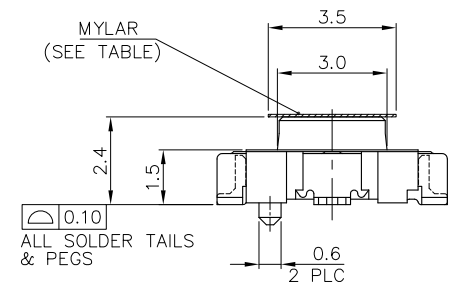
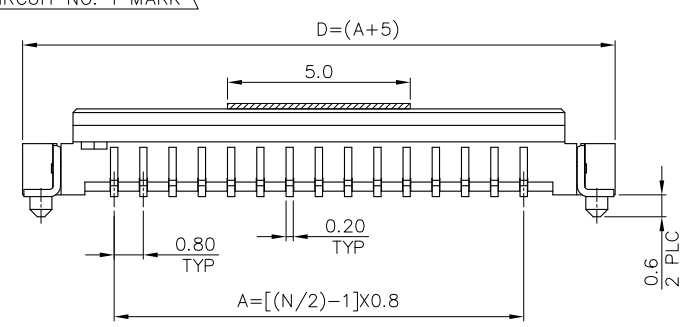
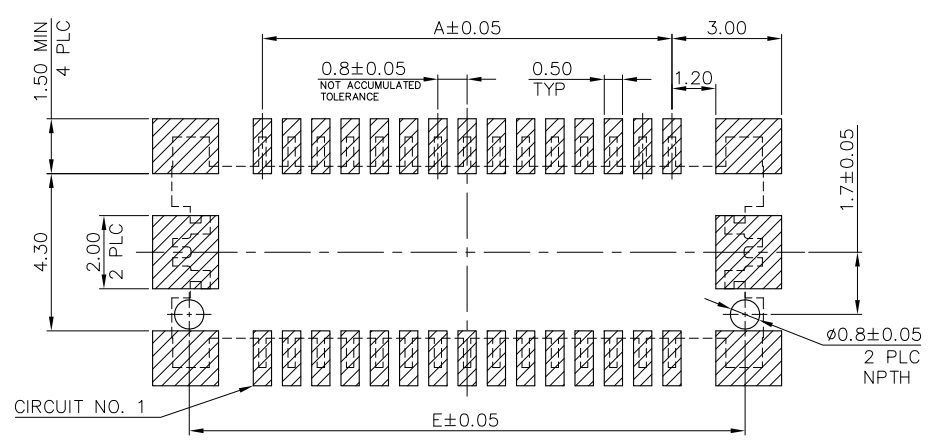
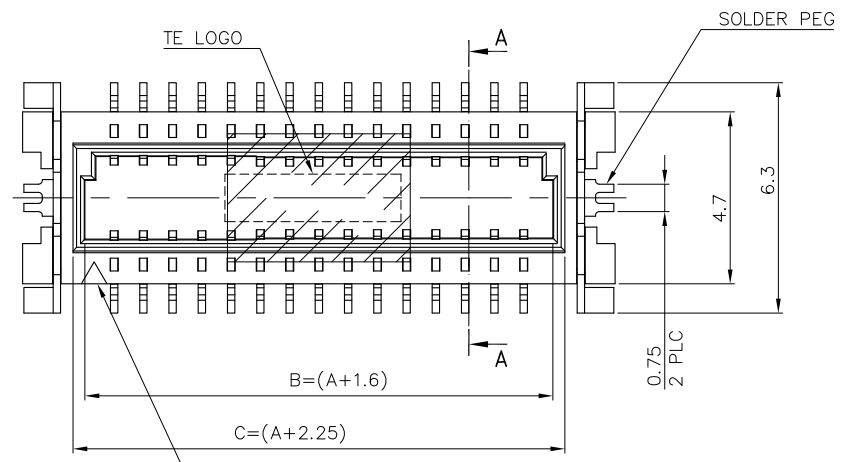
Email & Skype: info@chipsmall.com Web: www.chipsmall.com

Address: A1208, Overseas Decoration Building, #122 Zhenhua RD., Futian, Shenzhen, China



THIS DRAWING IS UNPUBLISHED. RELEASED FOR PUBLICATION
 © COPYRIGHT 2013 BY TE CONNECTIVITY. ALL RIGHTS RESERVED.

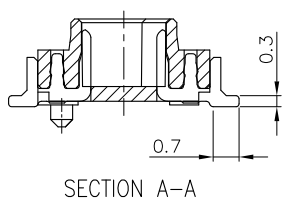
LOC	DIST	REVISIONS			DATE	DWN	APVD
DW	-	P	LTR	DESCRIPTION			
		E		ECR-13-004285	08MAR13	AW	WK



NOTES:

- MATERIAL:
 HOUSING: PA6T, UL94 V-0, NATURAL COLOR.
 CONTACTS: PHOSPHOR BRONZE.
 PEGS: BRASS.
- FINISH:
 CONTACTS: (SEE TABLE)
 PLATING B: GOLD FLASH ON ENTIRE CONTACT.
 PLATING C: 100μ" MIN. MATTE-TIN ON ENTIRE CONTACT.
 (WITH ENTIRE CONTACT UNDERPLATED 50μ" MIN. NICKEL.)
 PEGS: 100μ" MIN. TIN OR MATTE-TIN OVER 50μ" MIN. NICKEL.
- PART NUMBER OF MATING RECEPTACLE: X-1775013-X
- REFLOW SOLDER CAPABLE TO 260°C AS PER
 TEC-109-201, CONDITION B.

CAP OR MYLAR	CONTACT PLATING	WEIGHT (GRAMS)	DIMENSIONS						NO. OF CONTACTS	PART NUMBER
			E	D	C	B	A			
CAP	C	0.155	8	9	6.25	5.6	4.0	12	5-1775014-4	
MYLAR	B	0.236	15.2	16.2	13.45	12.8	11.2	30	5-1775014-2	
		0.298	19.2	20.2	17.45	16.8	15.2	40	4-1775014-0	
MYLAR	C	0.236	15.2	16.2	13.45	12.8	11.2	30	3-1775014-0	
		0.199	12.8	13.8	11.05	10.4	8.8	24	2-1775014-4	
N/A	C	0.125	8	9	6.25	5.6	4.0	12	1-1775014-2	
		0.29	19.2	20.2	17.45	16.8	15.2	40	1775014-8	
MYLAR	B	0.23	15.2	16.2	13.45	12.8	11.2	30	1775014-7	
		0.19	12.8	13.8	11.05	10.4	8.8	24	1775014-6	
MYLAR	B	0.12	8	9	6.25	5.6	4.0	12	1775014-5	
		0.298	19.2	20.2	17.45	16.8	15.2	40	1775014-4	
MYLAR	B	0.236	15.2	16.2	13.45	12.8	11.2	30	1775014-3	
		0.199	12.8	13.8	11.05	10.4	8.8	24	1775014-2	
		0.125	8	9	6.25	5.6	4.0	12	1775014-1	



5. SUBSTANCE RESTRICTIONS FOR LOW HALOGEN (BY WEIGHT):
 BROMINE (Br) ≤ 900 PPM (0.09%)
 CHLORINE (Cl) ≤ 900 PPM (0.09%)
 TOTAL CONCENTRATION OF (Cl) + (Br) ≤ 1500 PPM (0.15%)

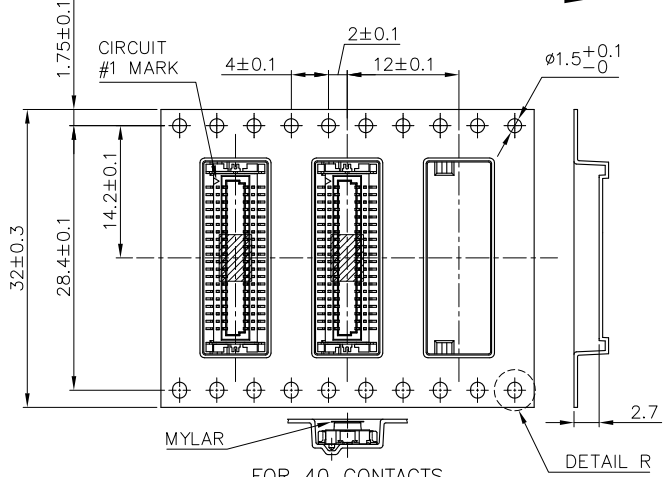
THIS DRAWING IS A CONTROLLED DOCUMENT.

DIMENSIONS: MM	TOLERANCES UNLESS OTHERWISE SPECIFIED:	DWN A. WU 05FEB2013	TE Connectivity BOARD TO BOARD CONNECTOR, 0.8mm PITCH, FINE-STACK, 3H, PLUG
0 PLC ± -	1 PLC ± 0.3	CHK S. CHIEN 05FEB2013	
2 PLC ± 0.2	3 PLC ± 0.15	APVD W. KODAMA 05FEB2013	NAME
4 PLC ANGLES ± ± -		PRODUCT SPEC	108-57488
MATERIAL SEE NOTE	FINISH SEE NOTE	APPLICATION SPEC	SIZE CAGE CODE DRAWING NO RESTRICTED TO
		WEIGHT SEE TABLE	A3 00779 ©-1775014
		CUSTOMER DRAWING	SCALE SHEET 1 OF 2 REV E

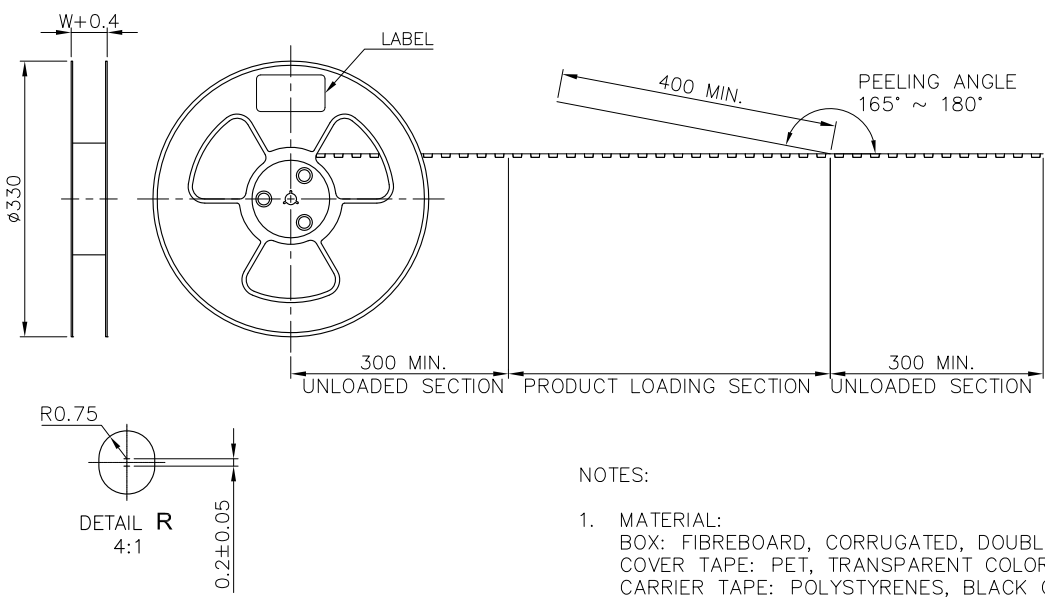
THIS DRAWING IS UNPUBLISHED. RELEASED FOR PUBLICATION
 © COPYRIGHT 2013 BY TE CONNECTIVITY. ALL RIGHTS RESERVED.

LOC	DIST	REVISIONS		
DW	-	P	LTR	DESCRIPTION
				DATE
				DWN
				APVD
SEE SHEET 1				

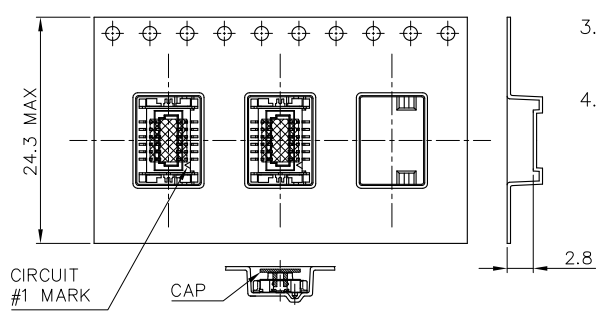
USER DIRECTION OF UNREELING →



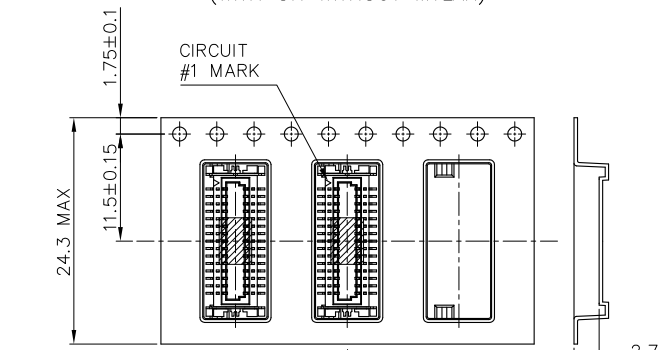
FOR 40 CONTACTS
(WITH OR WITHOUT MYLAR)



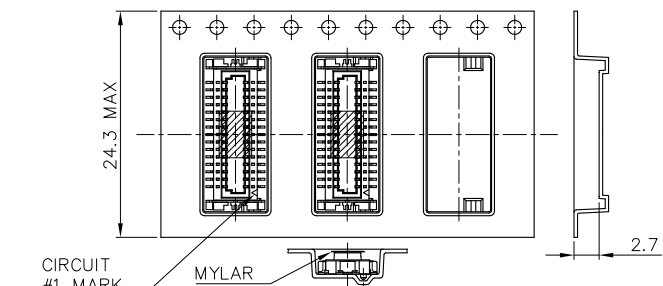
USER DIRECTION OF UNREELING →



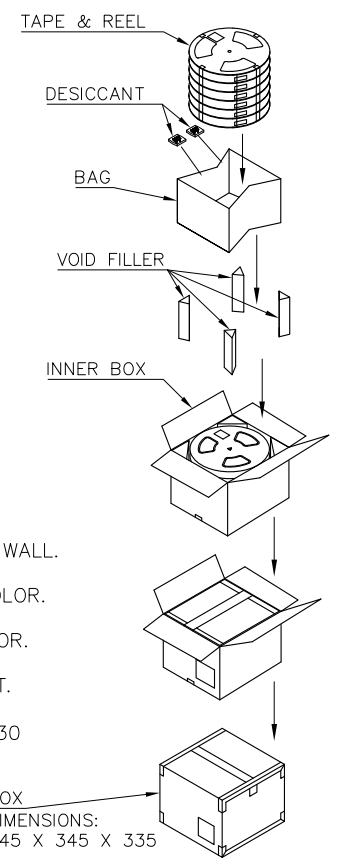
FOR 5-1775014-4 ONLY



FOR 12, 24 & 30 CONTACTS
(WITH OR WITHOUT MYLAR)



FOR 5-1775014-2 ONLY



NOTES:

- MATERIAL:
 BOX: FIBREBOARD, CORRUGATED, DOUBLE WALL.
 COVER TAPE: PET, TRANSPARENT COLOR.
 CARRIER TAPE: POLYSTYRENES, BLACK COLOR.
 REEL: HIPS, BLUE COLOR.
 BAG: POLYETHYLENES, TRANSPARENT COLOR.
- EACH BAG SHALL BE INCLUDED DESICCANT.
- PEELING STRENGTH: 0.1 ~ 1.3 N (10 ~ 130 GRAMS).
- PEELING SPEED: 300 mm/min.

12000	1500	8	12.35	4.85	40
15000	1500	10	11.2	3.9	30
15000	1500	10	10.12	3.25	24
15000	1500	10	9.25	2.35	12
QUANTITY	PCS /TAPE	REELS /BOX	G/W (Kg)	N/W (Kg)	NO. OF CONTACTS

THIS DRAWING IS A CONTROLLED DOCUMENT.		DWN	-	TE Connectivity	
DIMENSIONS: MM		CHK	-		
TOLERANCES UNLESS OTHERWISE SPECIFIED:		APVD	-	NAME	
0 PLC ±		PRODUCT SPEC		BOARD TO BOARD CONNECTOR, 0.8mm PITCH, FINE-STACK, 3H, PLUG	
1 PLC ±		APPLICATION SPEC		RESTRICTED TO	
2 PLC ±		SIZE	A3	CAGE CODE	00779
3 PLC ±		DRAWING NO	C=1775014		SCALE
4 PLC ±		WEIGHT	CUSTOMER DRAWING		SHEET
ANGLES ±		SCALE		2 of 2	
FINISH		SHEET		REV E	