



Chipsmall Limited consists of a professional team with an average of over 10 year of expertise in the distribution of electronic components. Based in Hongkong, we have already established firm and mutual-benefit business relationships with customers from,Europe,America and south Asia,supplying obsolete and hard-to-find components to meet their specific needs.

With the principle of "Quality Parts,Customers Priority,Honest Operation,and Considerate Service",our business mainly focus on the distribution of electronic components. Line cards we deal with include Microchip,ALPS,ROHM,Xilinx,Pulse,ON,Everlight and Freescale. Main products comprise IC,Modules,Potentiometer,IC Socket,Relay,Connector.Our parts cover such applications as commercial,industrial, and automotives areas.

We are looking forward to setting up business relationship with you and hope to provide you with the best service and solution. Let us make a better world for our industry!



Contact us

Tel: +86-755-8981 8866 Fax: +86-755-8427 6832

Email & Skype: info@chipsmall.com Web: www.chipsmall.com

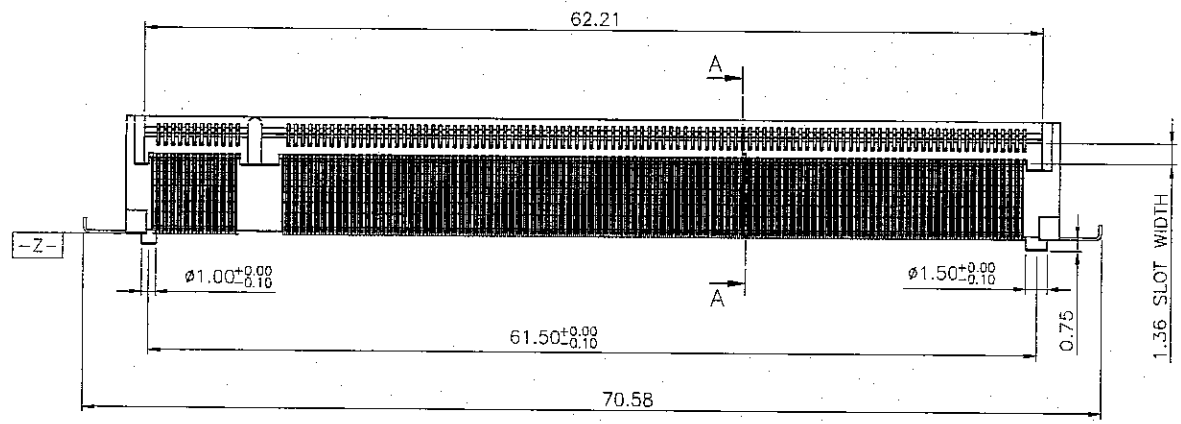
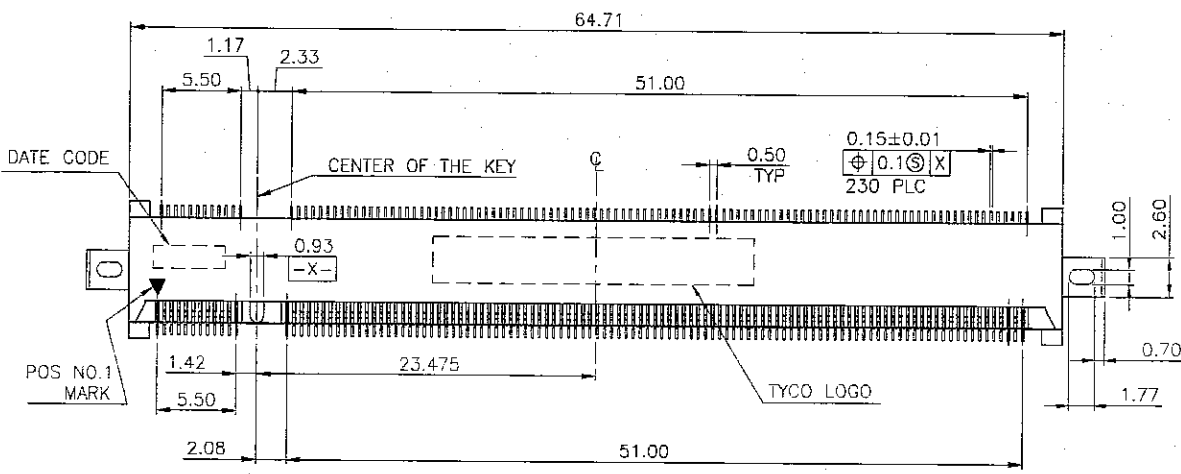
Address: A1208, Overseas Decoration Building, #122 Zhenhua RD., Futian, Shenzhen, China



NUMBER C-1775063

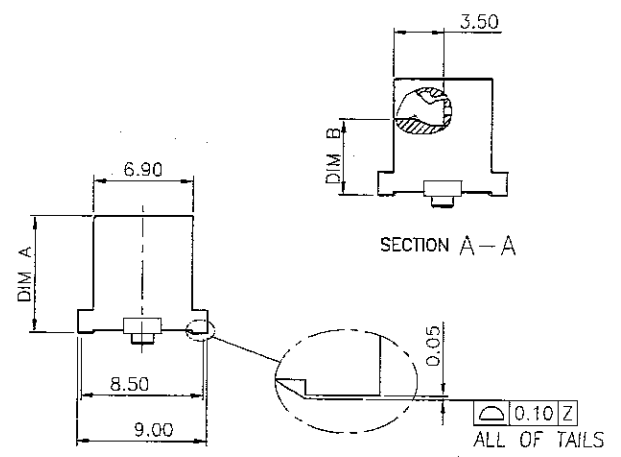
METRIC 3RD ANGLE PROJECTION

PRINT DW
THIS INFORMATION IS CONFIDENTIAL AND IS DISCLOSED TO YOU ON CONDITION THAT NO FURTHER DISCLOSURE IS MADE BY YOU TO OTHER THAN AMP PERSONNEL WITHOUT DIMENSIONS IN MILLIMETERS. DO NOT SCALE PRINT.



NOTE:

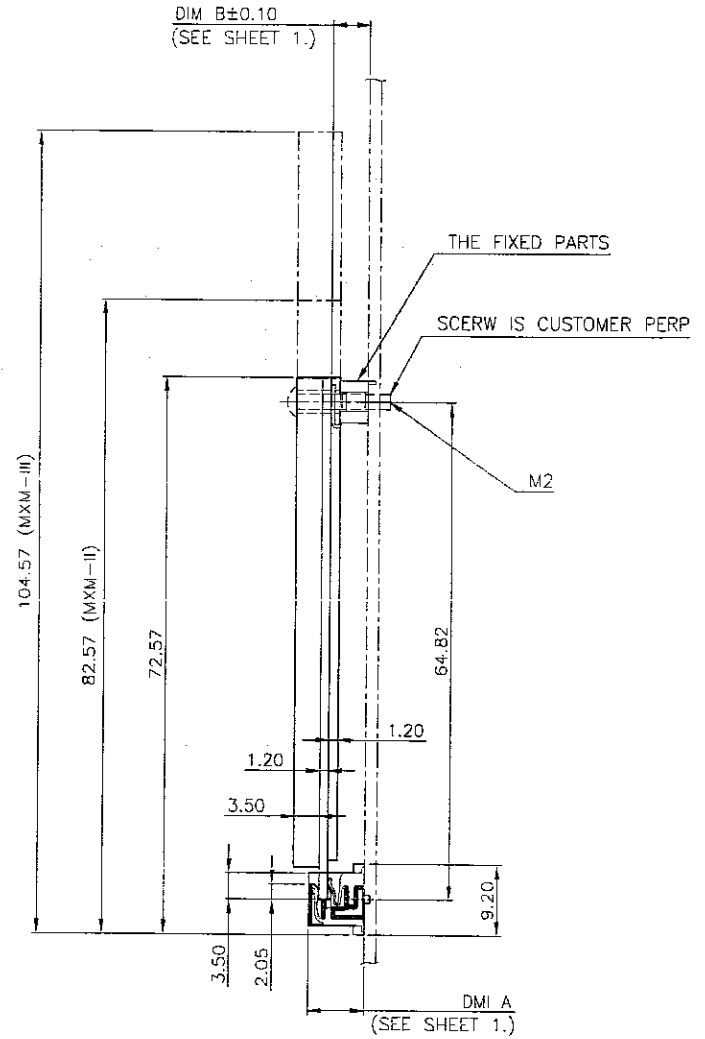
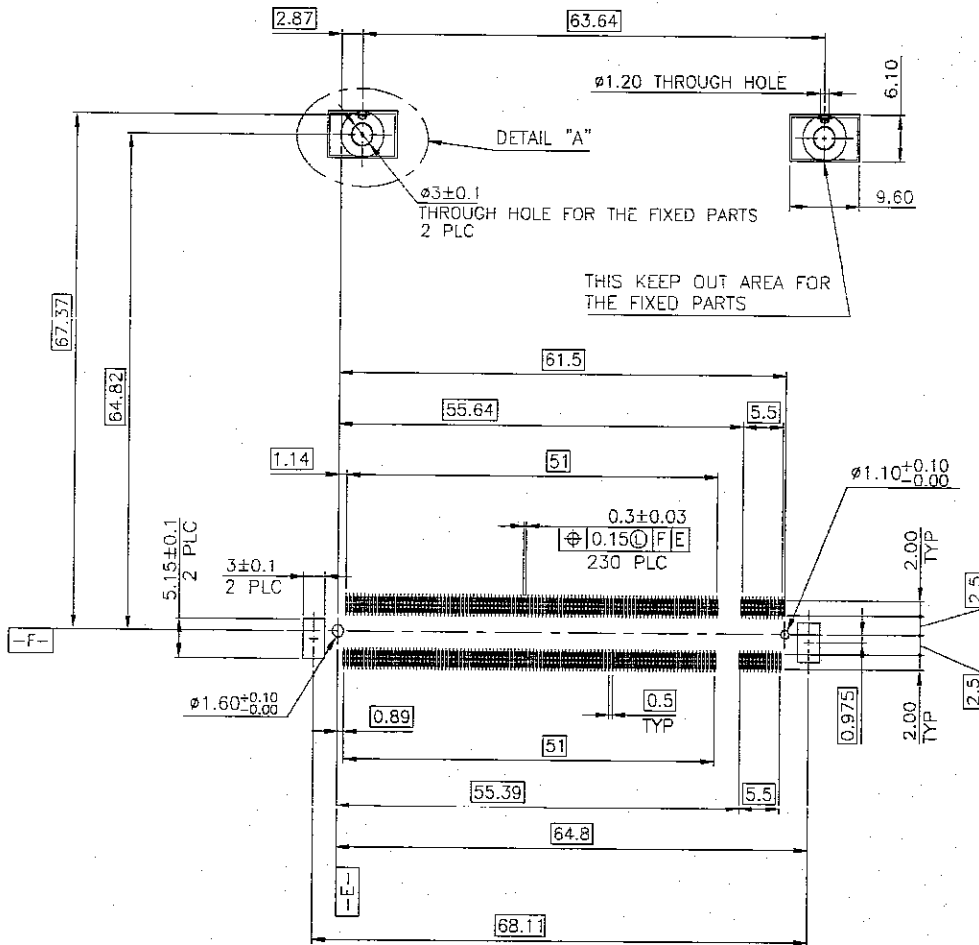
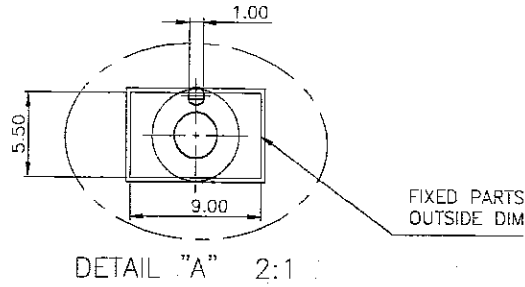
- MATERIAL:
HOUSING: THERMOPLASTIC (LCP) WITH 30% GF, UL 94V-0, COLOR: (SEE TABLE)
CONTACTS: PHOSPHOR BRONZE.
SOLDER PEG: BRASS.
- FINISH:
CONTACTS: GOLD PLATED (SEE TABLE) OVER 1.27μm [50μ'] MIN. NICKEL ON ENTIRE CONTACT.
SOLDER PEG: 2.54μm [100μ'] MIN. MATTE-TIN OVER 1.27μm [50μ'] MIN. NICKEL.
- REFLOW SOLDER CAPABLE TO 260°C AS PER TYCO SPEC. 109-201, CONDITION B.



0.318μm [15μ']	WHITE	3.6 g	5.18	2.7	1775063-8
	BLACK <td>5.6 g <td>7.63 <td>5.0 <td>1775063-7</td> </td></td></td>	5.6 g <td>7.63 <td>5.0 <td>1775063-7</td> </td></td>	7.63 <td>5.0 <td>1775063-7</td> </td>	5.0 <td>1775063-7</td>	1775063-7
		3.6 g <td>7.63 <td>5.0 <td>1775063-5</td> </td></td>	7.63 <td>5.0 <td>1775063-5</td> </td>	5.0 <td>1775063-5</td>	1775063-5
		3.6 g <td>5.18 <td>2.7 <td>1775063-4</td> </td></td>	5.18 <td>2.7 <td>1775063-4</td> </td>	2.7 <td>1775063-4</td>	1775063-4
	WHITE	5.6 g <td>7.63 <td>5.0 <td>1775063-3</td> </td></td>	7.63 <td>5.0 <td>1775063-3</td> </td>	5.0 <td>1775063-3</td>	1775063-3
	BLACK	3.6 g <td>5.18 <td>2.7 <td>1775063-2</td> </td></td>	5.18 <td>2.7 <td>1775063-2</td> </td>	2.7 <td>1775063-2</td>	1775063-2
		5.6 g <td>7.63 <td>5.0 <td>1775063-1</td> </td></td>	7.63 <td>5.0 <td>1775063-1</td> </td>	5.0 <td>1775063-1</td>	1775063-1
MIN. GOLD THICKNESS	HSG. COLOR	WEIGHT	DIM A	DIM B	PART NUMBER

TOLERANCES UNLESS OTHERWISE SPECIFIED: 0 PLC ±1 1 PLC ±0.3 2 PLC ±0.25 3 PLC ±0.25 ANGLES ±3'	DWN A. WU 18-MAY-2007	tyco Tyco Electronics Corporation Taipei, Taiwan Electronics NAME BOARD TO BOARD CONNECTOR, 230 POSITION
SEE NOTE 1.	CHK S. HOU 18-MAY-2007	
MATERIAL	APVD W.J. KE 18-MAY-2007	LOC SIZE DRAWING NO DW A ₃ C-1775063 SCALE SHEET -- 1 OF 4
FINISH	PRODUCT SPEC 108-57544 QUALIFICATION TEST REPORT 501-57630 WEIGHT SEE TABLE	

REV	DESCRIPTION	ECN	AW	SH	DATE
A1	REVISE TOLERANCES	ECR-07-011799	AW	SH	18MAY 2007
A	REVISE PACKAGING	ECR-06-017404	AW	SH	19JUL 2006
0	FIRST RELEASED	---	AW	SH	19MAY 2005
LTR	REVISION RECORD	ECN	DWN	CHK	DATE



RECOMENDED PCB LAYOUT

TOLERANCES UNLESS OTHERWISE SPECIFIED:		DWN	A. WU	tyco	Tyco Electronics Corporation
0 PLC	±-		18-MAY-2007	Electronics	Taipei, Taiwan
1 PLC	±-	CHK	S. HOU	NAME	
2 PLC	±0.25		18-MAY-2007	BOARD TO BOARD CONNECTOR, 230 POSITION	
3 PLC	±-	MATERIAL	APVD	W.J. KE	
ANGLES	±-			18-MAY-2007	
FINISH		QUALIFICATION TEST REPORT		LOC	SIZE
				DW	DRAWING NO
		WEIGHT		SCALE	SHEET
				--	2 OF 4

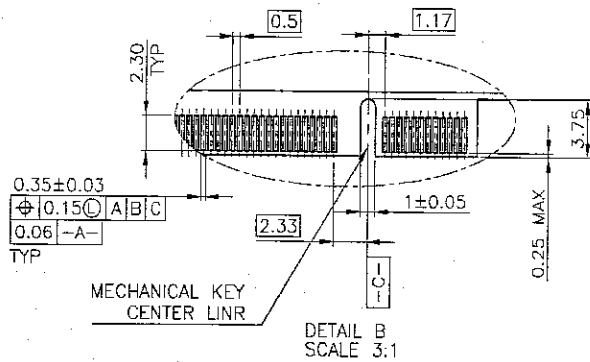
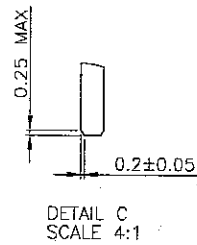
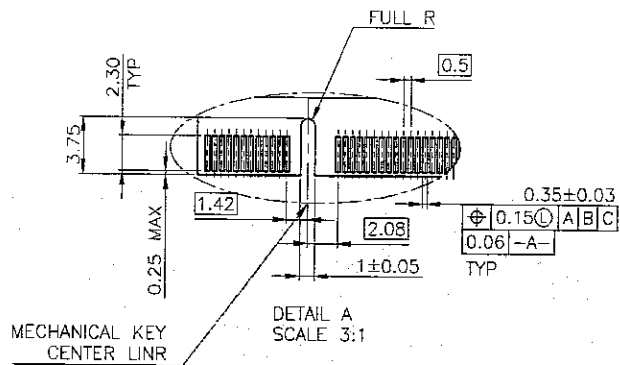
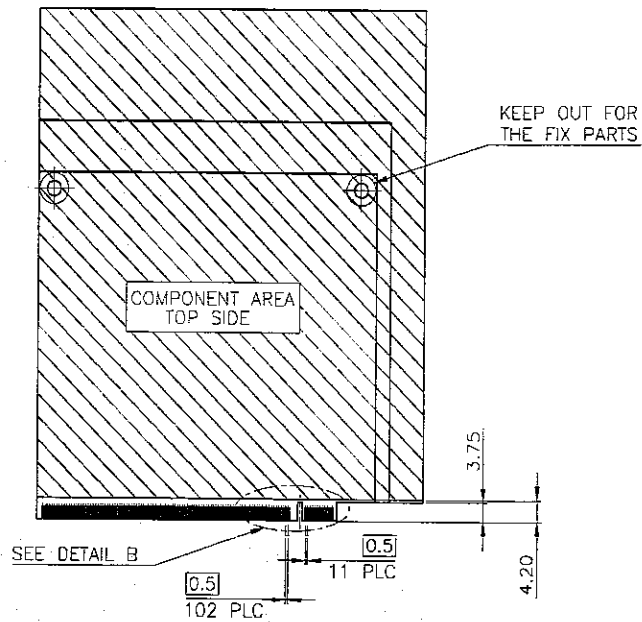
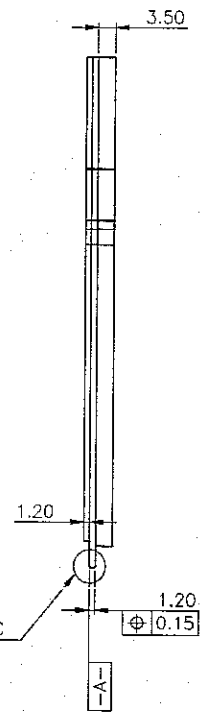
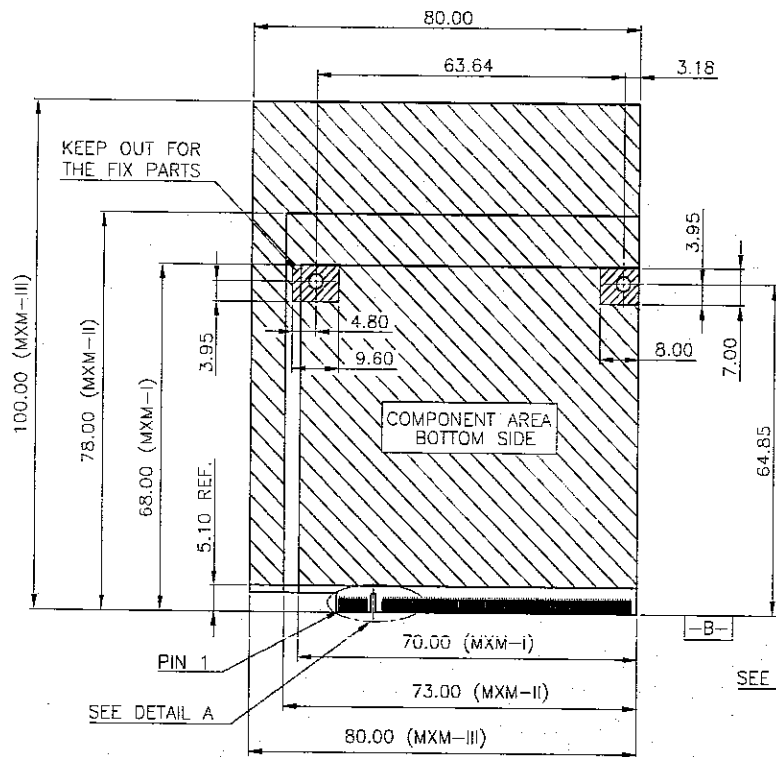
SEE SHEET 1.	ECN	DWN	CHK	DATE
LTR	REVISION RECORD			

NUMBER C-1775063



METRIC

THIS INFORMATION IS CONFIDENTIAL AND IS DISCLOSED TO YOU ON CONDITION THAT NO FURTHER DISCLOSURE IS MADE BY YOU TO OTHER THAN AMP PERSONNEL WITHOUT THE WRITTEN PERMISSION OF AMP (TAYWAN) LTD. ALL DIMENSIONS IN MILLIMETERS. DO NOT SCALE. PRINT.



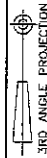
RECOMMENDED PCB MOUNT LAYOUT
TOLERANCE ±0.05

TOLERANCES UNLESS OTHERWISE SPECIFIED:	DWN	A. WU 18-MAY-2007	tyco Tyco Electronics Corporation Taipei, Taiwan
0 PLC ±-	CHK	S. HOU 18-MAY-2007	Electronics
1 PLC ±0.3	MATERIAL	APVD	NAME
2 PLC ±0.25	FINISH	W. J. KE 18-MAY-2007	BOARD TO BOARD CONNECTOR, 230 POSITION
3 PLC ±0.2	WEIGHT	QUALIFICATION TEST REPORT	LDC SIZE DRAWING NO DW A ₃ C-1775063
ANGLES ±3°			SCALE SHEET -- 3 OF 4
			REV A1

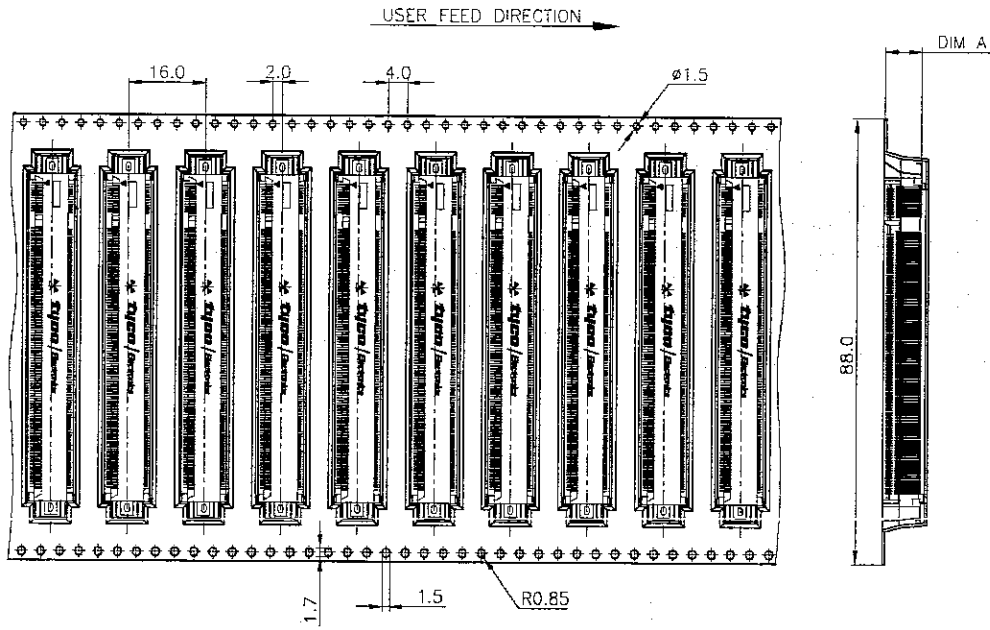
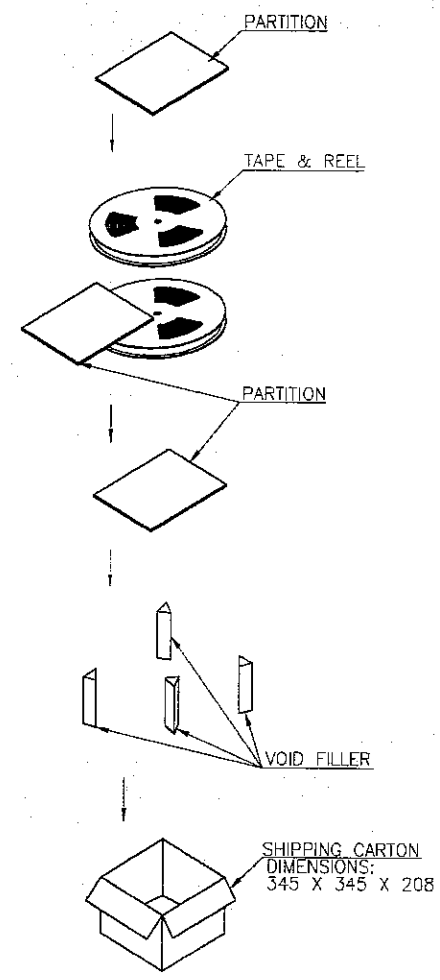
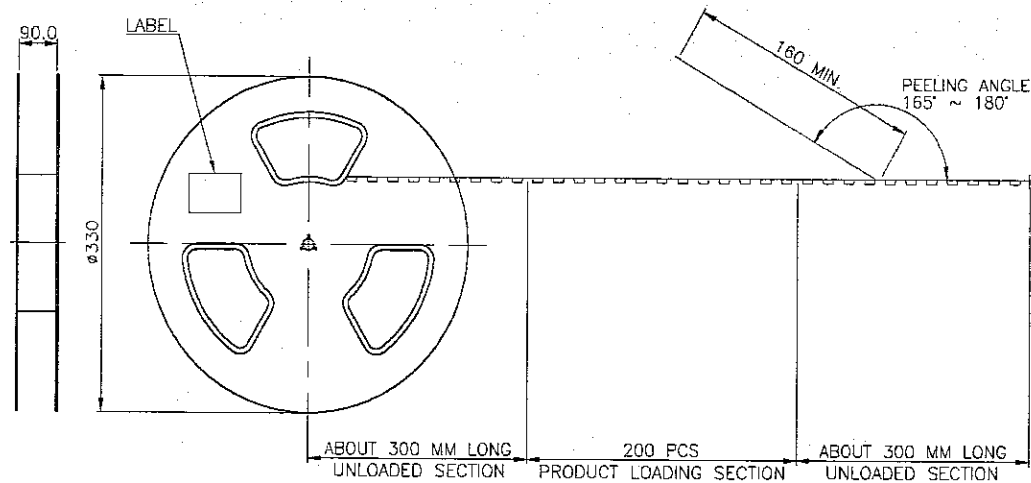
SEE SHEET 1.	ECN	DWN	CHK	DATE
REVISION RECORD				

8 7 6 5 4 3 2 1
CUSTOMER DRAWING

NUMBER C-1775063



METRIC



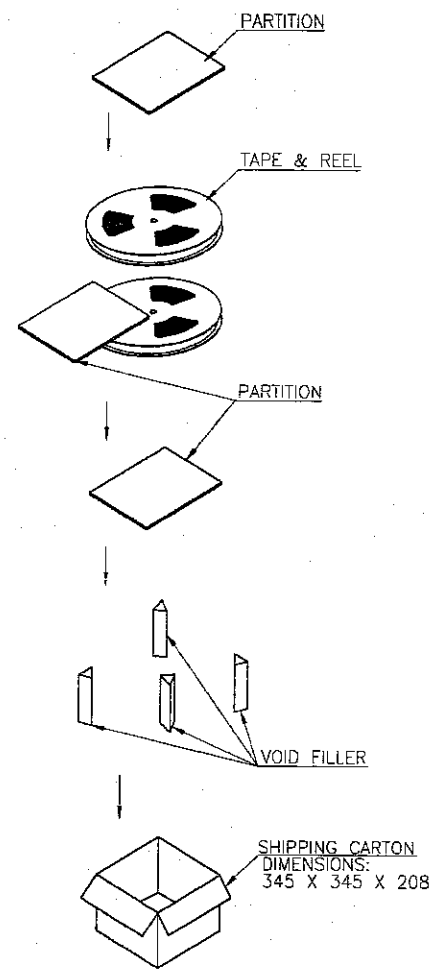
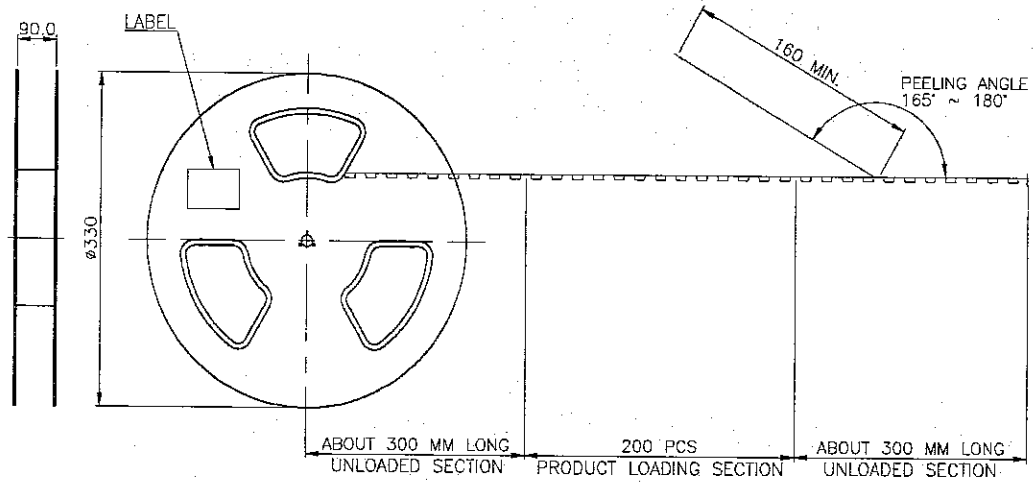
7.63	350	2	700	6.45	3.9
5.18	450		900	5.88	3.43
DIM A	PCS/REEL	REELS/CARTON	QUANTITY	G/W (KG)	N/W (KG)

TOLERANCES UNLESS OTHERWISE SPECIFIED: 0.1 PLC 0.2 P/B 0.3 P/C 0.4 P/S ANGLES	DWN	A. WU 18-MAY-2007	tyco Tyco Electronics Corporation Taipei, Taiwan		
	CHK	S. HOU 18-MAY-2007	Electronics NAME		
MATERIAL	APVD	W.J. KE 18-MAY-2007	BOARD TO BOARD CONNECTOR, 230 POSITION		
FINISH	QUALIFICATION TEST REPORT	-	LOC	SIZE	DRAWING NO
WEIGHT	-	-	DW	A ₃	C-1775063
			SCALE	SHEET	
			4 OF 4		

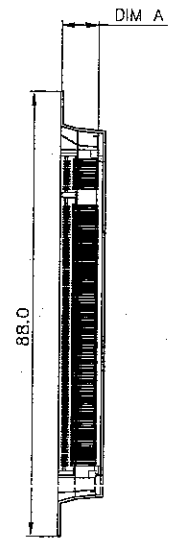
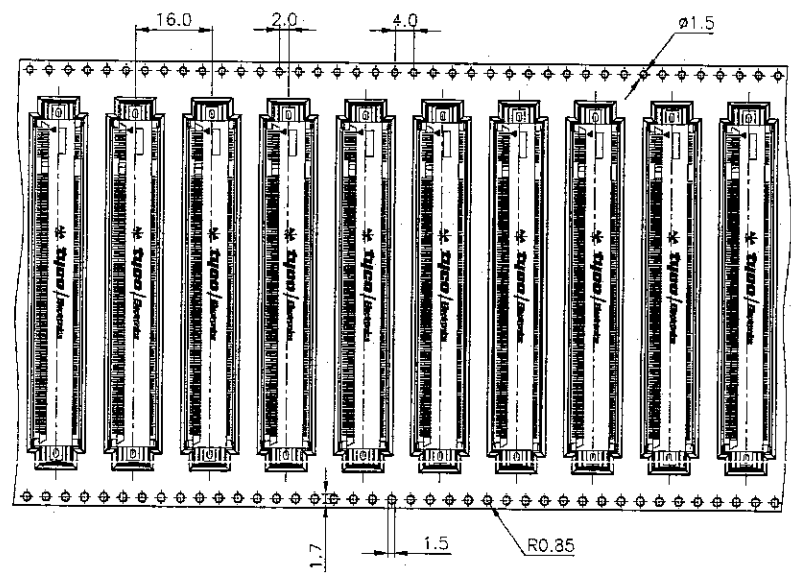
SEE SHEET 1.	ECN	DWN	CHK	DATE
LTR	REVISION RECORD			

THIS INFORMATION IS CONFIDENTIAL AND IS DISCLOSED TO YOU ON CONDITIONS THAT NO FURTHER DISCLOSURE IS MADE BY YOU TO OTHER THAN AMP PERSONNEL WITHOUT WRITTEN AUTHORIZATION FROM AMP (TAIWAN) LTD. DIMENSIONS IN MILLIMETERS. DO NOT SCALE. PRINT.

PRINT DW



USER FEED DIRECTION →



7.63	350	2	700	6.45	3.9
5.18	450		900	5.88	3.43
DIM A	PCS/REEL	REELS/CARTON	QUANTITY	C/W (KG)	N/W (KG)

TOLERANCES UNLESS OTHERWISE SPECIFIED:		REMOVE BURRS, BREAK SHARP EDGE 0.4R MAX.	
ANGLES: -		DECIMALS: 0 PLC: ±- 1 PLC: ±- 2 PLC: ±- 3 PLC: ±-	
DWN	A. WU/APVD	W.J. KE	tyco Electronics
18-MAY-2007		18-MAY-2007	
CHK	S. HOU/REL		Tyco Electronics Corporation Taipei, Taiwan
18-MAY-2007			
TERMINAL	TYPE	FIRST USED	SIZE LOC NUMBER
			A3DW 1775063
			REV A1

SEE SHEET 1.
LTR REVISION RECORD ECN DWN/CHK DATE
SCALE NAME BOARD TO BOARD CONNECTOR, 230 POSITION

THIS INFORMATION IS CONFIDENTIAL AND IS DISCLOSED TO YOU BY AGREEMENT. THAT YOU WILL NOT DISCLOSE IT TO ANY OTHER PERSON OR ENTITY WITHOUT THE WRITTEN AUTHORIZATION OF TYCO ELECTRONICS CORPORATION. ALL DIMENSIONS ARE IN MILLIMETERS. DO NOT SCALE PRINT.